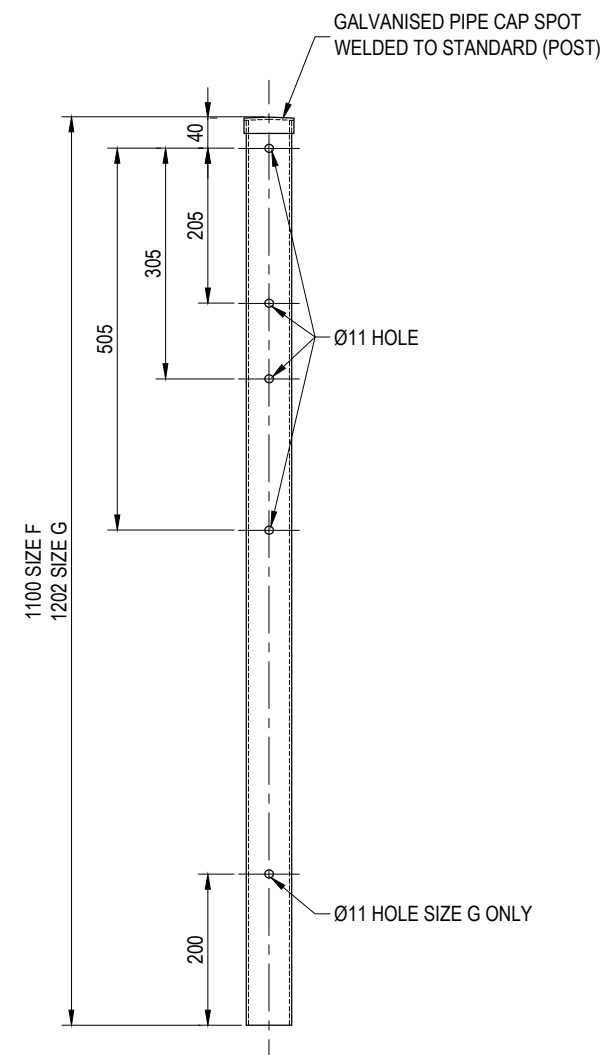


**TRAFFIC SIGN
STANDARD**

NOTES:

1. TRAFFIC SIGN STANDARD TO BE MANUFACTURED FROM GRADE C350, 60.3x2.9 CHS (50mm NOM. BORE) TO AS/NZS1163.
2. KEEP LEFT STANDARD TO BE MANUFACTURED FROM GRADE C250, 48.3x2.9 CHS (40mm NOM. BORE) TO AS/NZS1163.
3. ALL DIMENSIONS IN MILLIMETRES (U.N.O.).



**KEEP LEFT
STANDARD**

ISSUE	AMENDMENT	DRAWN DATE	CHK'D DATE	APPR'D DATE
C	Redundant Parking Meter Standard Removed, Note 2 Modified	MAY '18	AUG '18	NOV '18
B	Drawing Title Amended	FEB '16	FEB '16	FEB '16
A	Drawing Converted from UMS Series April 2014	APR '14	APR '14	APR '14

DRAWING AUTHORISED FOR PUBLICATION
 PAUL COTTON SIGNATURE ON ORIGINAL
 DATED 21/03/06 R.P.E.Q: 2546

ASSET ENGINEERING MANAGER
 STRATEGIC ASSET MANAGEMENT

DESIGN APPROVED
 B. HANSEN SIGNATURE ON ORIGINAL
 DATED 28/02/06

PRINCIPAL ENGINEER
 STRATEGIC ASSET MANAGEMENT

DESIGN	BCC	DATE	JUL '04
DRAWN	CA (DJL)	DATE	JUL '04
CHECKED	CA (GMc)	DATE	NOV '05
DRAWING FILENAME	BSD-7122 (B) Traffic signs standards (Posts).dwg		
ASSOCIATED PLANS	SUPERSEDES UMS-821		



BRISBANE CITY COUNCIL STANDARD DRAWING	
TRAFFIC SIGN STANDARDS (POSTS)	
SCALE	NOT TO SCALE
DWG No.	BSD-7122
ORIGINAL SIZE	REVISION
A3	C