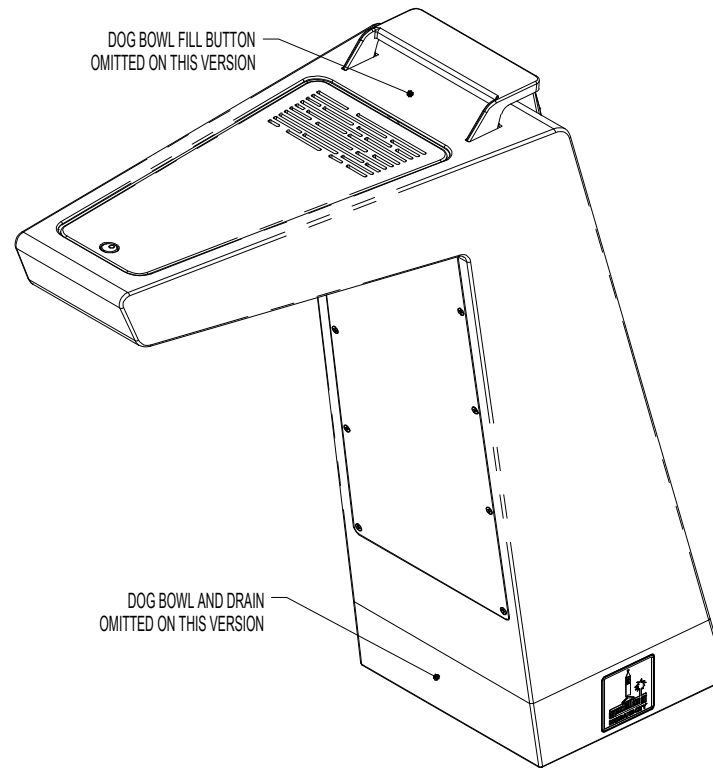
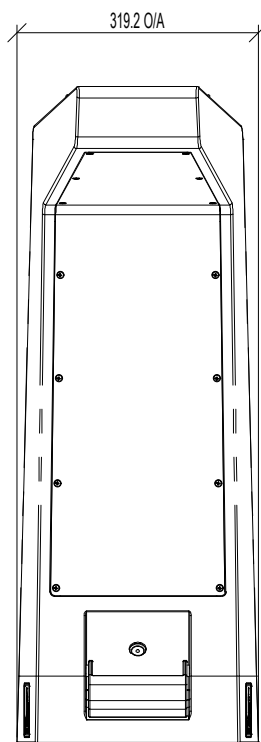


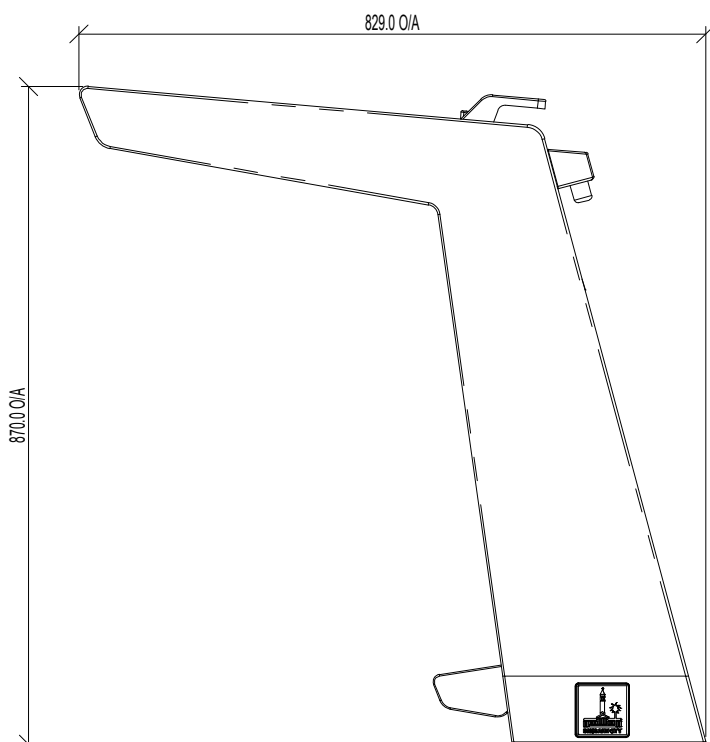
FOUNTAIN WITH DOG BOWL FEATURE



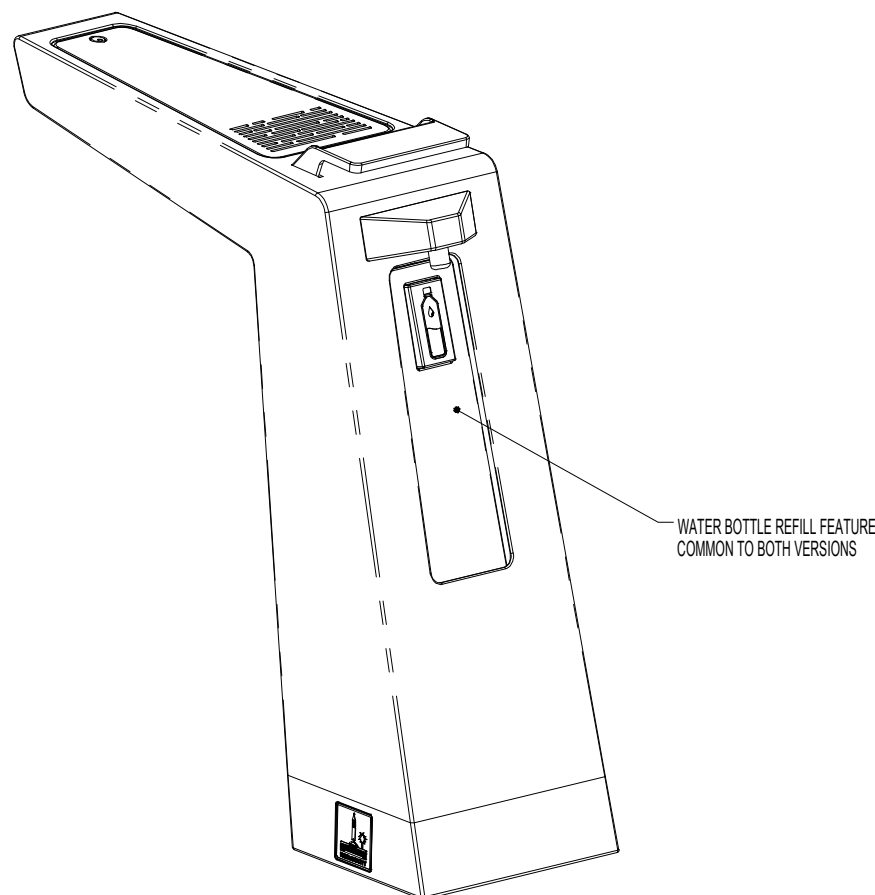
STANDARD FOUNTAIN



FRONT VIEW



SIDE VIEW



## STANDARDS

DESIGNED IN ACCORDANCE WITH, AND FABRICATION TO MEET THE FOLLOWING STANDARDS:

- AS1428.4.1:2009, TACTILE GROUND SURFACE INDICATORS FOR THE ORIENTATION OF PEOPLE WITH VISION IMPAIRMENT.
- AS1627.4 METAL FINISHING -PREPARATION AND PRE-TREATMENT OF SURFACES - ABRASIVE BLAST CLEANING OF STEEL.
- AS2312:2002/AMDT 1:2004, GUIDE TO PROTECTION OF IRON AND STEEL AGAINST EXTERIOR ATMOSPHERIC CORROSION, 1994.
- GUIDE TO ENGINEERING PRACTICE, 'PEDESTRIANS', PART 13, AUSTRROADS.
- AUSTRALIAN ROAD RULES , 1999, WWW.NRTC.GOV.AU
- AS4506 -2005, METAL FINISHING-THERMOSET POWDER COATINGS.
- AS4680:2006, HOT DIP GALVANISING.

## NOTES

- WELDING TO BE ACCORDANCE TO AS1554.1 CAT GP WELDING, ALL SHARP EDGES & BURRS REMOVED.
- PART SHOULD BE SUPPLIED CLEAN AND FREE FROM MARKS, BURRS, SCUFFS, DISTORTION AND WARPAGE.
- ENSURE ANTI-SEIZE IS ON ALL NUTS AND BOLTS PRIOR TO ASSEMBLY.
- DRAWING TO AS1100 DRAWING STANDARDS.
- 316 S.S AND 316 S.S FASTENERS TO BE USED THROUGHOUT FOR COASTAL INSTALLATIONS OR ANY ENVIRONMENT WITH HIGH CORROSION.
- ALL TOLERANCES  $\pm 1.5\text{mm}$  UNLESS OTHERWISE SPECIFIED.

## MATERIAL

- MATERIAL: SEE COMPONENT DRAWING
- COLOUR: SEE COMPONENT DRAWING
- FINISH: SEE COMPONENT DRAWING

STRUCTURAL DESIGN REVIEWED AND CERTIFIED FOR ISSUE

NAME: B.C. PLANT \_\_\_\_\_ RPEQ: 8807 \_\_\_\_\_

SIGNATURE: ON ORIGINAL \_\_\_\_\_ DATE: 10 / 05 / 18

ISSUE	AMENDMENT	DRAWN DATE	CHK'D DATE	APPR'D DATE
C	Dog Bowl Addition	MAY '18	JUN '18	NOV '18
B	Water bottle refill addition	JAN '15	JAN '15	JAN '15
A	Drawing Converted from UMS Series April 2014	APR '14	APR '14	APR '14

**DRAWING AUTHORISED FOR PUBLICATION**  
INGA CONDRC AUTHORIZED 15/04/2014

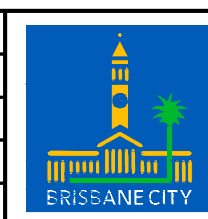
ASSET ENGINEERING MANAGER  
STRATEGIC ASSET MANAGEMENT

**DESIGN APPROVED**

VICKI MARTIN SIGNATURE ON ORIGINAL

PRINCIPAL PLANNING OFFICER  
URBAN DESIGN

DESIGN	FORMZOO DESIGN	DATE	JUN '12
DRAWN	AB	DATE	JUN '12
CHECKED	VM	DATE	APR '13
DRAWING FILENAME	BSD-7331 (C) Drinking fountain - Sheet 1 of 27		
ASSOCIATED PLANS	SUPERSEDES UMS-569		



BRISBANE CITY COUNCIL STANDARD DRAWING	
DRINKING FOUNTAIN SHEET 1 OF 27	SCALE: 1:10 DWG No. BSD-7331 ORIGINAL SIZE: A3 REVISION: C