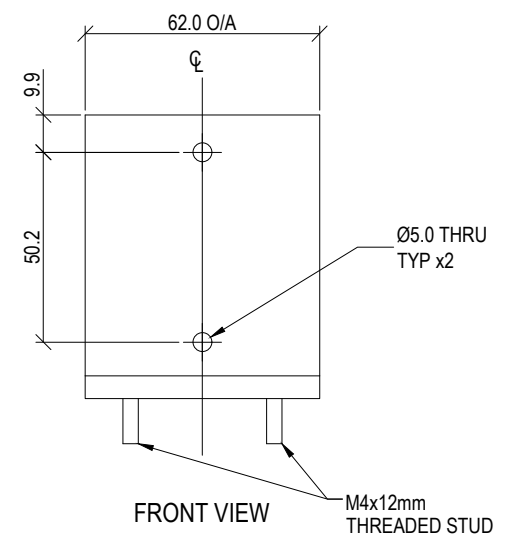
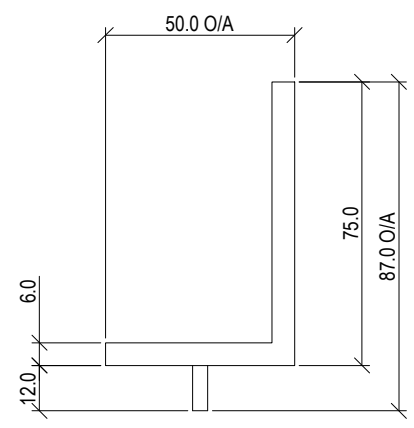


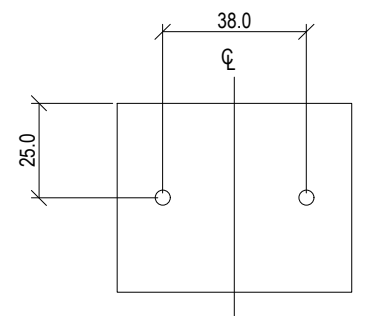
PICTORIAL VIEWS



FRONT VIEW



SIDE VIEW



BOTTOM VIEW

STANDARDS

DESIGNED IN ACCORDANCE WITH, AND FABRICATION TO MEET THE FOLLOWING STANDARDS:

1. AS1428.4.1:2009, TACTILE GROUND SURFACE INDICATORS FOR THE ORIENTATION OF PEOPLE WITH VISION IMPAIRMENT.
2. AS1627.4 METAL FINISHING -PREPARATION AND PRE-TREATMENT OF SURFACES - ABRASIVE BLAST CLEANING OF STEEL.
3. AS2312:2002/AMDT 1:2004, GUIDE TO PROTECTION OF IRON AND STEEL AGAINST EXTERIOR ATMOSPHERIC CORROSION, 1994.
4. GUIDE TO ENGINEERING PRACTICE, 'PEDESTRIANS', PART 13, AUSTRROADS.
5. AUSTRALIAN ROAD RULES , 1999, WWW.NRTC.GOV.AU
6. AS4506 -2005, METAL FINISHING-THERMOSET POWDER COATINGS.
7. AS4680:2006, HOT DIP GALVANISING.

NOTES

1. WELDING TO BE ACCORDANCE TO AS1554.1 CAT GP WELDING, ALL SHARP EDGES & BURRS REMOVED.
2. PART SHOULD BE SUPPLIED CLEAN AND FREE FROM MARKS, BURRS, SCUFFS, DISTORTION AND WARPAGE.
3. ENSURE ANTI-SEIZE IS ON ALL NUTS AND BOLTS PRIOR TO ASSEMBLY.
4. DRAWING TO AS1100 DRAWING STANDARDS.
5. 316 S.S AND 316 S.S FASTENERS TO BE USED THROUGHOUT FOR COASTAL INSTALLATIONS OR ANY ENVIRONMENT WITH HIGH CORROSION.
6. ALL TOLERANCES ± 0.5mm UNLESS OTHERWISE SPECIFIED.

MATERIAL

1. MATERIAL: 316 STAINLESS STEEL
2. COLOUR: NATURAL
3. FINISH: DEBURRED

STRUCTURAL DESIGN REVIEWED AND CERTIFIED FOR ISSUE	
NAME: B.C. PLANT	RPEQ: 8807
SIGNATURE: ON ORIGINAL	DATE: 10/ 05/ 18

ISSUE	AMENDMENT	DRAWN DATE	CHK'D DATE	APPR'D DATE
C	Dog Bowl Addition	MAY '18	JUN '18	NOV '18
B	Drawing Title Amended	FEB '16	JUL '16	JUL '16
A	Drawing Converted from UMS Series April 2014	APR '14	APR '14	APR '14

DRAWING AUTHORISED FOR PUBLICATION
INGA CONDRIK AUTHORISED 15/04/2014

ASSET ENGINEERING MANAGER
STRATEGIC ASSET MANAGEMENT

DESIGN APPROVED

VICKI MARTIN SIGNATURE ON ORIGINAL

PRINCIPAL PLANNING OFFICER
URBAN DESIGN

DESIGN	FORMZOO DESIGN	DATE	JUN '12
DRAWN	AB	DATE	JUN '12
CHECKED	VM	DATE	APR '13
DRAWING FILENAME	BSD-7331 (C) Drinking fountain - Valve mount - Sheet 21 of 27		
ASSOCIATED PLANS	SUPERSEDES UMS-569		



BRISBANE CITY COUNCIL STANDARD DRAWING	
DRINKING FOUNTAIN VALVE MOUNT SHEET 21 OF 27	
SCALE	1:2
DWG No.	BSD-7331
ORIGINAL SIZE	A3
REVISION	C