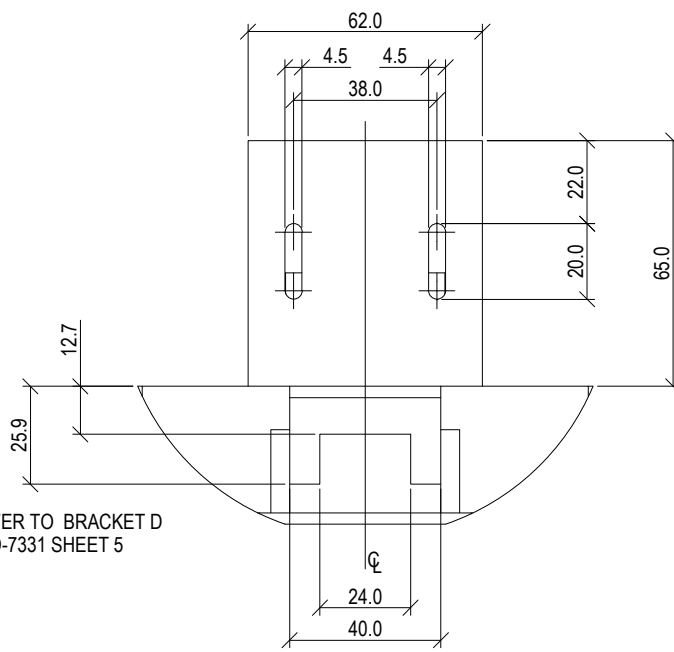
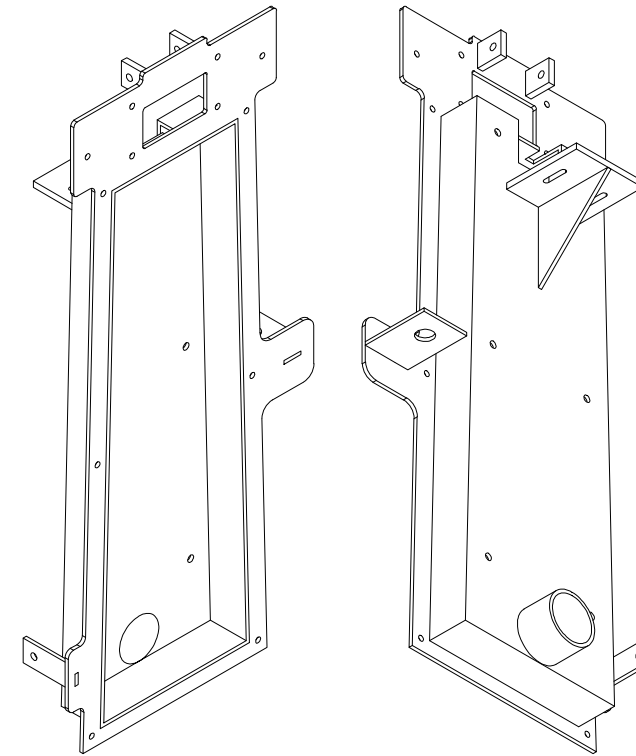


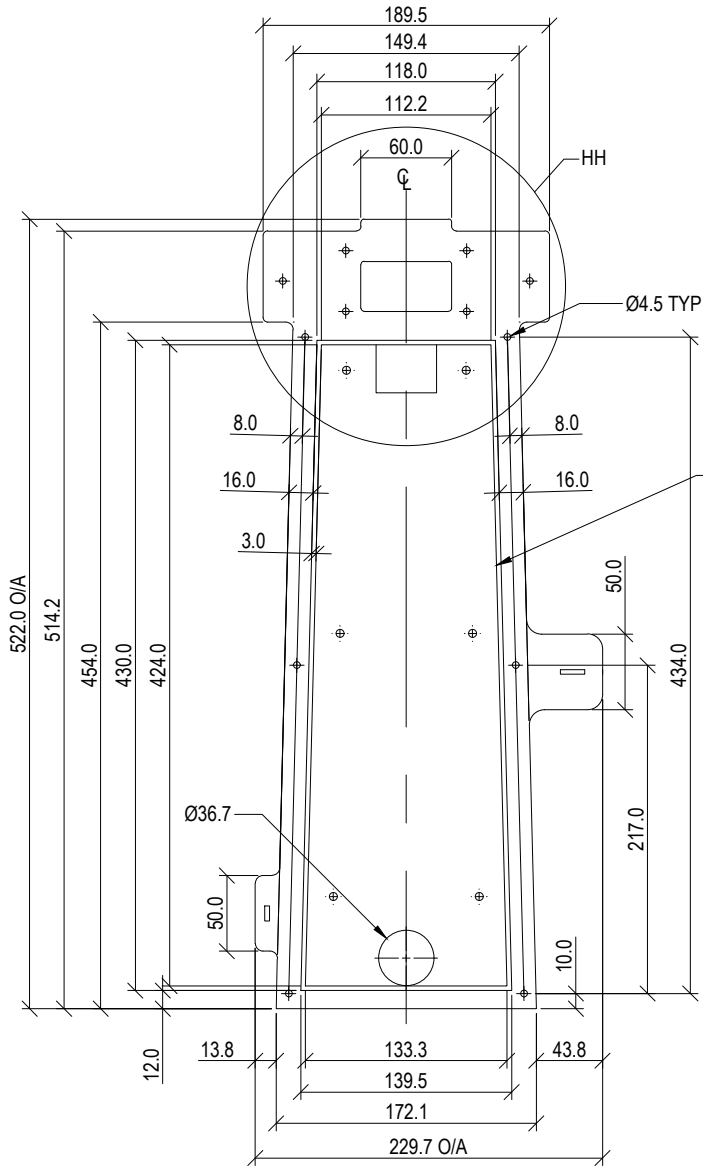
TOP VIEW



DETAIL GG MOUNTING PLATE DETAIL SCALE 1 : 2

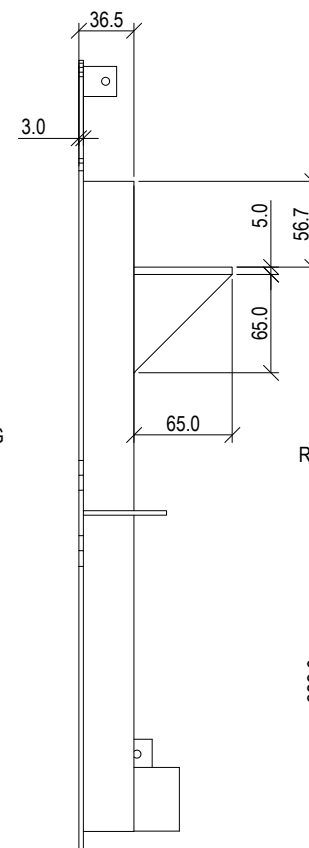


PICTORIAL VIEWS

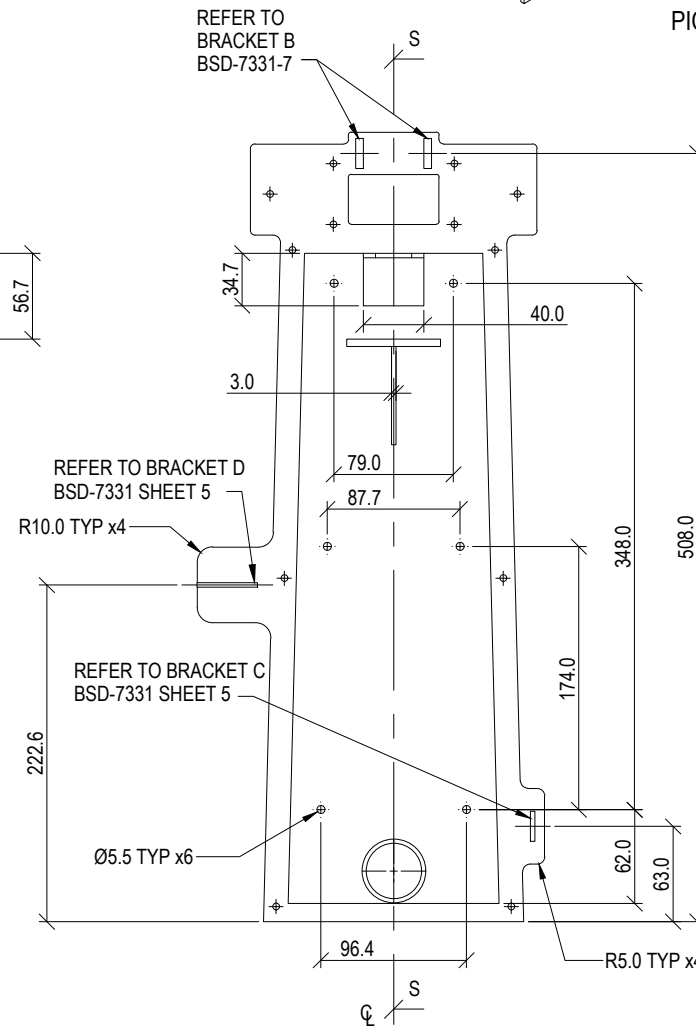


FRONT VIEW

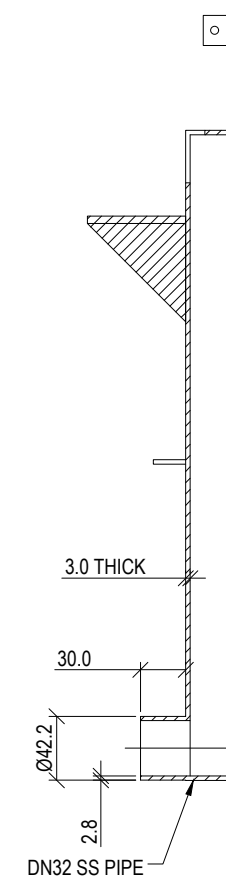
INTERNAL PROFILE TO LINE UP WITH VERTICAL DRAIN RECESS IN FOUNTAIN BODY. REFER TO DRAWING BSD-7331 SHEET 15.



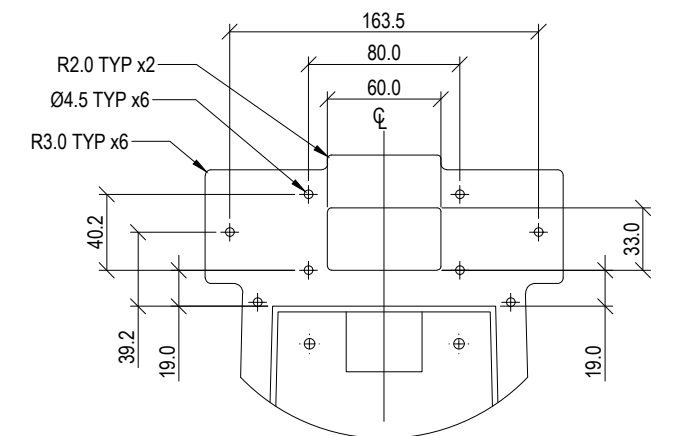
SIDE VIEW



BACK VIEW



SECTION S-S



DETAIL HH VALVE MOUNT HOLE DETAIL SCALE 1 : 4

### STANDARDS

DESIGNED IN ACCORDANCE WITH, AND FABRICATION TO MEET THE FOLLOWING STANDARDS:

- AS1428.4.1:2009, TACTILE GROUND SURFACE INDICATORS FOR THE ORIENTATION OF PEOPLE WITH VISION IMPAIRMENT.
- AS1627.4 METAL FINISHING -PREPARATION AND PRE-TREATMENT OF SURFACES - ABRASIVE BLAST CLEANING OF STEEL.
- AS2312:2002/AMDT 1:2004, GUIDE TO PROTECTION OF IRON AND STEEL AGAINST EXTERIOR ATMOSPHERIC CORROSION, 1994.
- GUIDE TO ENGINEERING PRACTICE, 'PEDESTRIANS', PART 13, AUSTRROADS.
- AUSTRALIAN ROAD RULES , 1999, WWW.NRTC.GOV.AU
- AS4506 -2005. METAL FINISHING-THERMOSET POWDER COATINGS.
- AS4680:2006, HOT DIP GALVANISING.

### NOTES

- WELDING TO BE ACCORDANCE TO AS1554.1 CAT GP WELDING, ALL SHARP EDGES & BURRS REMOVED.
- PART SHOULD BE SUPPLIED CLEAN AND FREE FROM MARKS, BURRS, SCUFFS, DISTORTION AND WARPAGE.
- ENSURE ANTI-SEIZE IS ON ALL NUTS AND BOLTS PRIOR TO ASSEMBLY.
- DRAWING TO AS1100 DRAWING STANDARDS.
- 316 S.S AND 316 S.S FASTENERS TO BE USED THROUGHOUT FOR COASTAL INSTALLATIONS OR ANY ENVIRONMENT WITH HIGH CORROSION.
- ALL TOLERANCES ± 1.5mm UNLESS OTHERWISE SPECIFIED.

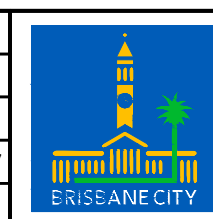
### MATERIAL

- MATERIAL: 316 STAINLESS STEEL
- COLOUR: NATURAL
- FINISH: DEBURRED

<b>STRUCTURAL DESIGN REVIEWED AND CERTIFIED FOR ISSUE</b>			
NAME: B.C. PLANT	RPEQ: 8807		
SIGNATURE: ON ORIGINAL	DATE: 10/ 05/ 18		

ISSUE	AMENDMENT	DRAWN DATE	CHK'D DATE	APPR'D DATE
C	Dog Bowl Addition	MAY '18	JUN '18	NOV '18
B	Drawing Title Amended	FEB '16	JUL '16	JUL '16
A	Drawing Converted from UMS Series April 2014	APR '14	APR '14	APR '14

<b>DRAWING AUTHORISED FOR PUBLICATION</b> INGA CONDRC AUTHORISED 15/04/2014			
DESIGN	FORMZOO DESIGN	DATE	JUN '12
DRAWN	AB	DATE	JUN '12
CHECKED	VM	DATE	APR '13
DRAWING FILENAME	BSD-7331 (C) Drinking fountain - Vertical basin - Sheet 19 of 27		
ASSOCIATED PLANS	SUPERSEDES UMS-569		



<b>BRISBANE CITY COUNCIL STANDARD DRAWING</b>	
DRINKING FOUNTAIN VERTICAL BASIN SHEET 19 OF 27	
SCALE 1:5	DWG No. <b>BSD-7331</b>
ORIGINAL SIZE <b>A3</b>	REVISION <b>C</b>