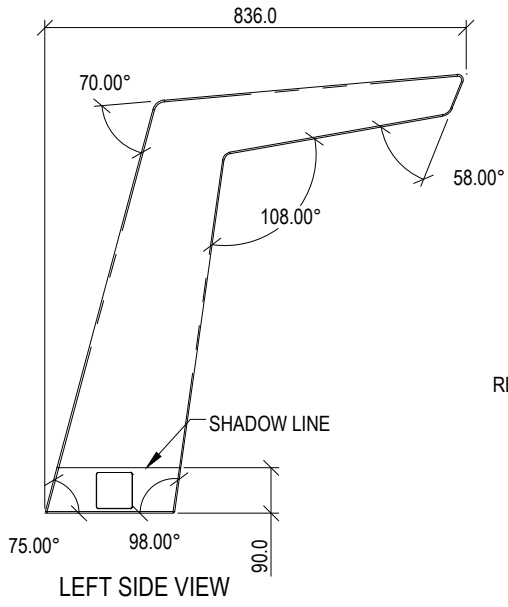
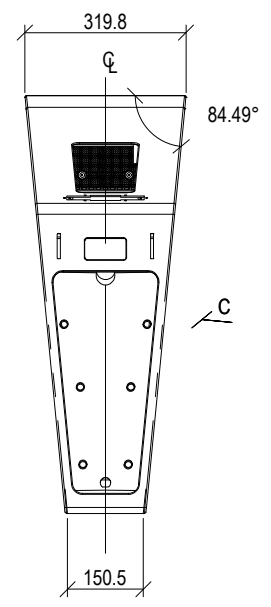


PICTORIAL VIEW DOG BOWL VERSION SCALE 1 : 15

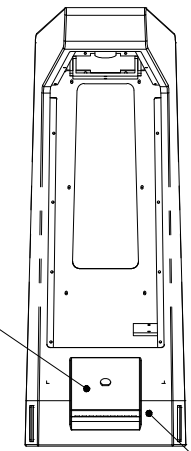


LEFT SIDE VIEW

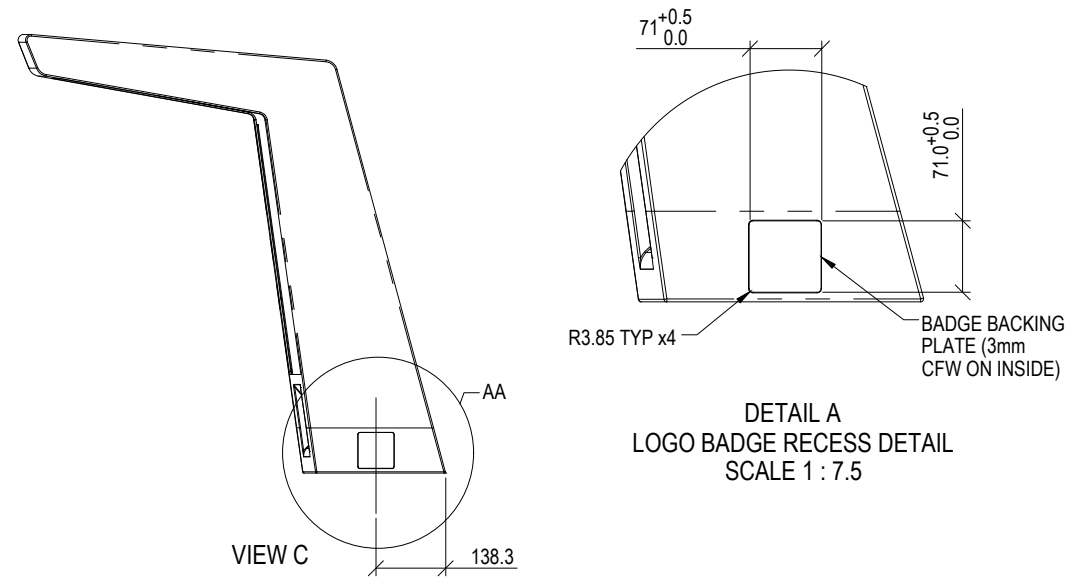
FOR DIMENSIONAL DETAILS OF DOG BOWL DRAIN AREA REFER TO BSD-7331 SHEET 26



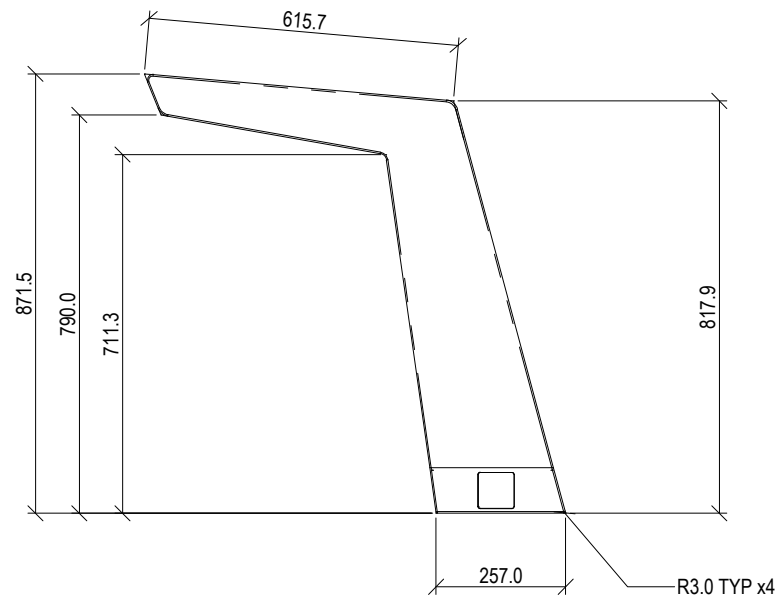
TOP VIEW



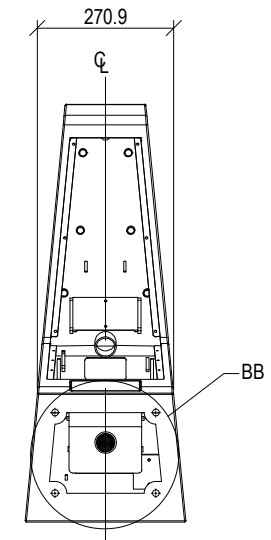
FRONT VIEW



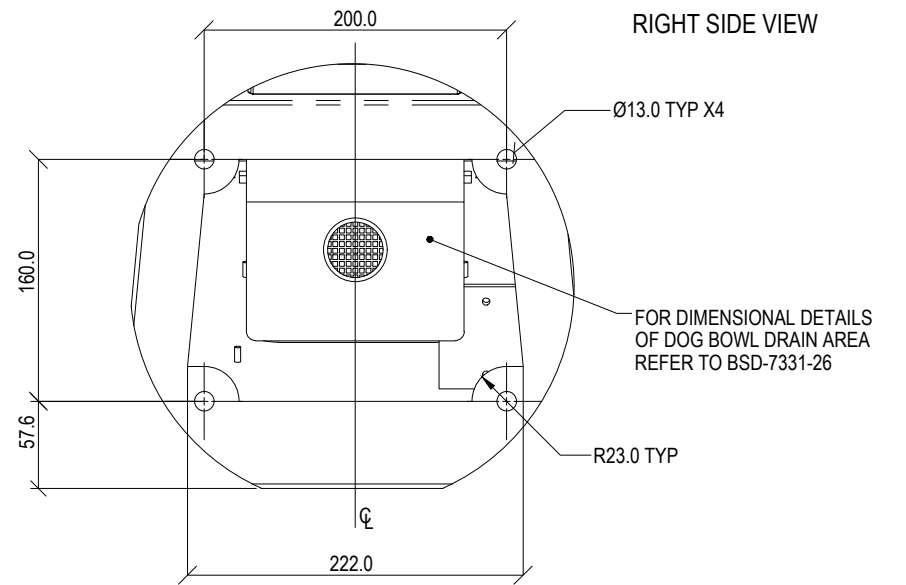
DETAIL A LOGO BADGE RECESS DETAIL SCALE 1 : 7.5



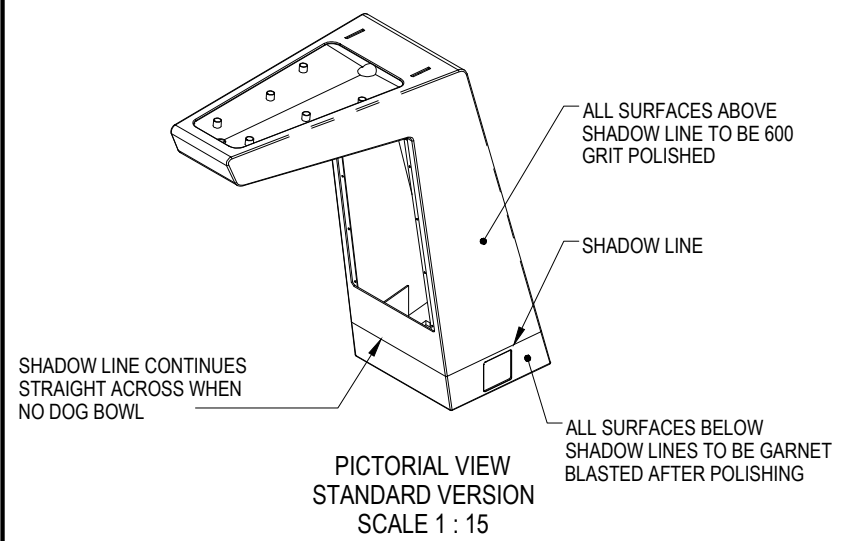
RIGHT SIDE VIEW



BOTTOM VIEW



DETAIL BB BASE DETAIL SCALE 1 : 5



PICTORIAL VIEW STANDARD VERSION SCALE 1 : 15

### STANDARDS

DESIGNED IN ACCORDANCE WITH, AND FABRICATION TO MEET THE FOLLOWING STANDARDS:

- AS1428.4.1:2009, TACTILE GROUND SURFACE INDICATORS FOR THE ORIENTATION OF PEOPLE WITH VISION IMPAIRMENT.
- AS1627.4 METAL FINISHING -PREPARATION AND PRE-TREATMENT OF SURFACES - ABRASIVE BLAST CLEANING OF STEEL.
- AS2312:2002/AMDT 1:2004, GUIDE TO PROTECTION OF IRON AND STEEL AGAINST EXTERIOR ATMOSPHERIC CORROSION, 1994.
- GUIDE TO ENGINEERING PRACTICE, 'PEDESTRIANS', PART 13, AUSTRROADS.
- AUSTRALIAN ROAD RULES , 1999, WWW.NRTC.GOV.AU
- AS4506 -2005, METAL FINISHING-THERMOSET POWDER COATINGS.
- AS4680:2006, HOT DIP GALVANISING.

### NOTES

- WELDING TO BE ACCORDANCE TO AS1554.1 CAT GP WELDING, ALL SHARP EDGES & BURRS REMOVED.
- PART SHOULD BE SUPPLIED CLEAN AND FREE FROM MARKS, BURRS, SCUFFS, DISTORTION AND WARPAGE.
- ENSURE ANTI-SEIZE IS ON ALL NUTS AND BOLTS PRIOR TO ASSEMBLY.
- DRAWING TO AS1100 DRAWING STANDARDS.
- 316 S.S AND 316 S.S FASTENERS TO BE USED THROUGHOUT FOR COASTAL INSTALLATIONS OR ANY ENVIRONMENT WITH HIGH CORROSION.
- ALL TOLERANCES ± 1.5mm UNLESS OTHERWISE SPECIFIED.
- FULLY WELD ALL JOINING MATERIAL- 3mm FILLET.

### MATERIAL

- MATERIAL: 316 STAINLESS STEEL
- COLOUR: NATURAL
- FINISH: 600 GRIT POLISHED / GARNET BLASTED

<b>STRUCTURAL DESIGN REVIEWED AND CERTIFIED FOR ISSUE</b>	
NAME: <u>B.C. PLANT</u>	RPEQ: <u>8807</u>
SIGNATURE: <u>ON ORIGINAL</u>	DATE: <u>10/ 05/ 18</u>

ISSUE	AMENDMENT	DRAWN DATE	CHK'D DATE	APPR'D DATE
D	Dog Bowl Addition	MAY '18	JUN '18	NOV '18
C	Drawing Title Amended	FEB '16	JUL '18	JUL '16
B	Water bottle refill addition	JAN '15	JAN '15	JAN '15
A	Drawing Converted from UMS Series April 2014	APR '14	APR '14	APR '14

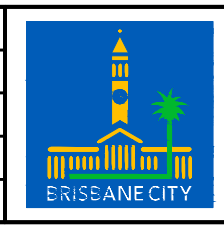
**DRAWING AUTHORISED FOR PUBLICATION**  
INGA CONDRC AUTHORIZED 15/04/2014

ASSET ENGINEERING MANAGER  
STRATEGIC ASSET MANAGEMENT

**DESIGN APPROVED**  
VICKI MARTIN SIGNATURE ON ORIGINAL

PRINCIPAL PLANNING OFFICER  
URBAN DESIGN

DESIGN	FORMZ00 DESIGN	DATE	JUN '12
DRAWN	AB	DATE	JUN '12
CHECKED	VM	DATE	APR '13
DRAWING FILENAME	BSD-7331 (D) Drinking fountain - Body - Sheet 4 of 27		
ASSOCIATED PLANS	SUPERSEDES UMS-569		



<b>BRISBANE CITY COUNCIL STANDARD DRAWING</b>	
DRINKING FOUNTAIN BODY SHEET 4 OF 27	
SCALE	1:15
DWG No.	BSD-7331
ORIGINAL SIZE	A3
REVISION	D