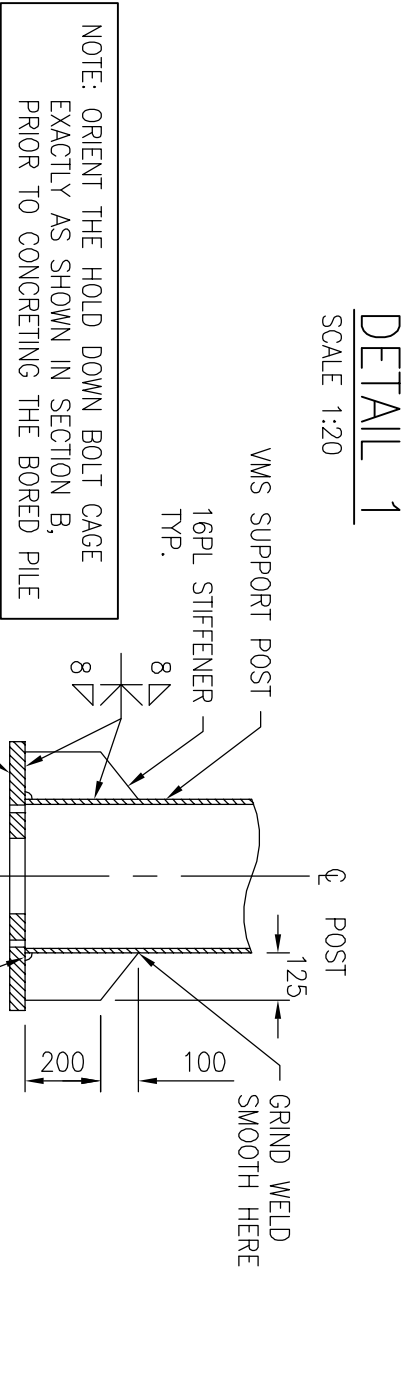
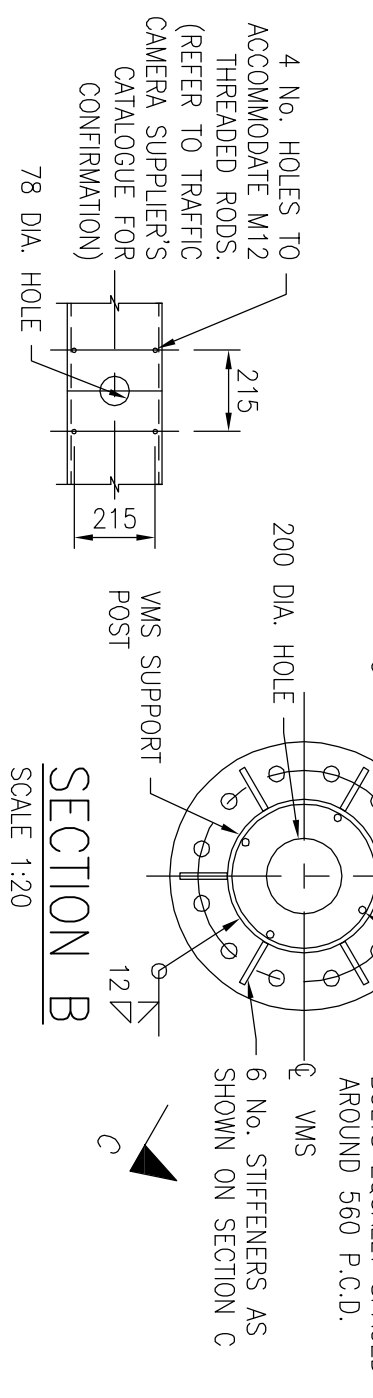
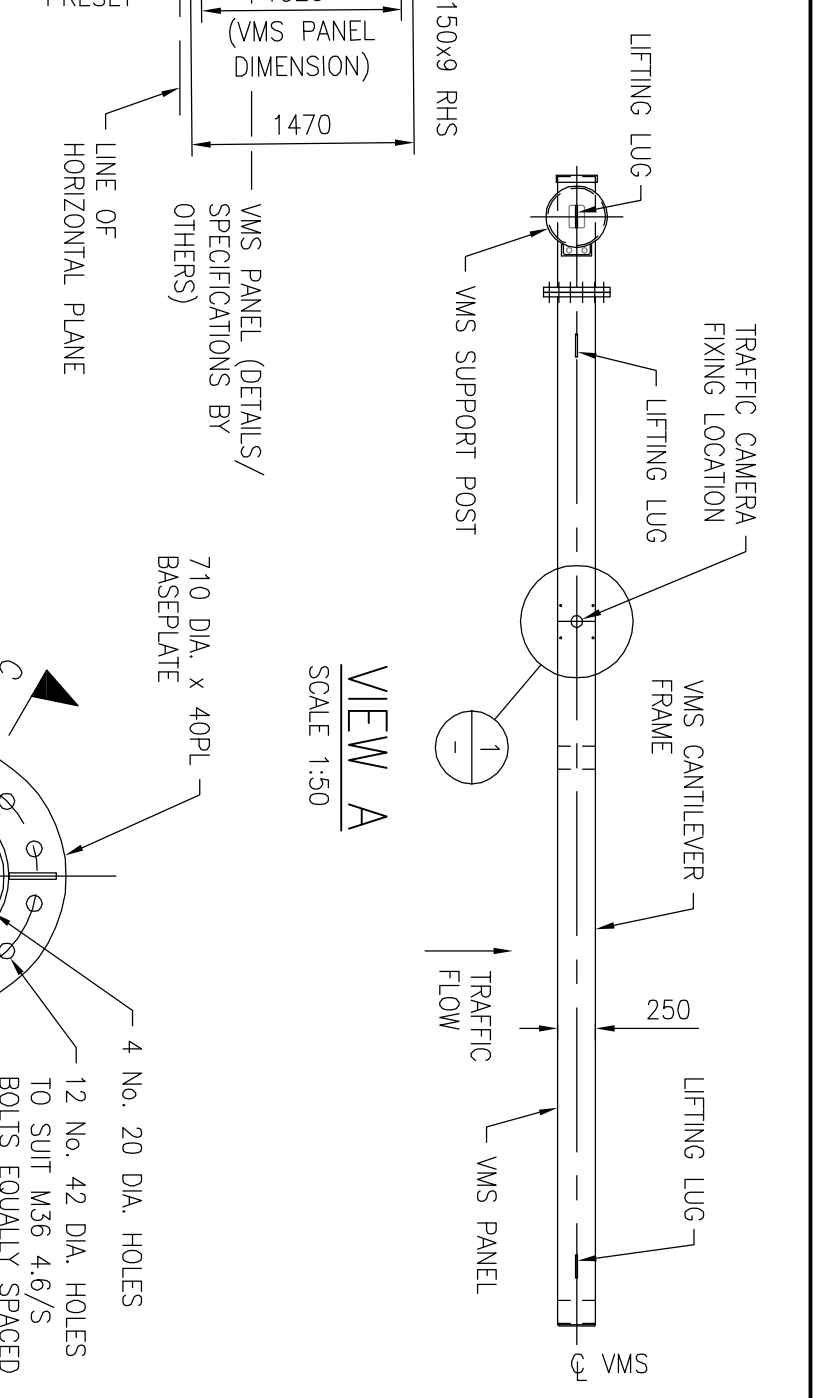


- NOTES**
1. VERIFY FRAME DIMENSIONS SHOWN THUS (*) WITH THE VMS SUPPLIER PRIOR TO FABRICATION.
 2. FIXING DETAILS OF THE VMS PANEL TO THE FRAME ARE NOT SHOWN IN THESE DRAWINGS. THE FRAME FABRICATOR SHALL LAISE WITH THE VMS PANEL SUPPLIER AND INCORPORATE PANEL FIXING DETAILS TO THIS FRAME AS REQUIRED.
 3. SURFACE RUNOFF NEAR FOOTING SHALL BE DIRECTED AWAY FROM THE FOOTING TO AVOID SATURATION OF SOIL IN THE VICINITY OF THE FOOTING.



DETAIL 1
SCALE 1:20

STRUCTURAL DESIGN CERTIFICATION

DESIGN	DESIGN CHECK	AUTHORISED FOR ISSUE
--------	--------------	----------------------

DRAWING AUTHORISED FOR PUBLICATION		DESIGN	D.R.	DATE	Oct '13
F ^o ASSET ENGINEERING MANAGER STRATEGIC ASSET MANAGEMENT DESIGN APPROVED Eric Bradley Signature on Original Dec 2013		DRAWN	D.M.	DATE	Oct '13
Intelligent Transport Systems Manager		CHECKED	L.M.	DATE	Oct '13
ISSUE	AMENDMENT	DRAWN DATE	CHK'D DATE	APPR'D DATE	
A	ORIGINAL ISSUE	Oct '13	Oct '13	Oct '13	

BRISBANE CITY COUNCIL STANDARD DRAWING

VMS SUPPORT STRUCTURE
TYPE BCC-VC SHEET 3 OF 5
FRAME ARRANGEMENT

SCALE: AS SHOWN
DWG No. BSD-4311
ORIGINAL SIZE: A3
REVISION: A