

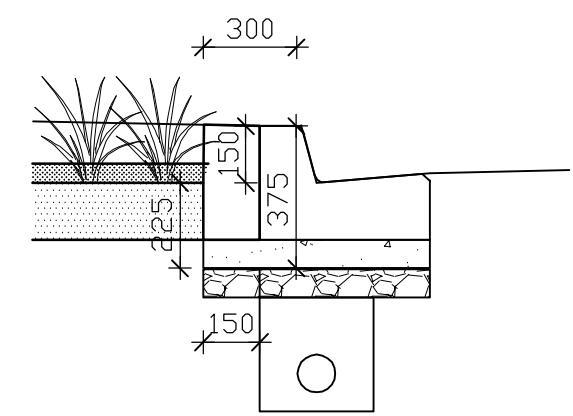
**A** WATER SMART TREE WITHIN TURF – TYPICAL SECTION  
9034

DESIGN REVIEWED & CERTIFIED FOR ISSUE  
 NAME: MARK R. GIBSON RPEQ: 6722  
 SIGNATURE: SIGNATURE ON ORIGINAL DATE: 03/04/14

**NOTES**

- STREET TREE STANDARD NOTES:
1. SYSTEM IS TO BE CONSTRUCTED IN ACCORDANCE WITH THE WATER BY DESIGN 'CONSTRUCTION AND ESTABLISHMENT GUIDELINES.'
  2. STORMWATER KERB OPENING IS TO BE TEMPORARILY BLOCKED DURING CONSTRUCTION.
  3. FILTER MEDIA, TRANSITION LAYER AND DRAINAGE LAYER IN ACCORDANCE WITH THE "GUIDELINES FOR SOIL MEDIA IN BIO-RETENTION SYSTEMS", FACILITY FOR ADVANCING WATER BIO-FILTRATION (FAWB).
  4. UNDER-DRAIN, SLOTTED RIGID PIPE UPVC/HDPE OR SIMILAR TO AS 2439.1) OR APPROVED EQUIVALENT, 0.5% MINIMUM GRADE. DIAMETER TYPICALLY 100. PIPE JOINS SHALL BE GLUED WITH PLUMBING CEMENT. PIPE SHALL NOT BE INSTALLED WITH A FILTER SOCK SURROUNDING PIPE. UNDER-DRAINAGE PIPES SHALL BE SEALED INTO PITS USING GROUTS OR OTHER APPROVED WATERTIGHT SEAL. MINIMUM 50MM DRAINAGE LAYER OVER UNDERDRAINAGE PIPE.
  5. FILTER CLOTH – NON-WOVEN GEOTEXTILE. FILTER CLOTH NOT TO BE PLACED BETWEEN ANY FILTER LAYERS. IMPERVIOUS LINER MAY BE REQUIRED ADJACENT TO ROADS AND MAY ALSO BE REQUIRED ELSEWHERE SUBJECT TO SOIL TESTING REQUIREMENTS IN ACCORDANCE WITH THE 'BIORETENTION TECHNICAL DESIGN GUIDELINES' (WATER BY DESIGN).
  6. VEGETATION: PLANT SPECIES AND LAYOUT TO BE DETERMINED ON A PROJECT BY PROJECT BASIS. PLANT SPECIFICATION AND DENSITY SHALL BE IN ACCORDANCE WITH "BIORETENTION TECHNICAL DESIGN GUIDELINES" (WATER BY DESIGN) AND BRISBANE CITY COUNCIL'S INFRASTRUCTURE DESIGN PLANNING SCHEME POLICY. TREE SPECIES TO BE SELECTED AS PER THE CENTRES DETAIL DESIGN MANUAL AND ALSO CONSIDERING THEIR SUITABILITY FOR WET AND DRY CONDITIONS. REFER TO NEW PLANTING STANDARD DRAWING.
  7. MULCH: 75MM MULCH LAYER TO BE ORGANIC AND FRIABLE, SUCH AS SUGARCANE MULCH. MULCH TO BE SECURED WITH JUTE MESH TO MANUFACTURERS SPECIFICATIONS.

- SECTION NOTES:
1. THIS PLAN IS TO BE READ IN CONJUNCTION WITH BSD 9034. REFER TO BSD-9034 FOR PLAN VIEW DETAILS AND NOTES.
  2. PROVISION FOR SAFETY OF PEDESTRIANS AND OTHER USERS SHALL BE IN ACCORDANCE WITH AUSTRROADS REQUIREMENTS SUCH AS LIMITING DEPTH OF VERTICAL DROPS.
  3. MAINTAIN 50-100MM RADIUS SEPARATION BETWEEN MULCH AND STEM OF TREE.
  4. DROP FROM KERB BACKING STRIP TO FILTER SURFACE NOT TO EXCEED 250MM.
  5. KERB ADAPTORS ARE NOT TO BE DIRECTLY PLUMBED INTO SYSTEM.
  6. TREE PITS MAY BE LINKED VIA SUITABLY SIZED DRAINAGE PIPE WHERE DISTANCE TO NEAREST GULLY EXCEEDS 30M.



**B** KERB BACKING STRIP DETAILS  
9034

VERIFY LOCATION OF SERVICES PRIOR TO EXCAVATION.

|       |                                               |            |            |             |                                                                                                                                                    |                  |              |      |         |
|-------|-----------------------------------------------|------------|------------|-------------|----------------------------------------------------------------------------------------------------------------------------------------------------|------------------|--------------|------|---------|
|       |                                               |            |            |             | DESIGN AUTHORIZED FOR PUBLICATION<br>Inga Condric Authorised<br>Original 14/04/2014<br>FOR ASSET ENGINEERING MANAGER<br>STRATEGIC ASSET MANAGEMENT | DESIGN           | CP0 - P&D    | DATE | Apr '14 |
|       |                                               |            |            |             | DESIGN APPROVED                                                                                                                                    | DRAWN            | CP0 - P&D    | DATE | Apr '14 |
| B     | CLARIFICATION & IMPROVEMENT TO NOTES & DESIGN | Nov '16    | Nov '16    | Dec '16     |                                                                                                                                                    | CHECKED          | M. GIBSON    | DATE | Apr '14 |
| A     | ORIGINAL ISSUE                                | Apr '14    | Apr '14    | Apr '14     |                                                                                                                                                    | DRAWING FILENAME | BSD-9035.dwg |      |         |
| ISSUE | AMENDMENT                                     | DRAWN DATE | CHK'D DATE | APPR'D DATE | PRINCIPAL PROGRAM OFFICER<br>NATURAL ENVIRONMENT WATER & SUSTAINABILITY                                                                            | ASSOCIATED PLANS |              |      |         |



**BRISBANE CITY COUNCIL STANDARD DRAWING**

WSUD TREE WITHIN TURF – SECTION

SCALE: NOT TO SCALE  
 DWG No: BSD-9035  
 ORIGINAL SIZE: A3 REVISION: B