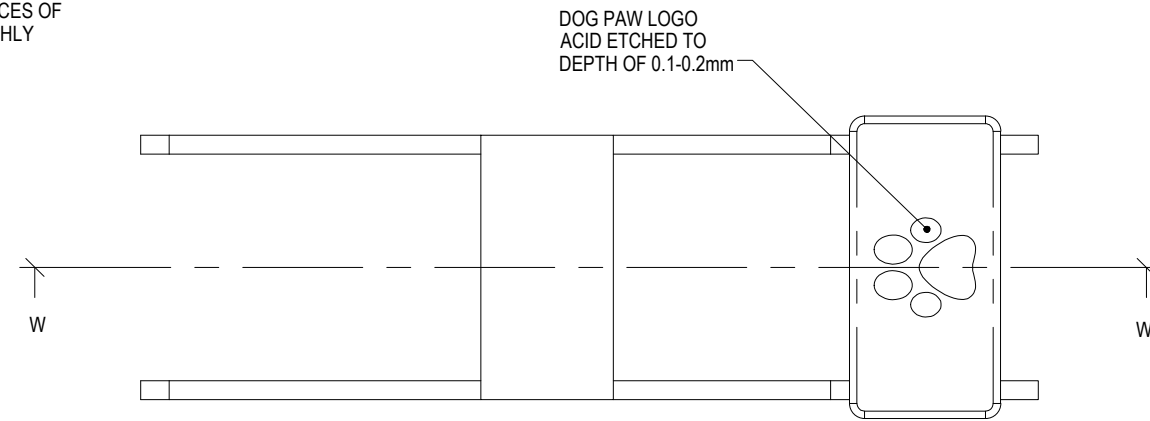
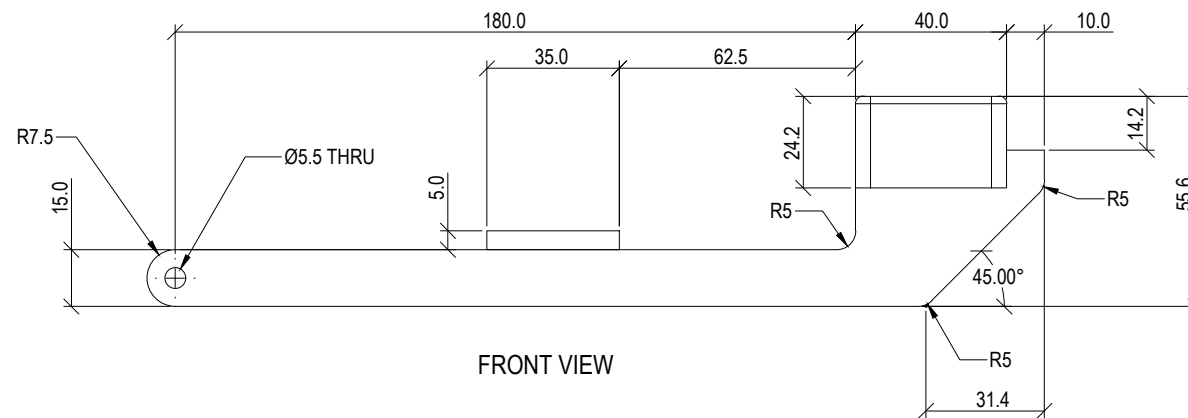


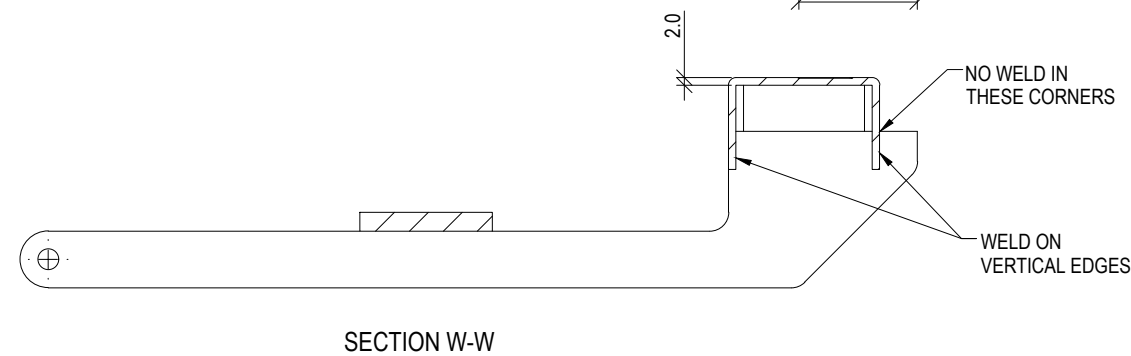
PICTORIAL VIEW



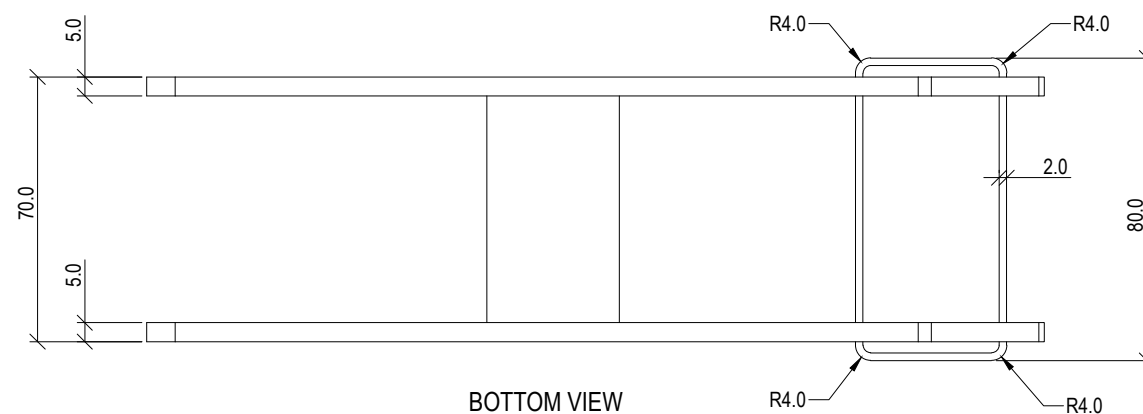
TOP VIEW



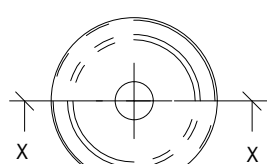
FRONT VIEW



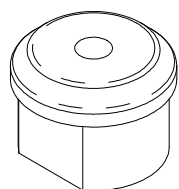
SECTION W-W



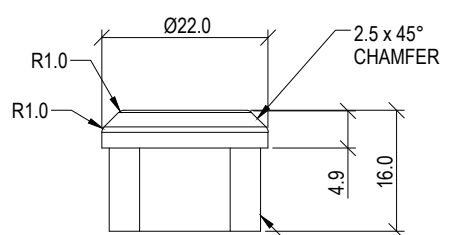
BOTTOM VIEW



TOP VIEW

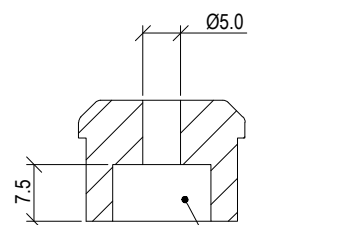


PICTORIAL VIEW

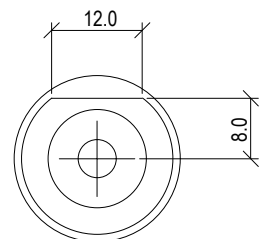


FRONT VIEW

M20 THREAD



SECTION X-X
SCALE 1 : 1



BOTTOM VIEW

DOG BOWL NOZZLE
SCALE 1:1

STANDARDS

DESIGNED IN ACCORDANCE WITH, AND FABRICATION TO MEET THE FOLLOWING STANDARDS:

- AS1428.4.1:2009, TACTILE GROUND SURFACE INDICATORS FOR THE ORIENTATION OF PEOPLE WITH VISION IMPAIRMENT.
- AS1627.4 METAL FINISHING -PREPARATION AND PRE-TREATMENT OF SURFACES - ABRASIVE BLAST CLEANING OF STEEL.
- AS2312:2002/AMDT 1:2004, GUIDE TO PROTECTION OF IRON AND STEEL AGAINST EXTERIOR ATMOSPHERIC CORROSION, 1994.
- GUIDE TO ENGINEERING PRACTICE, 'PEDESTRIANS', PART 13, AUSTRROADS.
- AUSTRALIAN ROAD RULES , 1999, WWW.NRTC.GOV.AU
- AS4506 -2005, METAL FINISHING-THERMOSET POWDER COATINGS.
- AS4680:2006, HOT DIP GALVANISING.

NOTES

- WELDING TO BE ACCORDANCE TO AS1554.1 CAT GP WELDING, ALL SHARP EDGES & BURRS REMOVED.
- PART SHOULD BE SUPPLIED CLEAN AND FREE FROM MARKS, BURRS, SCUFFS, DISTORTION AND WARPAGE.
- ENSURE ANTI-SEIZE IS ON ALL NUTS AND BOLTS PRIOR TO ASSEMBLY.
- DRAWING TO AS1100 DRAWING STANDARDS.
- 316 S.S AND 316 S.S FASTENERS TO BE USED THROUGHOUT FOR COASTAL INSTALLATIONS OR ANY ENVIRONMENT WITH HIGH CORROSION.
- ALL TOLERANCES ± 0.5mm UNLESS OTHERWISE SPECIFIED.

MATERIAL

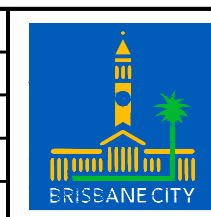
- MATERIAL: 316 STAINLESS STEEL
- COLOUR: NATURAL
- FINISHES:
NOZZLE - 600 GRIT POLISHED
ACTUATOR - DEBURRED FRAME WITH HIGHLY POLISHED BUTTON AND ETCHED LOGO.

STRUCTURAL DESIGN REVIEWED AND
CERTIFIED FOR ISSUE

NAME: B.C. PLANT RPEQ: 8807
SIGNATURE: ON ORIGINAL DATE: 10/ 05/ 18

ISSUE	AMENDMENT	DRAWN DATE	CHK'D DATE	APPR'D DATE
A	Original Issue - Dog Bowl Additional	MAY '18	JUN '18	NOV '18

DRAWING AUTHORISED FOR PUBLICATION INGA CONDRIK PRINCIPAL ENGINEER STRATEGIC ASSET MANAGEMENT PLANNING				DESIGN	FORMZOO DESIGN	DATE	MAY '18
DESIGN APPROVED VICKI MARTIN PRINCIPAL PLANNING OFFICER URBAN DESIGN				DRAWN	SC	DATE	MAY '18
				CHECKED	Urban Design	DATE	MAY '18
				DRAWING FILENAME	BSD-7331 (A) Drinking fountain - Dog bowl actuator and nozzle - Sheet 24 of 27		
				ASSOCIATED PLANS			



BRISBANE CITY COUNCIL STANDARD DRAWING	
DRINKING FOUNTAIN DOG BOWL ACTUATOR & NOZZLE SHEET 24 OF 27	
SCALE 1:2	DWG No. BSD-7331
ORIGINAL SIZE A3	REVISION A