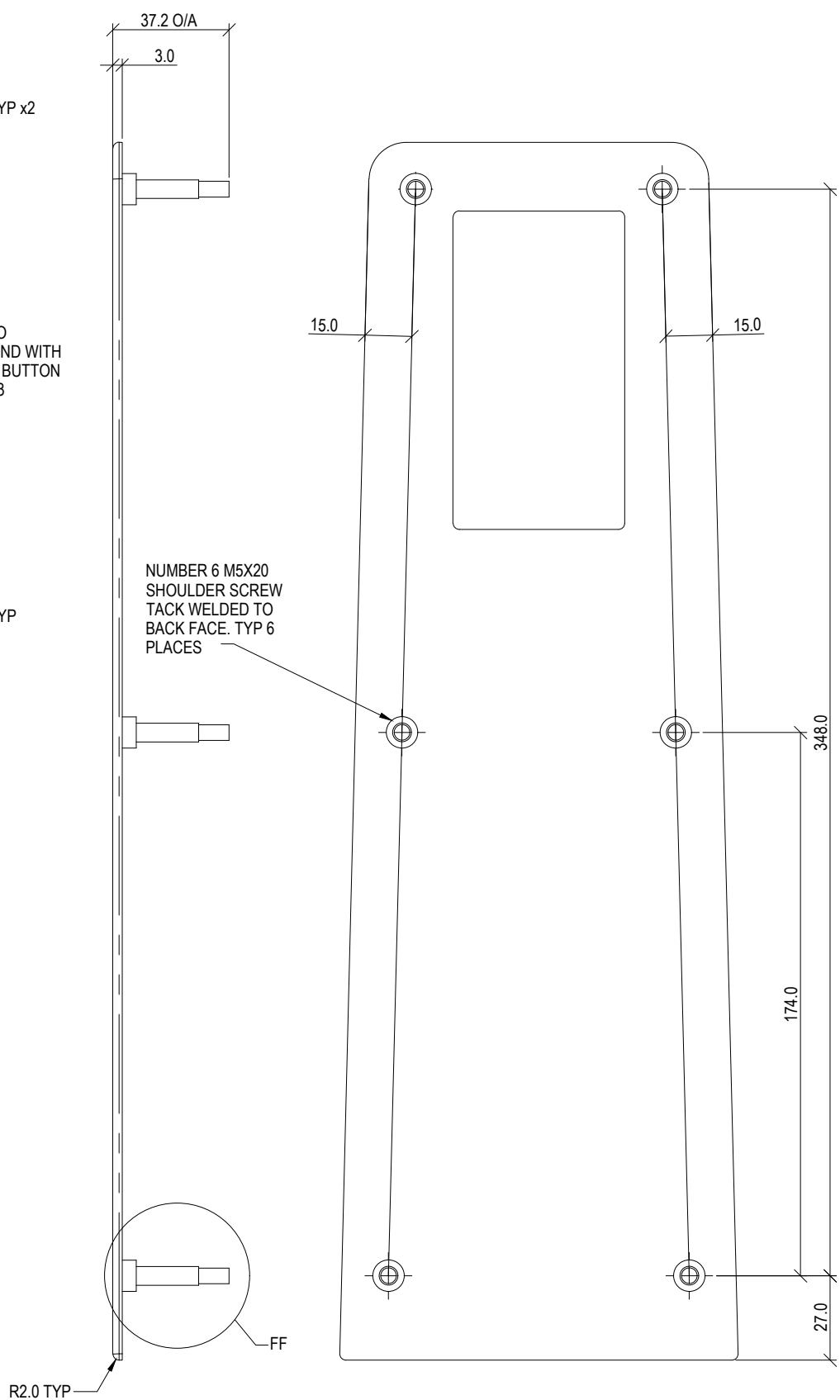
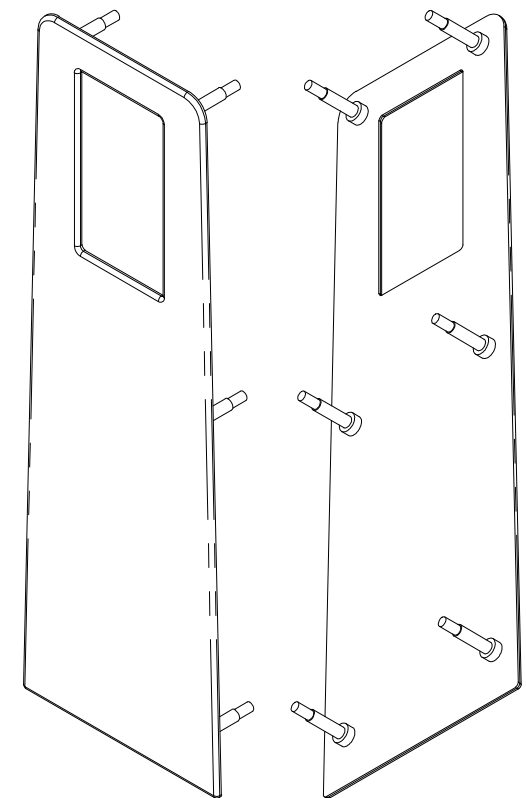


FRONT VIEW



SIDE VIEW

BACK VIEW



PICTORIAL VIEWS

STANDARDS

DESIGNED IN ACCORDANCE WITH, AND FABRICATION TO MEET THE FOLLOWING STANDARDS:

- AS1428.4.1:2009, TACTILE GROUND SURFACE INDICATORS FOR THE ORIENTATION OF PEOPLE WITH VISION IMPAIRMENT.
- AS1627.4 METAL FINISHING -PREPARATION AND PRE-TREATMENT OF SURFACES - ABRASIVE BLAST CLEANING OF STEEL.
- AS2312:2002/AMDT 1:2004, GUIDE TO PROTECTION OF IRON AND STEEL AGAINST EXTERIOR ATMOSPHERIC CORROSION, 1994.
- GUIDE TO ENGINEERING PRACTICE, 'PEDESTRIANS', PART 13, AUSTRROADS.
- AUSTRALIAN ROAD RULES , 1999, WWW.NRTC.GOV.AU
- AS4506 -2005, METAL FINISHING-THERMOSET POWDER COATINGS.
- AS4680:2006, HOT DIP GALVANISING.

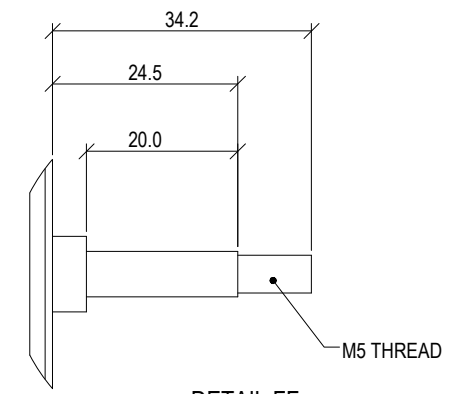
NOTES

- WELDING TO BE ACCORDANCE TO AS1554.1 CAT GP WELDING, ALL SHARP EDGES & BURRS REMOVED.
- PART SHOULD BE SUPPLIED CLEAN AND FREE FROM MARKS, BURRS, SCUFFS, DISTORTION AND WARPAGE.
- ENSURE ANTI-SEIZE IS ON ALL NUTS AND BOLTS PRIOR TO ASSEMBLY.
- DRAWING TO AS1100 DRAWING STANDARDS.
- 316 S.S AND 316 S.S FASTENERS TO BE USED THROUGHOUT FOR COASTAL INSTALLATIONS OR ANY ENVIRONMENT WITH HIGH CORROSION.
- ALL TOLERANCES $\pm 1.5\text{mm}$ UNLESS OTHERWISE SPECIFIED.

MATERIAL

- MATERIAL: 316 STAINLESS STEEL
- COLOUR: NATURAL
- FINISH: HIGHLY POLISHED.

STRUCTURAL DESIGN REVIEWED AND CERTIFIED FOR ISSUE	
NAME: <u>B.C. PLANT</u>	RPEQ: <u>8807</u>
SIGNATURE: <u>ON ORIGINAL</u>	DATE: <u>10/ 05/ 18</u>



DETAIL FF SHOULDER SCREW DETAIL SCALE 1:1

ISSUE	AMENDMENT	DRAWN DATE	CHK'D DATE	APPR'D DATE
C	Dog Bowl Addition	MAY '18	JUN '18	NOV '18
B	Drawing Title Amended	FEB '16	JUL '16	JUL '16
A	Drawing Converted from UMS Series April 2014	APR '14	APR '14	APR '14

DRAWING AUTHORISED FOR PUBLICATION INGA CONDRC AUTHORIZED 15/04/2014			
DESIGN	FORMZ00 DESIGN	DATE	JUN '12
DRAWN	AB	DATE	JUN '12
CHECKED	VM	DATE	APR '13
DRAWING FILENAME	BSD-7331 (C) Drinking fountain - Vertical drain plate - Sheet 18 of 27		
ASSOCIATED PLANS	SUPERSEDES UMS-569		
DESIGN APPROVED VICKI MARTIN SIGNATURE ON ORIGINAL PRINCIPAL PLANNING OFFICER URBAN DESIGN			



BRISBANE CITY COUNCIL STANDARD DRAWING	
DRINKING FOUNTAIN VERTICAL DRAIN PLATE SHEET 18 OF 27	
SCALE 1:2	DWG No. BSD-7331
ORIGINAL SIZE A3	REVISION C