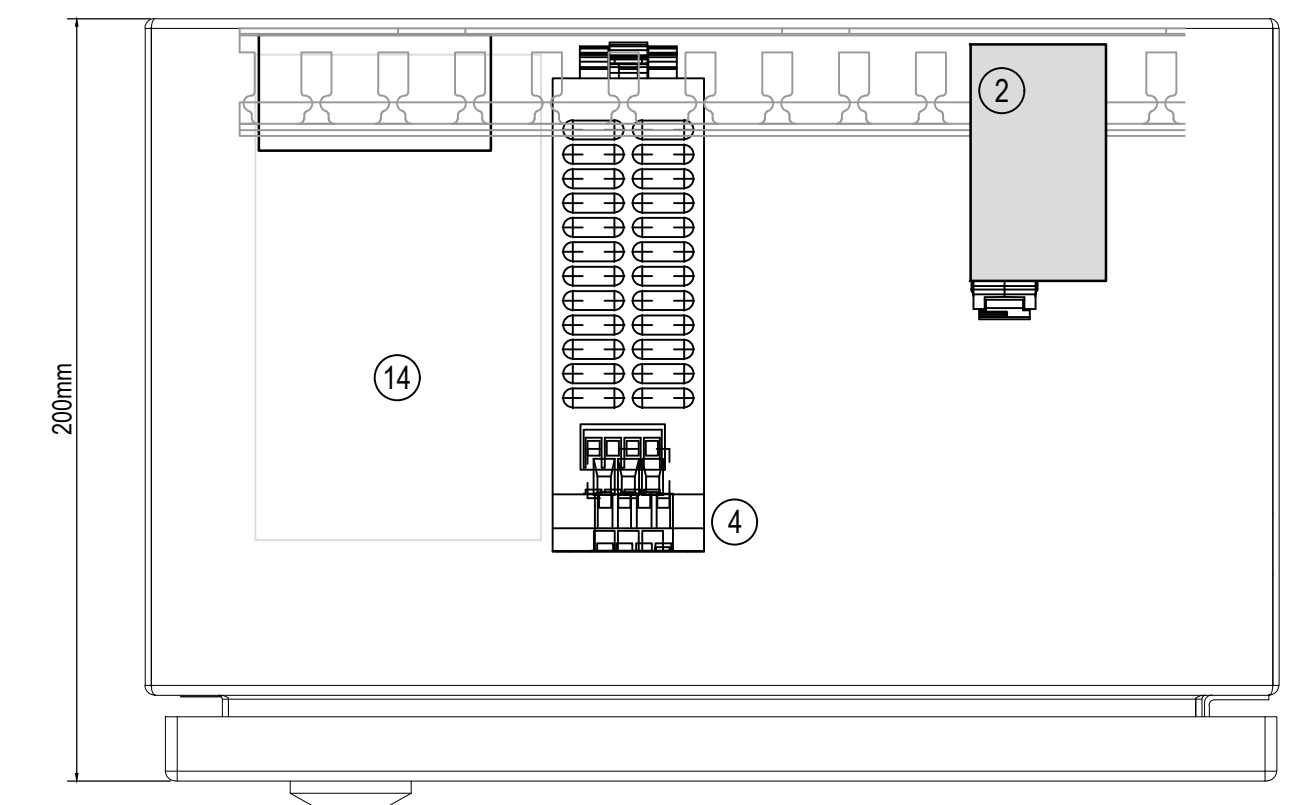
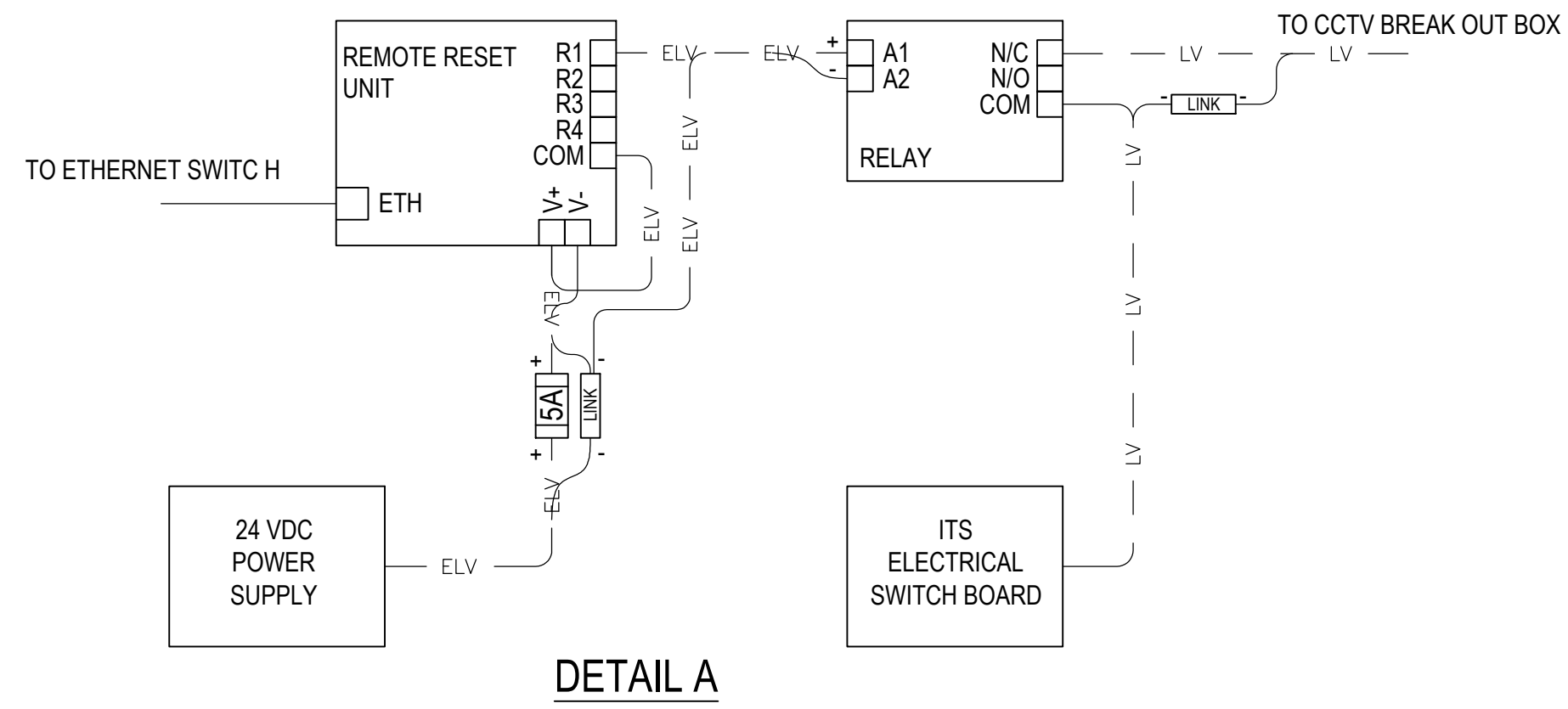
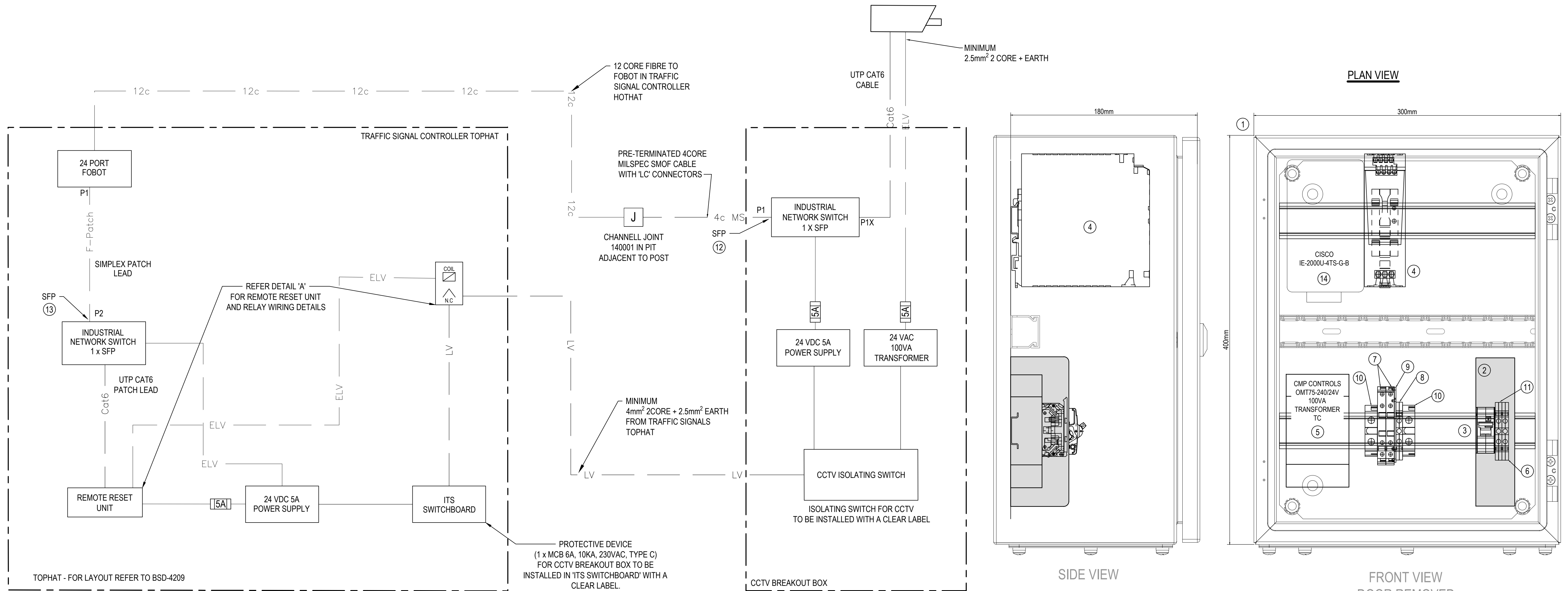


CCTV BREAKOUT BOX			
ITEM	DESCRIPTION	MODEL NUMBER	QTY
1	POLE MOUNTED CCTV BREAK OUT BOX	CABINET IP66, 400H X 300W X 200D INCLUDING POLE MOUNT BRACKET	1
2	CCTV ISOLATION BOX	CLIPSAL 4CC2 OR EQUIVALENT	1
3	ISOLATION SWITCH	HAGER - SBR140 OR EQUIVALENT	1
4	24 VDC POWER SUPPLY UNIT (PSU)	WEIDMULLER PRO MAX 120W 24V 5A (1478110000)	1
5	240/24VAC TRANSFORMER	CMP CONTROLS OMT75-240/24V 100VA TRANSFORMER TC	1
6	EARTH TERMINAL	WEIDMULLER EK 4/35 (0661160000)	2
7	FUSE LINK	WEIDMULLER KDKS 1/35 DB (9632440000)	2
8	FUSE	WEIDMULLER G 20/5.00A/F (0431300000)	2
9	TERMINAL END CAP	WEIDMULLER AP KDKS1 DB (9632470000)	1
10	STOP END	WEIDMULLER WEW 35/2 (1061200000)	2
11	TERMINAL LINK	WEIDMULLER SAK 4/35 (0443660000)	1
12	SMALL FORM PLUGGABLE TRANCEIVER MODULE (SFP)	CISCO COMPATIBLE GLC-BX-U (uplink)	1
13	SMALL FORM PLUGGABLE TRANCEIVER MODULE (SFP)	CISCO COMPATIBLE GLC-BX-D (downlink) IN TOPHAT ETHERNET SWITCH	1
14	INDUSTRIAL NETWORK SWITCH	CISCO IE-2000U-4TS-G-B	1




TOP VIEW



PLAN VIEW

SIDE VIEW

FRONT VIEW DOOR REMOVED

	BRISBANE CITY COUNCIL STANDARD DRAWING		PUBLISH DATE	
	TRAFFIC SIGNAL POST MOUNTED CCTV TYPICAL SCHEMATIC AND BREAKOUT BOX DETAILS		SCALE	
			NOT TO SCALE	
	DRAWING NUMBER		BSD-4212	
ORIGINAL SIZE			REVISION	A3