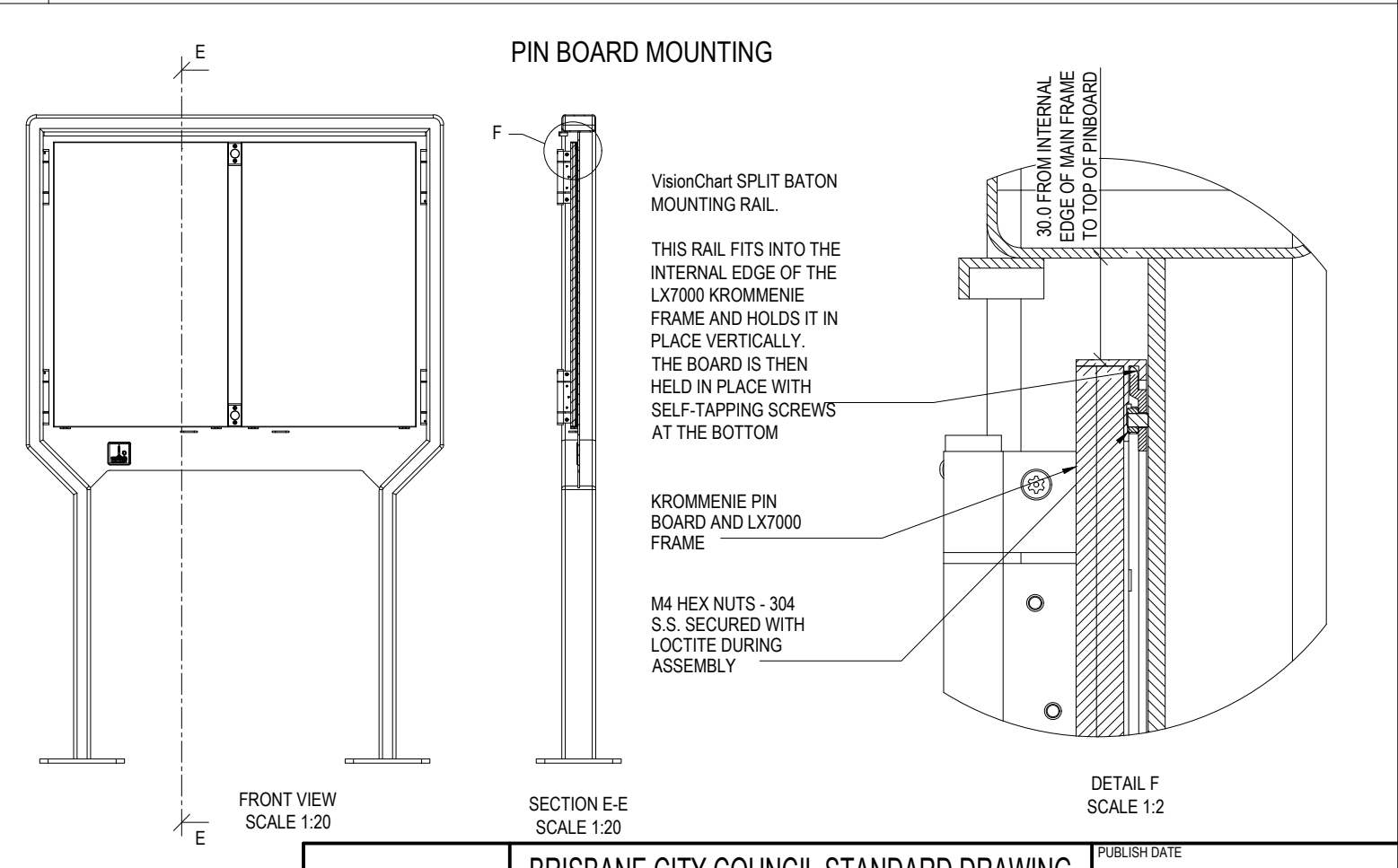
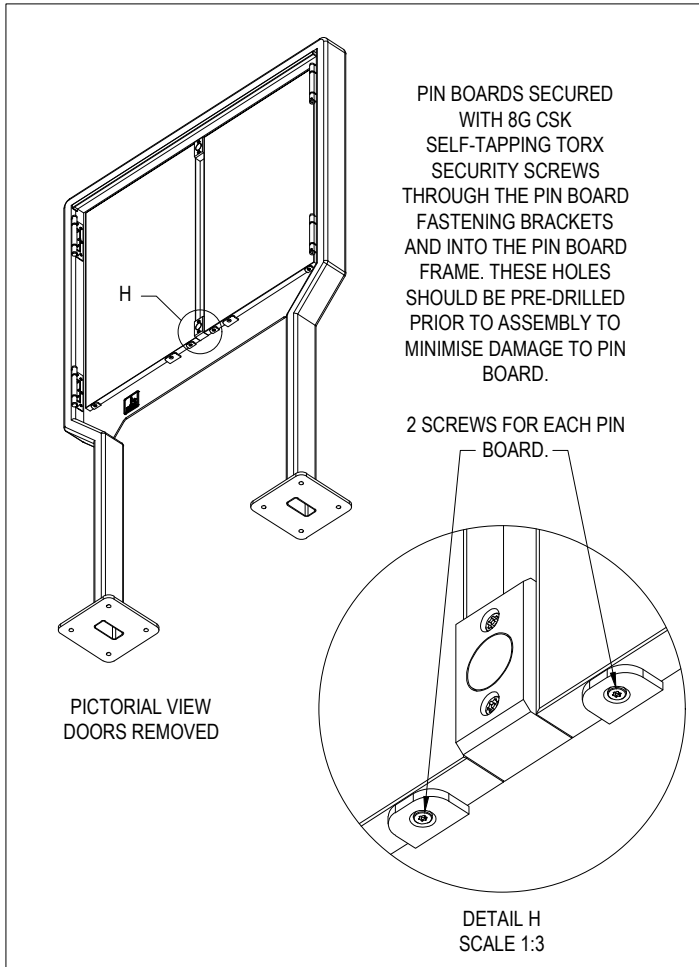
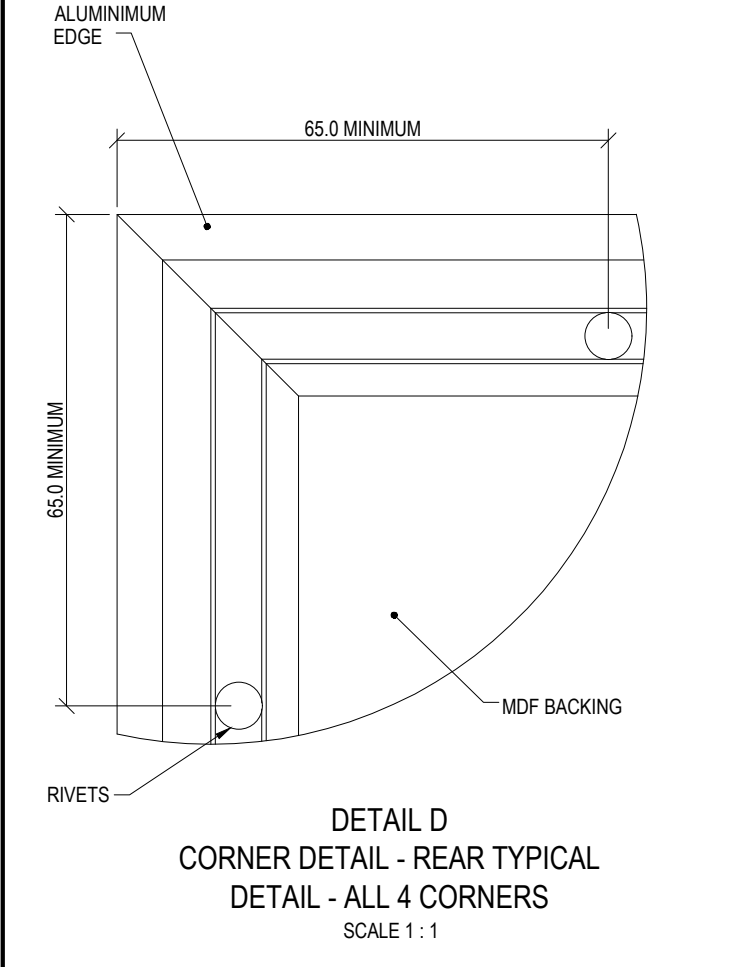


- NOTES**
- PART SHOULD BE SUPPLIED CLEAN AND FREE FROM MARKS, BURRS, SCUFFS, DISTORTION AND WARPAGE.
 - DRAWING TO AS1100 DRAWING STANDARDS.
 - ALL TOLERANCES ± 1.5mm UNLESS OTHERWISE SPECIFIED.
- MATERIAL**
- MATERIAL: PRE-FABRICATED KROMMENIE PINBOARD WITH LX7000 ALU EDGE.
 - COLOUR:
KROMMENIE = 2209 (BLACK OLIVE)
LX7000 EDGE = CLEAR ANODISED



| | | | |
|---|---------------|----------------------------|--|
| BRISBANE CITY COUNCIL STANDARD DRAWING | | PUBLISH DATE | |
| COMMUNITY NOTICE BOARD PIN BOARD PANEL SHEET 5 OF 8 | | SCALE AS SHOWN | |
| | | DRAWING NUMBER BSD-7141 | |
| ORIGINAL SIZE A3 | REVISION A | | |