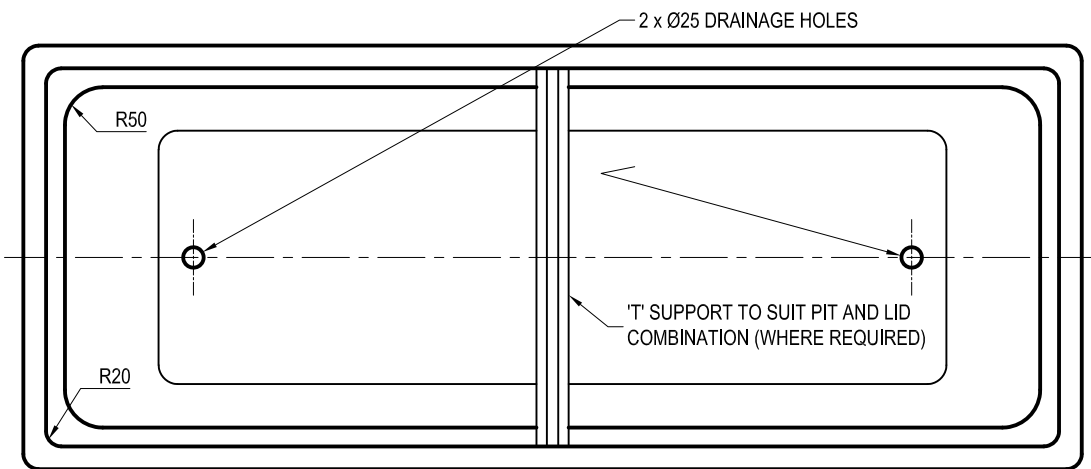


TABLE 1

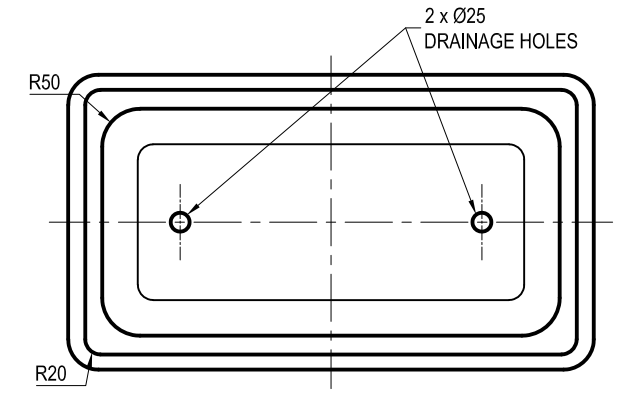
TYPE	L1	L2	L3	L4	D	W1	W2	W3	W4
P2	660	625	580	560	580	290	250	208	190
P3	540	500	455	420	520	315	275	230	190
P4	695	650	605	545	820	390	350	300	240
P6	1365	1310	1240	835	1130	610	500	430	410
P7	1010	960	910	835	1130	560	500	450	375
P8	1400	1340	1290	960	900	560	500	450	375
P9	2040	1980	1970	450	900	585	505	470	450

**NOTES:**

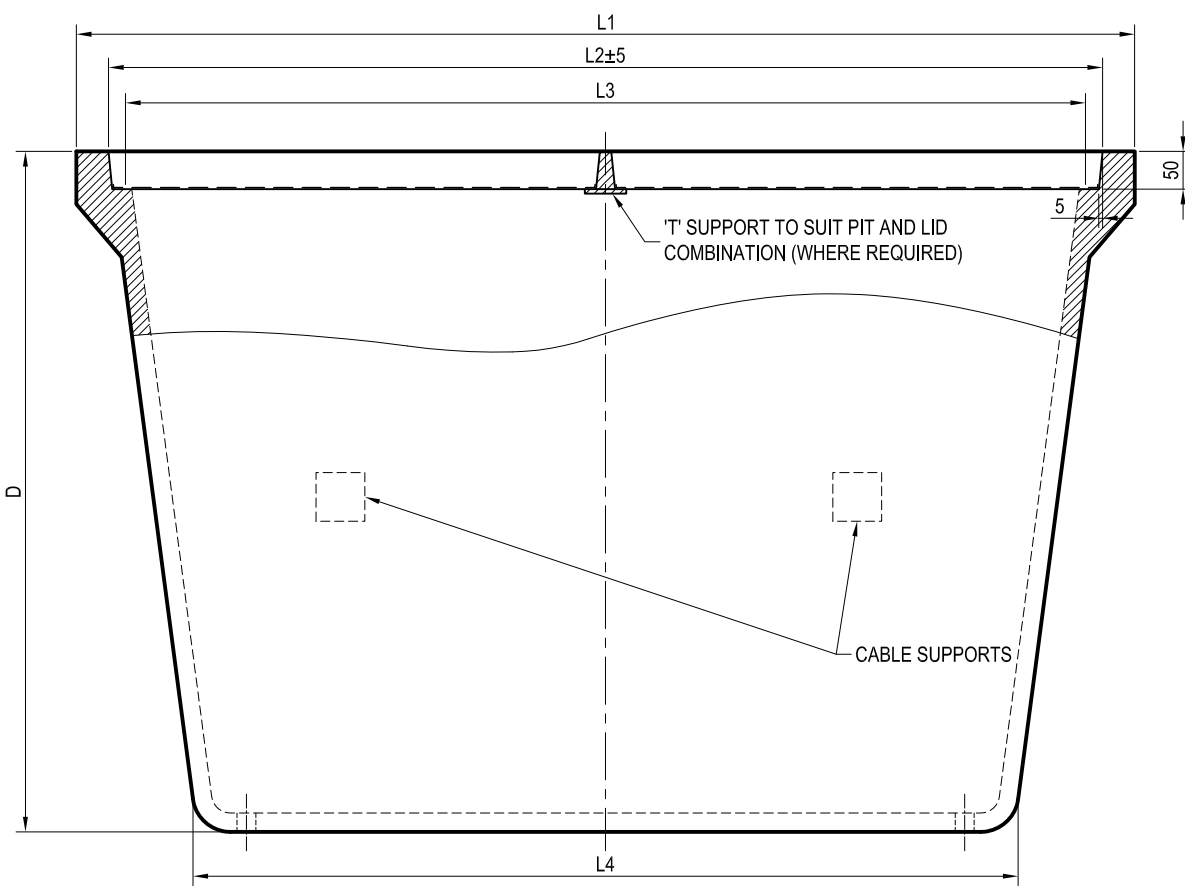
1. NOMINAL PIT DIMENSIONS AS PER TABLE 1.
2. ALL CORNER RADII TO BE 20mm, UNLESS SHOWN OTHERWISE.
3. TYPE 7 & 9 PITS ONLY TO BE USED WITH APPROVAL FROM COUNCIL.
4. PIT MATERIAL MAY BE, BUT NOT LIMITED TO, CONCRETE, POLYCRETE OR HDPE. THE THICKNESS AND SHAPE OF THE MATERIALS USED TO FORM THE PIT SHALL PROVIDE SUFFICIENT VERTICAL STRENGTH TO SUPPORT A CLASS 'B' LOAD TO AS3996 (GENERAL PEDESTRIAN AREAS) OR CLASS 'C' LOAD TO AS3996 (LOCALITIES AND CENTRES SUCH AS THE CBD AND CENTRES AS DEFINED BY CHAPTER 5, INFRASTRUCTURE DESIGN PLANNING SCHEME POLICY, BRISBANE CITY PLAN 2014) WHERE THE LOAD IS TRANSFERRED FROM THE PIT LID TO THE PIT FRAME, WHEN INSTALLED IN THE GROUND WITH 2 HOLES IN EACH END OF THE PIT. THE RESULTANT PERMANENT DEFORMATION TO THE PIT AFTER THE LOAD IS REMOVED SHALL NOT EXCEED 10mm.
5. THE THICKNESS OF THE WALLS AND BOTTOM OF THE PIT SHALL EXHIBIT A SHEARING OR CUTTING CHARACTERISTIC SUCH THAT THE HOLES SPECIFIED ABOVE CAN BE CUT WITH A NORMALLY AVAILABLE HOLE SAW OR PRESS TO WITHIN 30mm OF THE CORNERS AND/OR EDGES.
6. COLLAR OR RISER MAYBE USED TO INCREASE PIT DEPTH OR CORRECT PIT SURFACE LEVEL. COLLAR/RISER MATERIAL TO BE COMPATIBLE WITH PIT MATERIAL.
7. FOR CIRCULAR PITS REFER TO MAIN ROADS DRAWINGS 1415 AND 1416.
8. TYPE 9 PIT NOT ILLUSTRATED ON DRAWING.
9. ALL DIMENSIONS IN MILLIMETRES (U.N.O.).



PLAN VIEW

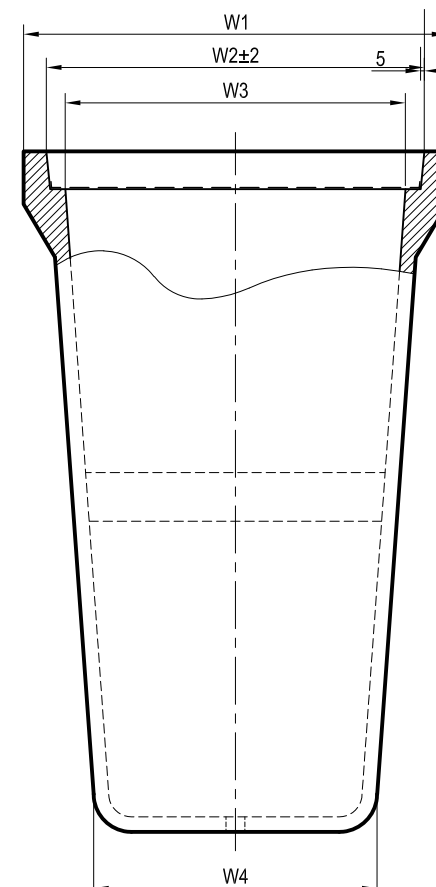


PLAN VIEW

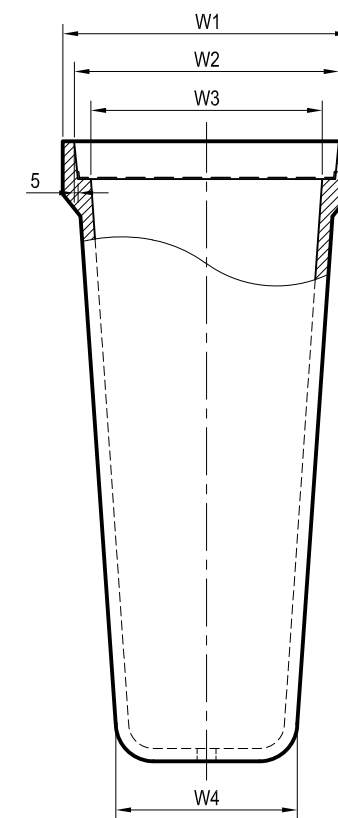


FRONT VIEW

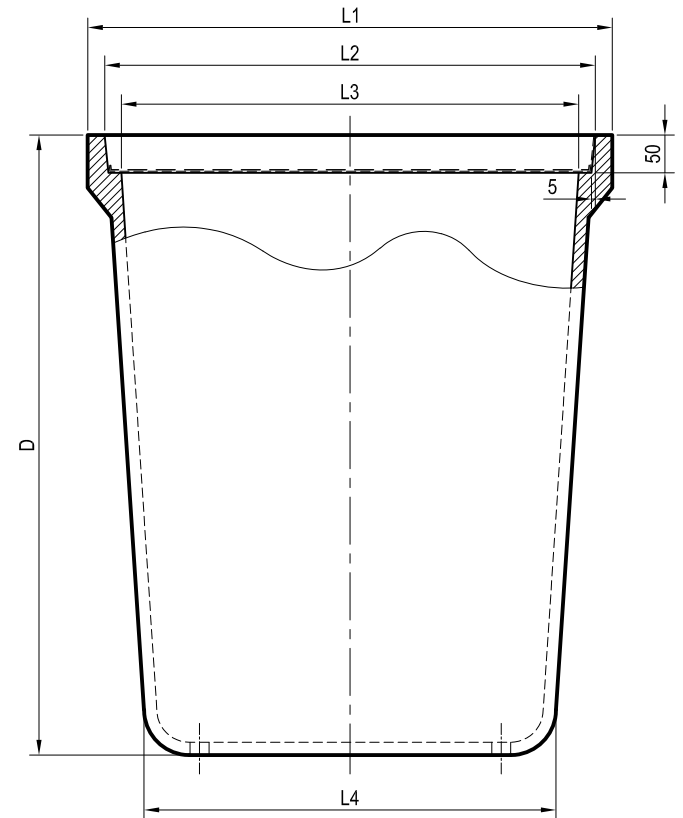
PIT TYPES 7 & 8



SIDE VIEW




SIDE VIEW



FRONT VIEW

PIT TYPES 2, 3 & 4

THE FITNESS FOR PURPOSE OF THIS STANDARD DRAWING FOR A SPECIFIC PROJECT SHALL BE ASSESSED AND ACCEPTED BY A SUITABLY QUALIFIED REGISTERED PROFESSIONAL ENGINEER OF QUEENSLAND (RPEQ).

	BRISBANE CITY COUNCIL STANDARD DRAWING		PUBLISH DATE Mar '21	
	RECTANGULAR PIT TYPES		SCALE NOT TO SCALE	
			DRAWING NUMBER BSD-1011	
			ORIGINAL SIZE A3	REVISION C