

LED LUMINAIRE (INCORPORATING A 7 PIN NEMA RECEPTACLE AND NEMA PE CELL)
 MAXIMUM WEIGHT: 8.4kg
 MAXIMUM WIND CATCHING AREA: 0.13m²
 MAXIMUM HEIGHT: 275mm
 TO ENSURE THAT THE LIGHT POLE CAN BE SAFELY MOUNTED ON EXISTING FOOTINGS.

TOTAL MAXIMUM HEIGHT OF PEDESTRIAN LIGHT POLE AND LUMINAIRE TO NOT EXCEED 3275mm.

FOR NEW INSTALLATIONS REFER TO SHEET 7 (BSD-11004). WHEN MOUNTING TO EXISTING FOOTINGS, REFER TO SHEET 8 (BSD-11004).

EQUIPMENT LIST

ITEM NO.	DESCRIPTION	QTY.
1	MAIN SWITCHBOARD AND CONTROL PANEL ARRANGEMENT AND SCHEMATIC (BSD-11001)	1
2	3 METRE LIGHT POLE MAIN BODY	1
3	LIGHT POLE ACCESS HATCH	1
4	LIGHT POLE CURVED LOGO BADGE	1
5	M16 316 STAINLESS STEEL NUT AND WASHER	4
6	M5 316 STAINLESS STEEL HEX NUT	2
7	LED LUMINAIRE (INCORPORATING A 7 PIN NEMA RECEPTACLE AND NEMA PE CELL) REFER TO BRISBANE CITY COUNCIL FOR APPROVED LUMINAIRE DETAILS	1
8	M6 x16mm 316 STAINLESS STEEL BUTTON HEAD TORX SECURITY SCREW	5
9	M6 316 STAINLESS STEEL HEX NUT	1

STANDARDS

DESIGNED IN ACCORDANCE WITH, FABRICATED AND INSTALLED TO MEET THE FOLLOWING STANDARDS:

- AS1428.4.1 - TACTILE GROUND SURFACE INDICATORS FOR THE ORIENTATION OF PEOPLE WITH VISION IMPAIRMENT.
- AUSTROADS GUIDE TO ROAD DESIGN, PART 6B: ROADSIDE ENVIRONMENT.
- AS1158.3.1 - ROAD LIGHTING, PART 3.1: PEDESTRIAN AREA (CATEGORY P) LIGHTING - PERFORMANCE AND INSTALLATION DESIGN REQUIREMENTS.
- AS1627.4 - METAL FINISHING - PREPARATION AND PRE-TREATMENT OF SURFACES - ABRASIVE BLAST CLEANING OF STEEL.
- AS2312/AMDT 1 - GUIDE TO PROTECTION OF IRON AND STEEL AGAINST EXTERIOR ATMOSPHERIC CORROSION.
- AS4680 - HOT DIP GALVANISING.
- AS4506 - METAL FINISHING-THERMOSET POWDER COATINGS.
- AS/NZS3000 - ELECTRICAL INSTALLATIONS

NOTES:

PART SHOULD BE SUPPLIED CLEAN AND FREE FROM MARKS, BURRS, SCUFFS, DISTORTION AND WARPAGE.

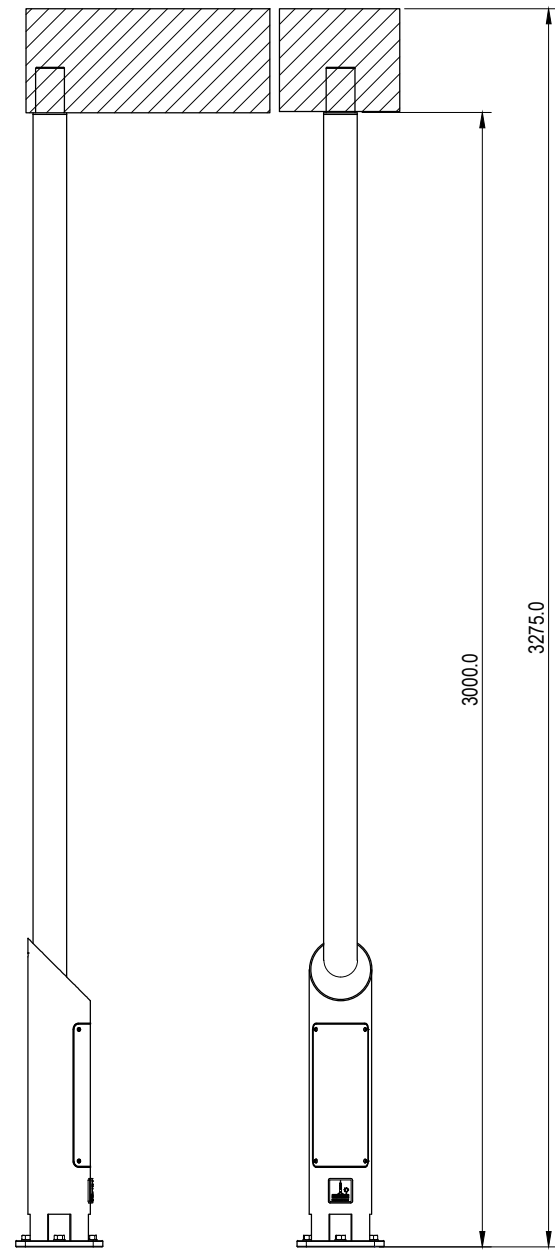
- ALL TOLERANCES $\pm 1.5\text{mm}$ UNLESS OTHERWISE SPECIFIED.
- DRAWING TO AS1100 DRAWING STANDARDS.
- WELDING TO BE IN ACCORDANCE WITH AS1554.1 CAT GP WELDING, ALL SHARP EDGES & BURRS REMOVED.
- POWDER COATING TO BE IN ACCORDANCE TO AS4506 EXTERNAL EXPOSURE STANDARD WITH PRE-TREATMENT SAND BLAST, ZINC PHOSPHATE, ETC.
- ENSURE ANTI-SEIZE IS ON ALL NUTS AND BOLTS PRIOR TO ASSEMBLY.
- 316 S.S. AND 316 S.S. FASTENERS TO BE USED THROUGHOUT FOR COASTAL INSTALLATIONS OR ANY ENVIRONMENT WITH HIGH CORROSION.
- ANY DESIGN AMENDMENTS THAT DIFFER FROM THESE DRAWINGS, INCLUDING LUMINAIRE OR OTHER POLE LOADING REQUIREMENTS WILL REQUIRE CERTIFICATION FROM A SUITABLY QUALIFIED ENGINEER.

MATERIALS

- MATERIAL: SEE COMPONENT DRAWING
- COLOUR:
LED LUMINAIRE - RAL 7010 TARPULIN GREY OR APPROVED EQUIVALENT.
LIGHT POLE - DULUX METROPOLIS STORM PEARL OR APPROVED EQUIVALENT.
- FINISH: HOT DIP GALVANISED AND POWDER COATED

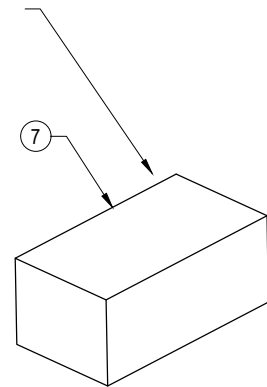
DESIGN NOTES:

- STRUCTURAL ELEMENTS DESIGNED FOR THE FOLLOWING WIND CONDITIONS:
 - LOCATION AND WIND: CITY OF BRISBANE, REGION B, ULTIMATE VR: 57 m/s, SERVICEABILITY VR: 39m/s
 - COMPONENTS CERTIFIED: MAIN STRUCTURE
- SHOULD CONDITIONS VARY FROM THOSE DESCRIBED, SEEK PROFESSIONAL ENGINEERING ADVICE.
- LED LUMINAIRE, ACCESS HATCH, LOGO BADGE AND MAIN BODY ASSEMBLY AS PER MANUFACTURER'S SPECIFICATIONS.
- ORIGINAL CERTIFICATION SHALL NOT BE CONSTRUED AS RELIEVING ANY OTHER PARTY OR THEIR RESPONSIBILITIES, LIABILITIES OR CONTRACTUAL OBLIGATIONS.

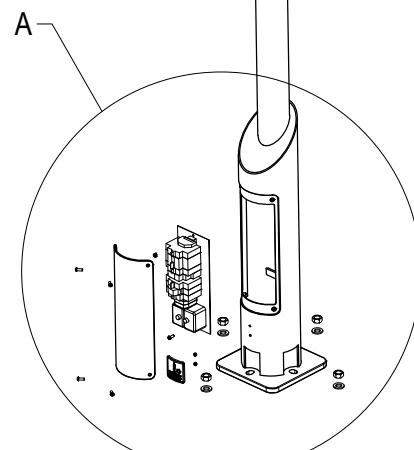


SIDE VIEW

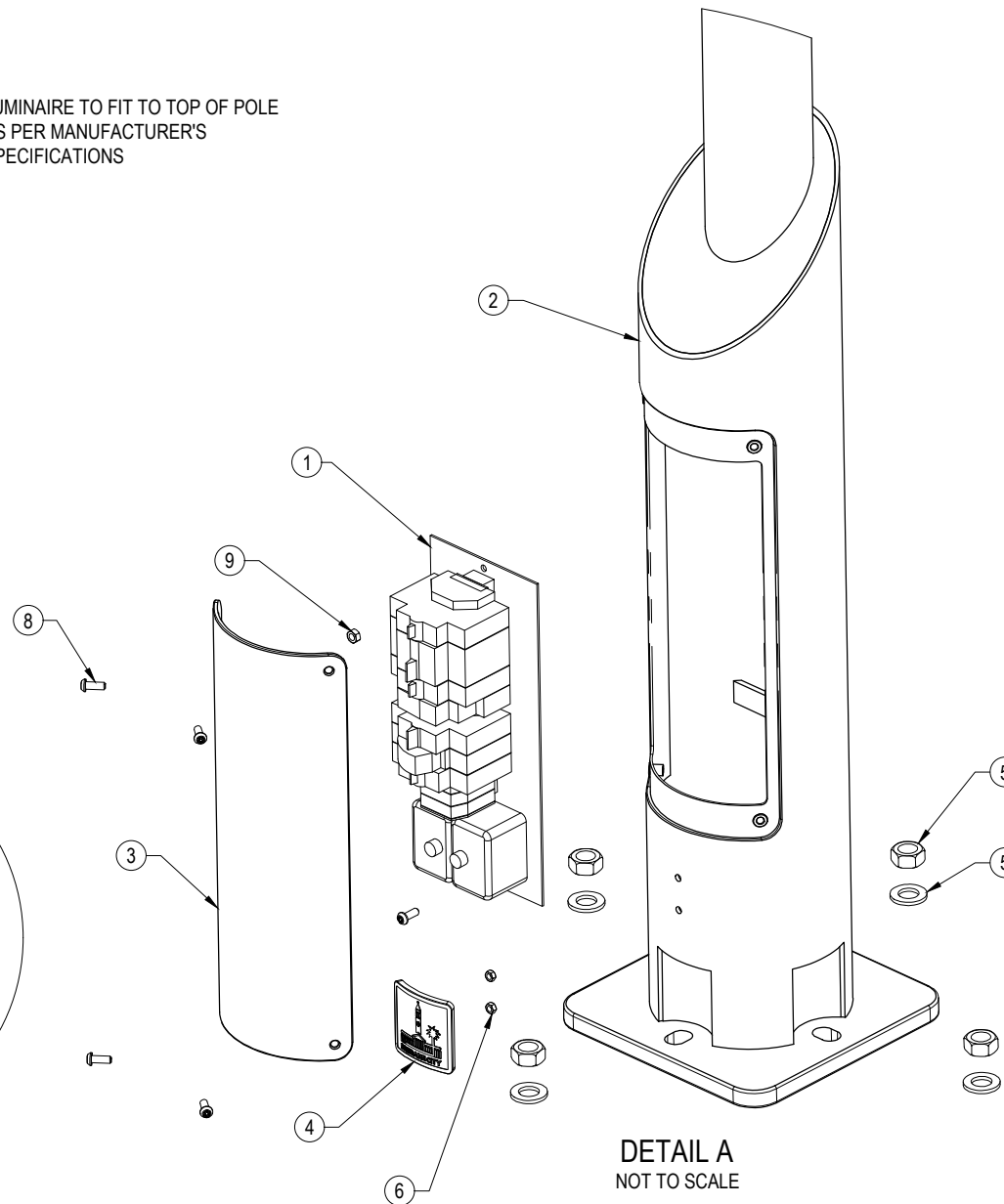
FRONT VIEW



LUMINAIRE TO FIT TO TOP OF POLE AS PER MANUFACTURER'S SPECIFICATIONS



EXPLODED VIEW
NOT FOR SCALE



DETAIL A
NOT TO SCALE

THE FITNESS FOR PURPOSE OF THIS STANDARD DRAWING FOR A SPECIFIC PROJECT SHALL BE ASSESSED AND ACCEPTED BY A SUITABLY QUALIFIED REGISTERED PROFESSIONAL ENGINEER OF QUEENSLAND (RPEQ).



BRISBANE CITY COUNCIL STANDARD DRAWING

3 METRE PEDESTRIAN LIGHT POLE
MAIN ASSEMBLY
SHEET 1 OF 8

PUBLISH DATE		March 2021
SCALE		NOT TO SCALE
DRAWING NUMBER		BSD-11004
ORIGINAL SIZE	REVISION	
A3	C	