

SIDE MOUNT LED LUMINAIRE (INCORPORATING A 7 PIN NEMA RECEPTACLE AND NEMA PE CELL)  
 MAXIMUM WEIGHT: 6.9kg  
 MAXIMUM WIND CATCHING AREA: 0.1m<sup>2</sup>  
 TO ENSURE THAT THE LIGHT POLE CAN BE SAFELY MOUNTED ON EXISTING FOOTINGS.

TOTAL MAXIMUM HEIGHT O PEDESTRIAN LIGHT POLE AND LUMINAIRE TO NOT EXCEED 3275mm.

FOR NEW INSTALLATIONS REFER TO SHEET 7 (BSD-11004).

WHEN MOUNTING TO EXISTING FOOTINGS, REFER TO SHEET 8 (BSD-11004).

## EQUIPMENT LIST

ITEM NO.	DESCRIPTION	QTY.
1	SIDE ENTRY SPIGOT (ONLY TO BE USED WHERE DIRECTED OR ACCEPTED BY BRISBANE CITY COUNCIL)	1
2	M8 x 6mm 316 STAINLESS STEEL FLAT POINT GRUB SCREW (SIDE MOUNT LUMINAIRE ONLY)	8
3	SIDE MOUNT LED LUMINAIRE (INCORPORATING A 7 PIN NEMA RECEPTACLE AND NEMA PE CELL) REFER TO BRISBANE CITY COUNCIL FOR APPROVED LUMINAIRE DETAILS	1

## STANDARDS

DESIGNED IN ACCORDANCE WITH, FABRICATED AND INSTALLED TO MEET THE FOLLOWING STANDARDS:

- AS1428.4.1 - TACTILE GROUND SURFACE INDICATORS FOR THE ORIENTATION OF PEOPLE WITH VISION IMPAIRMENT.
- AUSTROADS GUIDE TO ROAD DESIGN, PART 6B: ROADSIDE ENVIRONMENT.
- AS1158.3.1 - ROAD LIGHTING , PART 3.1: PEDESTRIAN AREA (CATEGORY P) LIGHTING - PERFORMANCE AND INSTALLATION DESIGN REQUIREMENTS.
- AS1627.4 - METAL FINISHING - PREPARATION AND PRE-TREATMENT OF SURFACES - ABRASIVE BLAST CLEANING OF STEEL.
- AS2312/AMDT 1 - GUIDE TO PROTECTION OF IRON AND STEEL AGAINST EXTERIOR ATMOSPHERIC CORROSION.
- AS4680 - HOT DIP GALVANISING.
- AS4506 - METAL FINISHING-THERMOSET POWDER COATINGS.
- AS/NZS3000 - ELECTRICAL INSTALLATIONS

## NOTES:

PART SHOULD BE SUPPLIED CLEAN AND FREE FROM MARKS, BURRS, SCUFFS, DISTORTION AND WARPAGE.

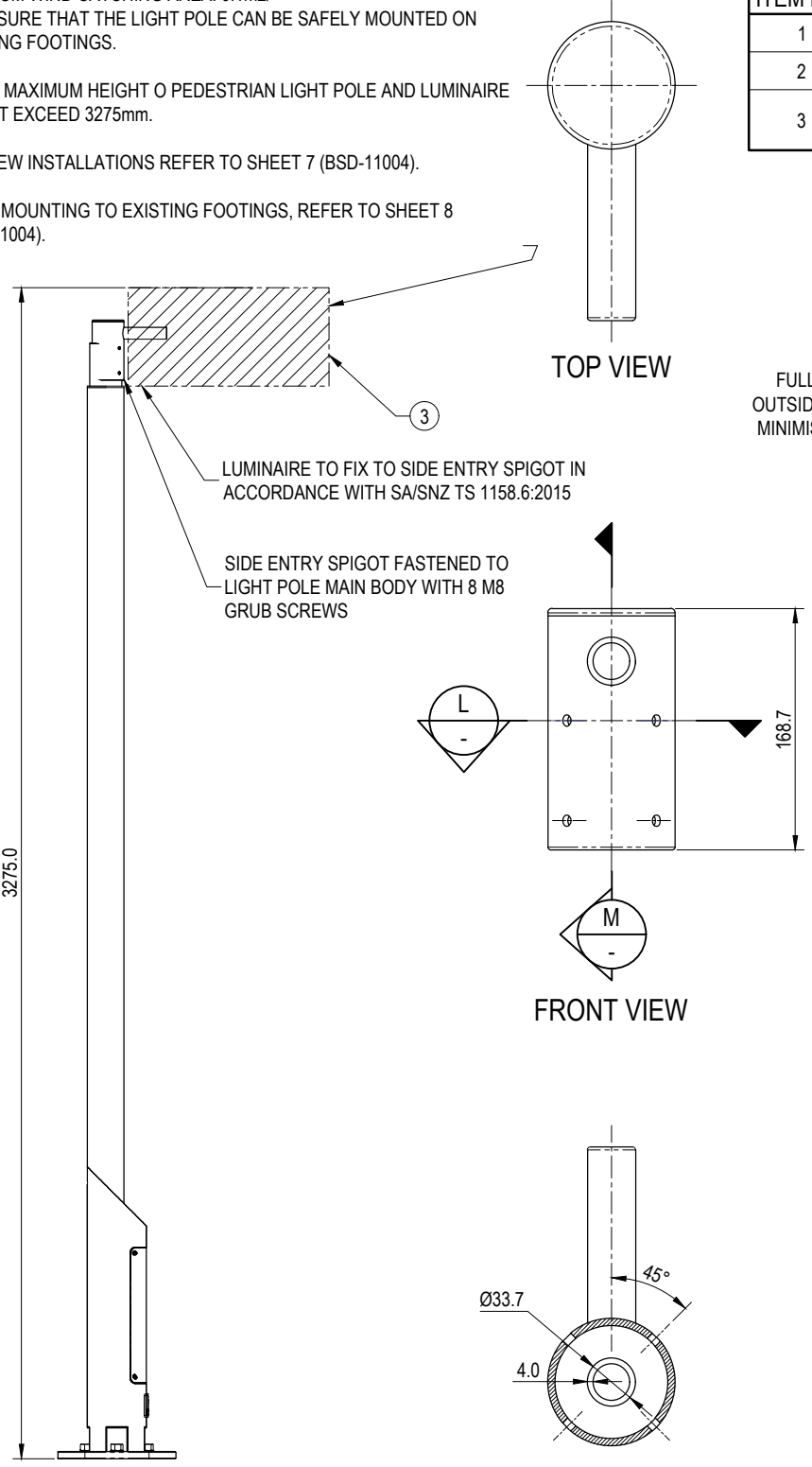
- ALL TOLERANCES ± 1.5mm UNLESS OTHERWISE SPECIFIED.
- DRAWING TO AS1100 DRAWING STANDARDS.
- WELDING TO BE IN ACCORDANCE WITH AS1554.1 CAT GP WELDING, ALL SHARP EDGES & BURRS REMOVED.
- POWDER COATING TO BE IN ACCORDANCE TO AS4506 EXTERNAL EXPOSURE STANDARD WITH PRE-TREATMENT SAND BLAST, ZINC PHOSPHATE, ETC.
- ENSURE ANTI-SEIZE IS ON ALL NUTS AND BOLTS PRIOR TO ASSEMBLY.
- 316 S.S. AND 316 S.S. FASTENERS TO BE USED THROUGHOUT FOR COASTAL INSTALLATIONS OR ANY ENVIRONMENT WITH HIGH CORROSION.
- ANY DESIGN AMENDMENTS THAT DIFFER FROM THESE DRAWINGS, INCLUDING LUMINAIRE OR OTHER POLE LOADING REQUIREMENTS WILL REQUIRE CERTIFICATION FROM A SUITABLY QUALIFIED ENGINEER.

## MATERIALS

- MATERIAL: MILD STEEL G350
- COLOUR:  
LED LUMINAIRE - RAL 7010 TARPULIN GREY OR APPROVED EQUIVALENT.  
LIGHT POLE AND SPIGOT - DULUX METROPOLIS STORM PEARL OR APPROVED EQUIVALENT.
- FINISH: HOT DIP GALVANISED AND POWDER COATED

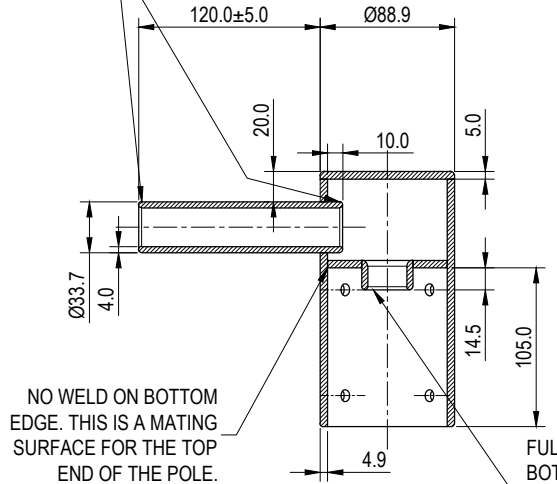
## DESIGN NOTES:

- STRUCTURAL ELEMENTS DESIGNED FOR THE FOLLOWING WIND CONDITIONS:
  - LOCATION AND WIND: CITY OF BRISBANE, REGION B, ULTIMATE VR: 57 m/s, SERVICEABILITY VR: 39m/s
  - COMPONENTS CERTIFIED: MAIN STRUCTURE
- SHOULD CONDITIONS VARY FROM THOSE DESCRIBED, SEEK PROFESSIONAL ENGINEERING ADVICE.
- LED LUMINAIRE, ACCESS HATCH, LOGO BADGE AND MAIN BODY ASSEMBLY AS PER MANUFACTURER'S SPECIFICATIONS.
- ORIGINAL CERTIFICATION SHALL NOT BE CONSTRUED AS RELIEVING ANY OTHER PARTY OR THEIR RESPONSIBILITIES, LIABILITIES OR CONTRACTUAL OBLIGATIONS.



SIDE ENTRY LUMINAIRE GENERAL ASSEMBLY  
SCALE 1:20

FULL ROUND ON INSIDE AND OUTSIDE EDGES OF SPIGOT TO MINIMISE DAMAGE TO CABLES.

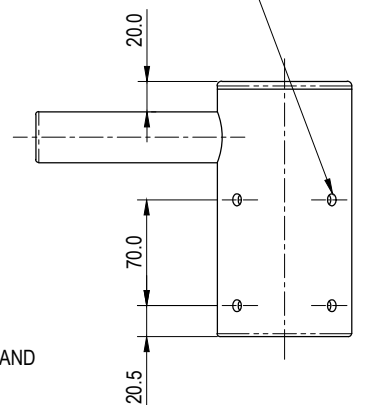


SECTION M-M

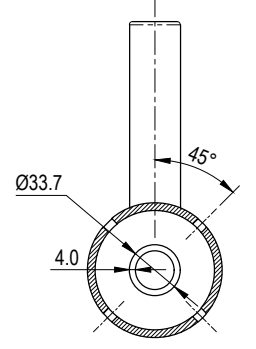
NO WELD ON BOTTOM EDGE. THIS IS A MATING SURFACE FOR THE TOP END OF THE POLE.

FULL ROUND ON TOP AND BOTTOM EDGES OF SPIGOT TO MINIMISE DAMAGE TO CABLES.

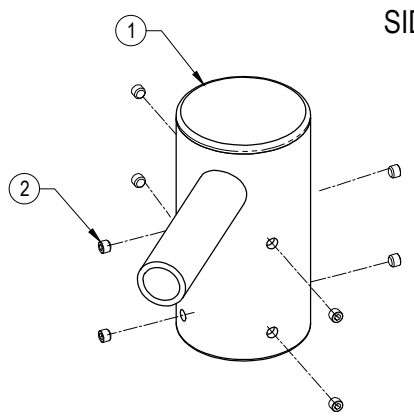
M8 THREAD TO HOLD M8 GRUB SCREWS FOR MOUNTING TO LIGHT POLE MAIN BODY



RIGHT VIEW



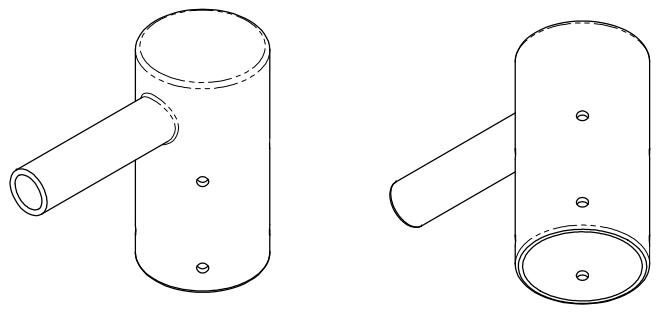
SECTION L-L



EXPLODED VIEW  
NOT TO SCALE

SIDE VIEW


REAR VIEW



PICTORIAL VIEW  
NOT TO SCALE

OPTIONAL ATTACHMENT TO BE USED FOR LIGHTPOLES THAT REQUIRE LUMINAIRE WITH HORIZONTAL MOUNTING.

THE FITNESS FOR PURPOSE OF THIS STANDARD DRAWING FOR A SPECIFIC PROJECT SHALL BE ASSESSED AND ACCEPTED BY A SUITABLY QUALIFIED REGISTERED PROFESSIONAL ENGINEER OF QUEENSLAND (RPEQ).

	BRISBANE CITY COUNCIL STANDARD DRAWING		PUBLISH DATE
	3 METRE PEDESTRIAN LIGHT POLE ALTERNATIVE SIDE ENTRY SHEET 6 OF 8		March 2021
			SCALE
			1:5
		DRAWING NUMBER	BSD-11004
ORIGINAL SIZE	REVISION		
A3	C		