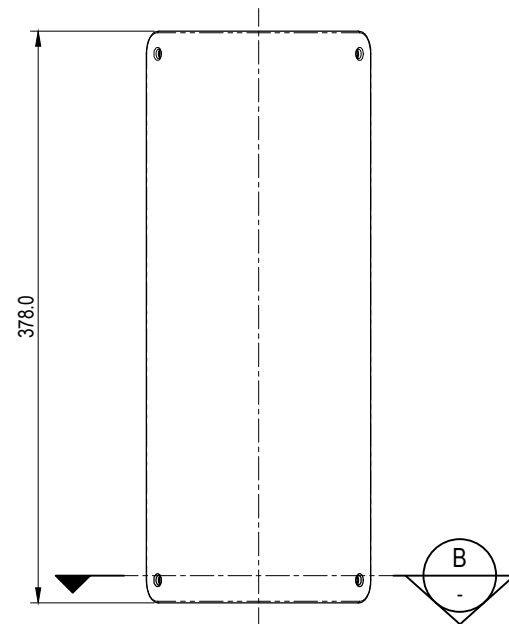
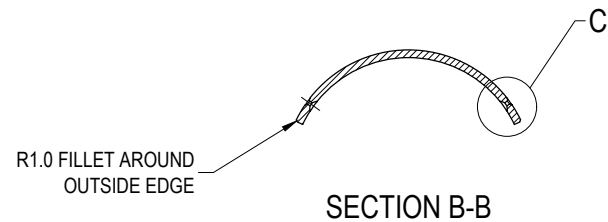


TOP VIEW

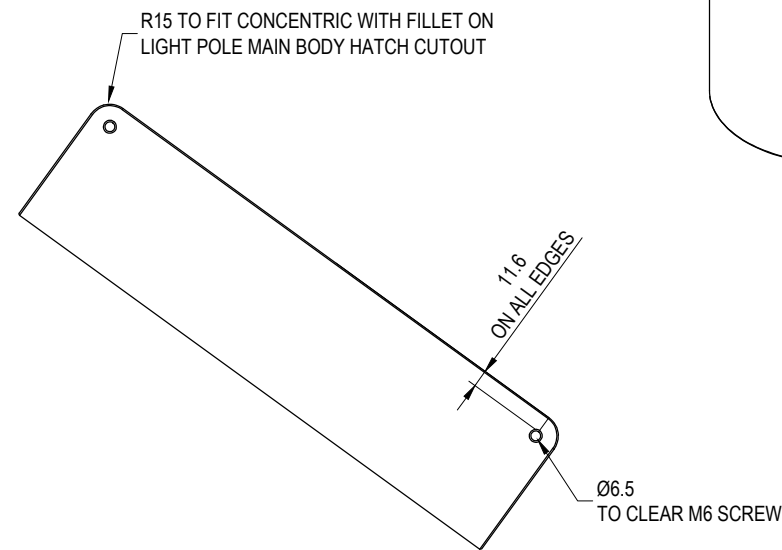
AUXILIARY VIEW 'A'



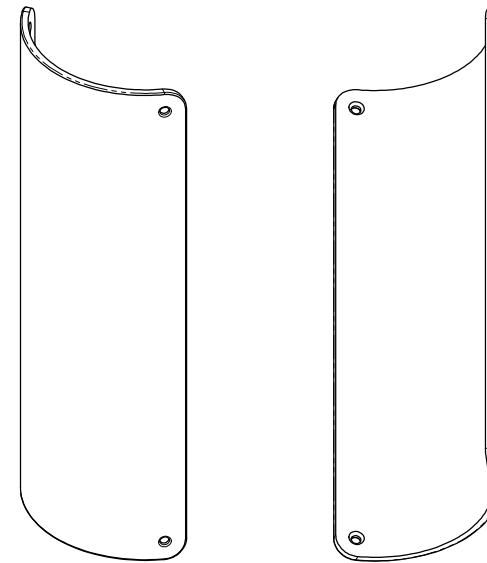
FRONT VIEW



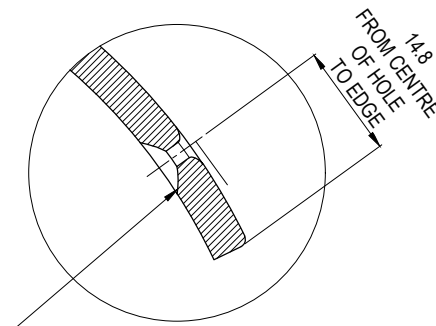
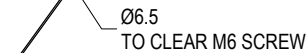
SECTION B-B



AUXILIARY VIEW 'A'



PICTORIAL VIEWS
NOT TO SCALE



DETAIL C
SCALE 1:1

CRITICAL HOLE MAY REQUIRE SMALL 1-2mm COUNTERSINK ON REAR SURFACE TO CLEAR THE RAISED FACE OF THE RivNuts ON THE MOUNTING SURFACE

STANDARDS

DESIGNED IN ACCORDANCE WITH, FABRICATED AND INSTALLED TO MEET THE FOLLOWING STANDARDS:

1. AS1428.4.1 - TACTILE GROUND SURFACE INDICATORS FOR THE ORIENTATION OF PEOPLE WITH VISION IMPAIRMENT.
2. AUSTRROADS GUIDE TO ROAD DESIGN, PART 6B: ROADSIDE ENVIRONMENT.
3. AS1158.3.1 - ROAD LIGHTING, PART 3.1: PEDESTRIAN AREA (CATEGORY P) LIGHTING - PERFORMANCE AND INSTALLATION DESIGN REQUIREMENTS.
4. AS1627.4 - METAL FINISHING - PREPARATION AND PRE-TREATMENT OF SURFACES - ABRASIVE BLAST CLEANING OF STEEL.
5. AS2312/AMDT 1 - GUIDE TO PROTECTION OF IRON AND STEEL AGAINST EXTERIOR ATMOSPHERIC CORROSION.
6. AS4680 - HOT DIP GALVANISING.
7. AS4506 - METAL FINISHING-THERMOSET POWDER COATINGS.
8. AS/NZS3000 - ELECTRICAL INSTALLATIONS

NOTES:

PART SHOULD BE SUPPLIED CLEAN AND FREE FROM MARKS, BURRS, SCUFFS, DISTORTION AND WARPAGE.

1. ALL TOLERANCES $\pm 1.5\text{mm}$ UNLESS OTHERWISE SPECIFIED.
2. DRAWING TO AS1100 DRAWING STANDARDS.
3. WELDING TO BE IN ACCORDANCE WITH AS1554.1 CAT GP WELDING, ALL SHARP EDGES & BURRS REMOVED.
4. POWDER COATING TO BE IN ACCORDANCE TO AS4506 EXTERNAL EXPOSURE STANDARD WITH PRE-TREATMENT SAND BLAST, ZINC PHOSPHATE, ETC.
5. ENSURE ANTI-SEIZE IS ON ALL NUTS AND BOLTS PRIOR TO ASSEMBLY.
6. 316 S.S. AND 316 S.S. FASTENERS TO BE USED THROUGHOUT FOR COASTAL INSTALLATIONS OR ANY ENVIRONMENT WITH HIGH CORROSION.
7. ANY DESIGN AMENDMENTS THAT DIFFER FROM THESE DRAWINGS, INCLUDING LUMINAIRE OR OTHER POLE LOADING REQUIREMENTS WILL REQUIRE CERTIFICATION FROM A SUITABLY QUALIFIED ENGINEER.


MATERIALS

1. MATERIAL: MILD STEEL G350
2. COLOUR: DULUX METROPOLIS STORM PEARL OR APPROVED EQUIVALENT.
3. FINISH: HOT DIP GALVANISED AND POWDER COATED

DESIGN NOTES:

1. STRUCTURAL ELEMENTS DESIGNED FOR THE FOLLOWING WIND CONDITIONS:
 - LOCATION AND WIND: CITY OF BRISBANE. REGION B, ULTIMATE VR: 57 m/s, SERVICEABILITY VR: 39m/s
 - COMPONENTS CERTIFIED: MAIN STRUCTURE
2. SHOULD CONDITIONS VARY FROM THOSE DESCRIBED, SEEK PROFESSIONAL ENGINEERING ADVICE.
3. LED LUMINAIRE, ACCESS HATCH, LOGO BADGE AND MAIN BODY ASSEMBLY AS PER MANUFACTURER'S SPECIFICATIONS.
4. ORIGINAL CERTIFICATION SHALL NOT BE CONSTRUED AS RELIEVING ANY OTHER PARTY OR THEIR RESPONSIBILITIES, LIABILITIES OR CONTRACTUAL OBLIGATIONS.

THE FITNESS FOR PURPOSE OF THIS STANDARD DRAWING FOR A SPECIFIC PROJECT SHALL BE ASSESSED AND ACCEPTED BY A SUITABLY QUALIFIED REGISTERED PROFESSIONAL ENGINEER OF QUEENSLAND (RPEQ).

	BRISBANE CITY COUNCIL STANDARD DRAWING		PUBLISH DATE
	5 METRE PEDESTRIAN LIGHT POLE ACCESS HATCH SHEET 4 OF 7		March 2021
			SCALE
			1:10
		DRAWING NUMBER	BSD-11005
ORIGINAL SIZE	REVISION		
A3	A		