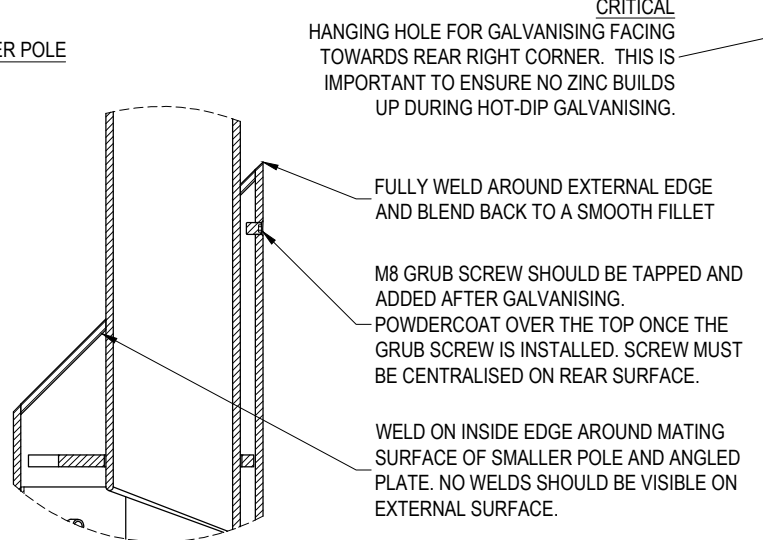
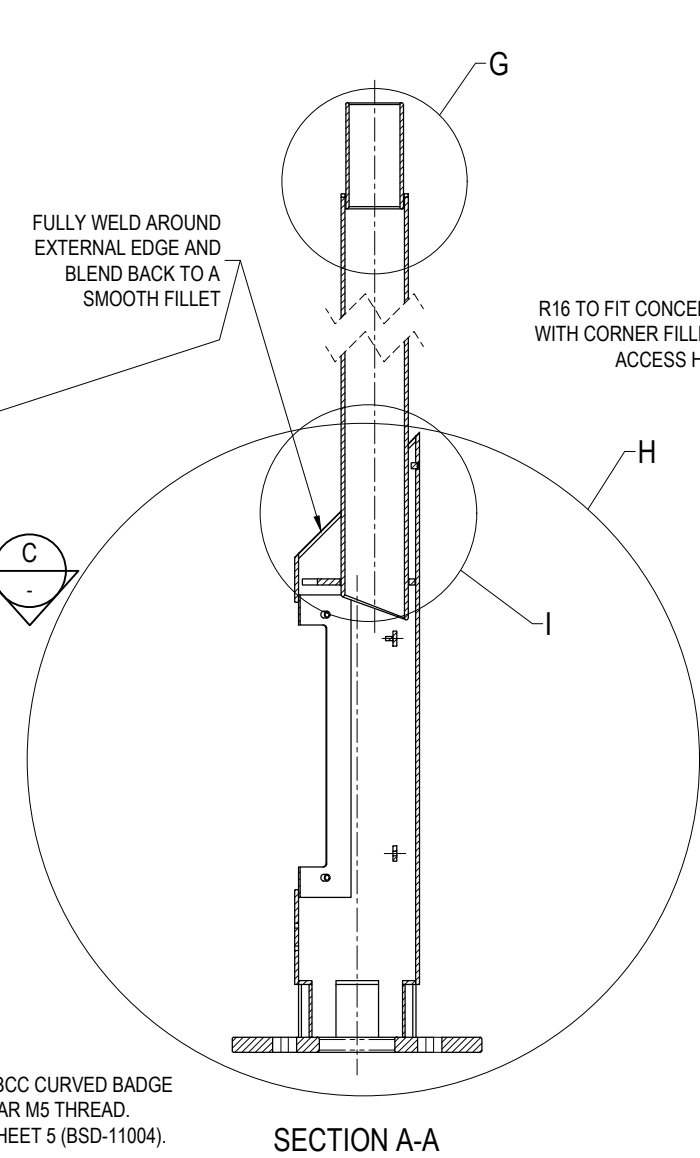
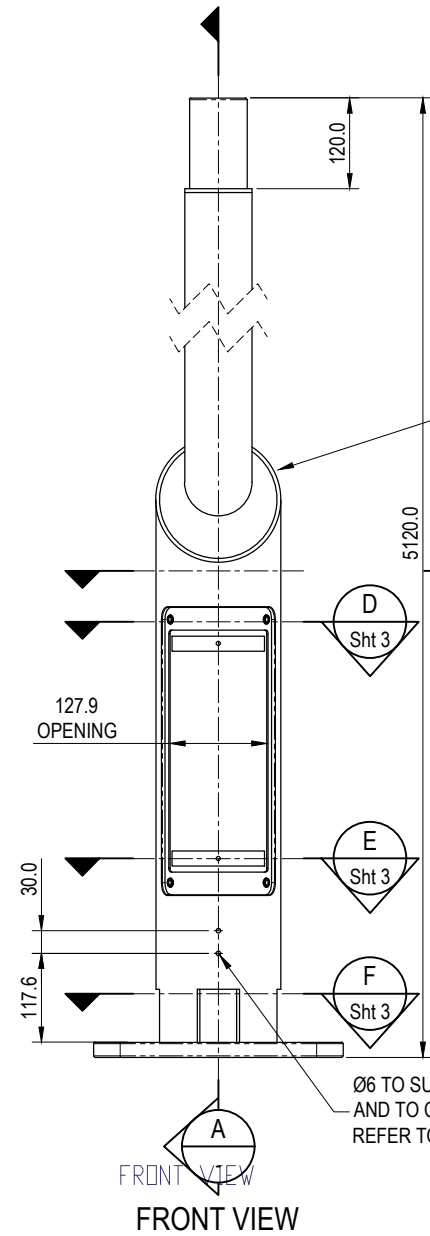


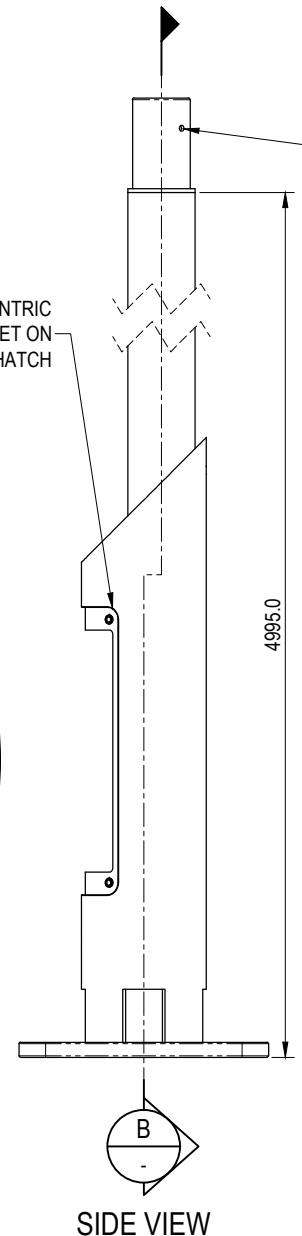
POLE ALIGNMENT PLATE DETAIL
SECTION C-C
SCALE 1:5



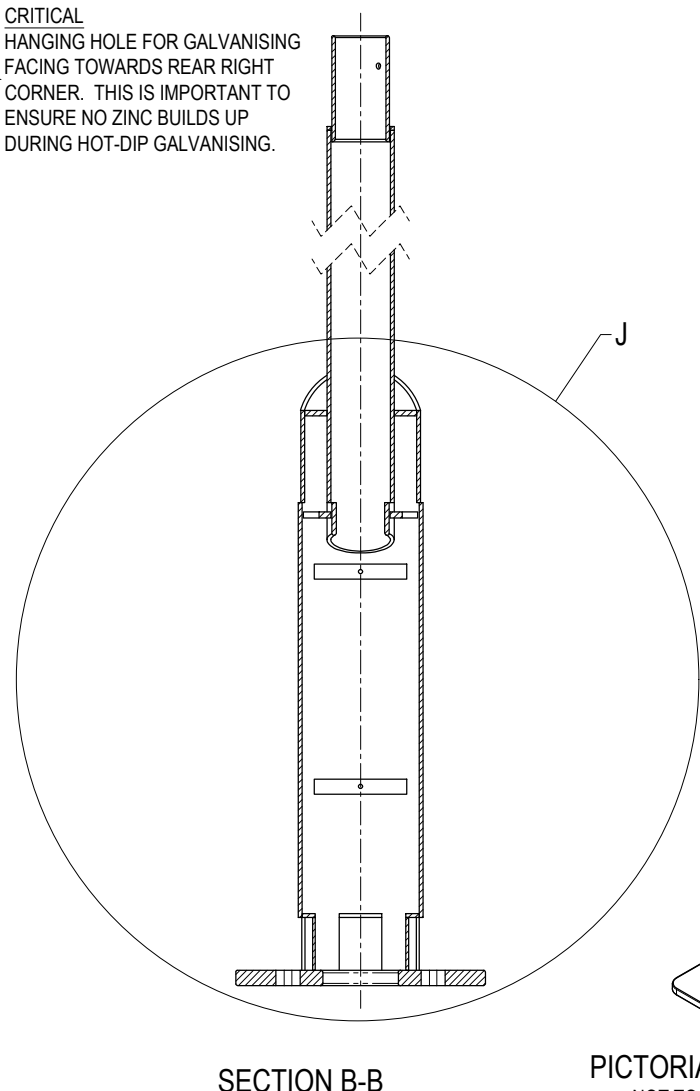
POLE REAR SHOULDER
AND AIR VENT DETAIL
DETAIL I
SCALE 1:5



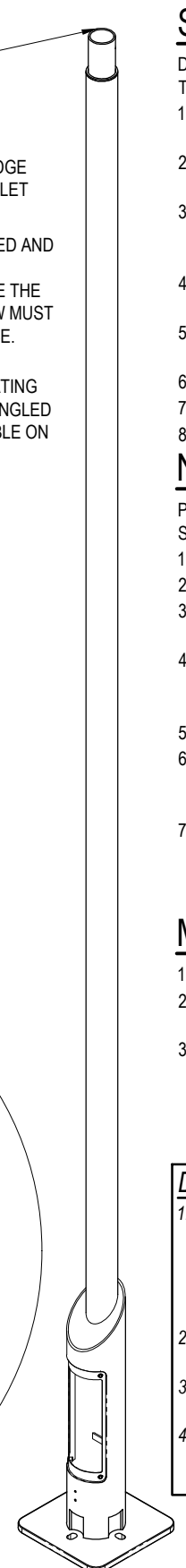
SECTION A-A



SIDE VIEW



SECTION B-B



PICTORIAL VIEW
NOT TO SCALE

STANDARDS

- DESIGNED IN ACCORDANCE WITH, FABRICATED AND INSTALLED TO MEET THE FOLLOWING STANDARDS:
- AS1428.4.1 - TACTILE GROUND SURFACE INDICATORS FOR THE ORIENTATION OF PEOPLE WITH VISION IMPAIRMENT.
 - AUSTROADS GUIDE TO ROAD DESIGN, PART 6B: ROADSIDE ENVIRONMENT.
 - AS1158.3.1 - ROAD LIGHTING, PART 3.1: PEDESTRIAN AREA (CATEGORY P) LIGHTING - PERFORMANCE AND INSTALLATION DESIGN REQUIREMENTS.
 - AS1627.4 - METAL FINISHING - PREPARATION AND PRE-TREATMENT OF SURFACES - ABRASIVE BLAST CLEANING OF STEEL.
 - AS2312/AMDT 1 - GUIDE TO PROTECTION OF IRON AND STEEL AGAINST EXTERIOR ATMOSPHERIC CORROSION.
 - AS4680 - HOT DIP GALVANISING.
 - AS4506 - METAL FINISHING-THERMOSET POWDER COATINGS.
 - AS/NZS3000 - ELECTRICAL INSTALLATIONS

NOTES

- PART SHOULD BE SUPPLIED CLEAN AND FREE FROM MARKS, BURRS, SCUFFS, DISTORTION AND WARPAGE.
- ALL TOLERANCES ± 1.5mm UNLESS OTHERWISE SPECIFIED.
 - DRAWING TO AS1100 DRAWING STANDARDS.
 - WELDING TO BE IN ACCORDANCE WITH AS1554.1 CAT GP WELDING, ALL SHARP EDGES & BURRS REMOVED.
 - POWDER COATING TO BE IN ACCORDANCE TO AS4506 EXTERNAL EXPOSURE STANDARD WITH PRE-TREATMENT SAND BLAST, ZINC PHOSPHATE, ETC.
 - ENSURE ANTI-SEIZE IS ON ALL NUTS AND BOLTS PRIOR TO ASSEMBLY.
 - 316 S.S. AND 316 S.S. FASTENERS TO BE USED THROUGHOUT FOR COASTAL INSTALLATIONS OR ANY ENVIRONMENT WITH HIGH CORROSION.
 - ANY DESIGN AMENDMENTS THAT DIFFER FROM THESE DRAWINGS, INCLUDING LUMINAIRE OR OTHER POLE LOADING REQUIREMENTS WILL REQUIRE CERTIFICATION FROM A SUITABLY QUALIFIED ENGINEER.


MATERIALS

- MATERIAL: MILD STEEL G350
- COLOUR: DULUX METROPOLIS STORM PEARL OR APPROVED EQUIVALENT.
- FINISH: HOT DIP GALVANISED AND POWDER COATED

DESIGN NOTES:

- STRUCTURAL ELEMENTS DESIGNED FOR THE FOLLOWING WIND CONDITIONS:
 - LOCATION AND WIND: CITY OF BRISBANE, REGION B, ULTIMATE VR: 57 m/s, SERVICEABILITY VR: 39m/s
 - COMPONENTS CERTIFIED: MAIN STRUCTURE
- SHOULD CONDITIONS VARY FROM THOSE DESCRIBED, SEEK PROFESSIONAL ENGINEERING ADVICE.
- LED LUMINAIRE, ACCESS HATCH, LOGO BADGE AND MAIN BODY ASSEMBLY AS PER MANUFACTURER'S SPECIFICATIONS.
- ORIGINAL CERTIFICATION SHALL NOT BE CONSTRUED AS RELIEVING ANY OTHER PARTY OR THEIR RESPONSIBILITIES, LIABILITIES OR CONTRACTUAL OBLIGATIONS.

THE FITNESS FOR PURPOSE OF THIS STANDARD DRAWING FOR A SPECIFIC PROJECT SHALL BE ASSESSED AND ACCEPTED BY A SUITABLY QUALIFIED REGISTERED PROFESSIONAL ENGINEER OF QUEENSLAND (RPEQ).

	BRISBANE CITY COUNCIL STANDARD DRAWING		PUBLISH DATE
	5 METRE PEDESTRIAN LIGHT POLE MAIN BODY SHEET 2 OF 7		March 2021
			SCALE
			1:10
			DRAWING NUMBER
			BSD-11005
			ORIGINAL SIZE
			A3
			REVISION
			A