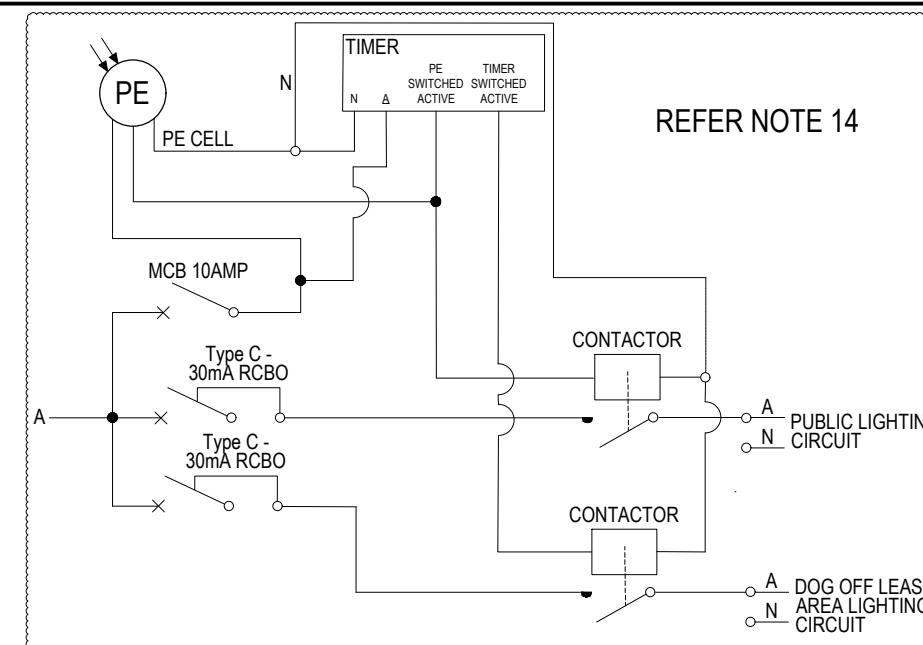
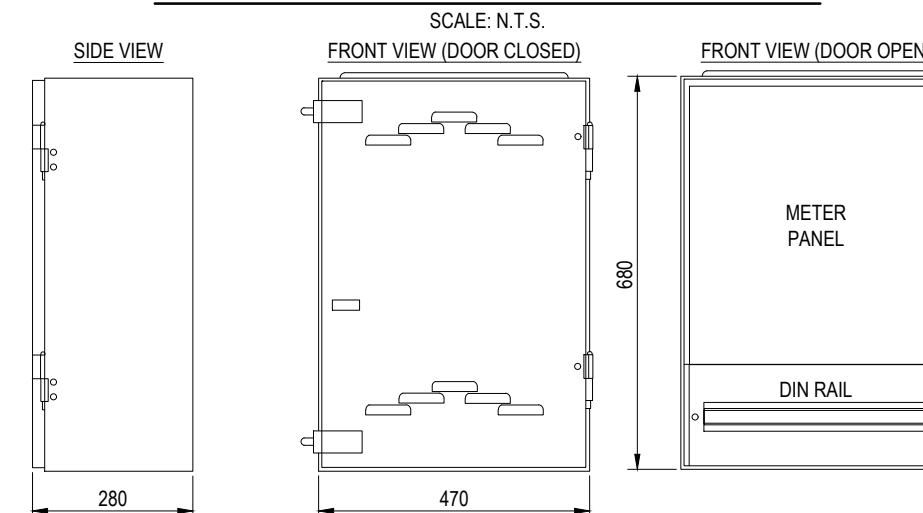


SWITCHBOARD SCHEMATIC DIAGRAM
SCALE: N.T.S.



TYPICAL PE CELL/TIME SWITCH LIGHTING CONTROL



TYPICAL SWITCHBOARD ENCLOSURE DIMENSIONS

NOTES:

- ELECTRICAL INSTALLATION SHALL COMPLY WITH AS/NZS3000 (WIRING RULES).
- ELECTRICAL INSTALLATION SHALL COMPLY WITH THE LATEST QUEENSLAND ELECTRICITY CONNECTION MANUAL (QECM) & QUEENSLAND ELECTRICITY METERING MANUAL (QEMM).
- FOR UNMETERED LIGHTING INSTALLATIONS - REMOVE ENERGESTX METER & POWER CIRCUIT FROM THE INSTALLATION.
- PE CELL TO BE INSTALLED EXTERNALLY AND TO BE MOUNTED UNDER SWITCHBOARD ENCLOSURE.
- THE ELECTRICAL CONDUIT FIXED TO TIMBER POLE SHALL BE MECHANICALLY PROTECTED BY A HOT DIP GALVANISED SURFACE MOUNT CABLE COVER.
- MAIN SWITCHBOARD AND CONTROL ARRANGEMENT SHALL BE AVAILABLE FROM ANY REPUTABLE ELECTRICAL WHOLESALER.
- SEAL ENDS OF CONDUITS WITH SILICON OR SIMILAR SUITABLE SEALANT TO PREVENT INGRESS OF VERMIN.
- SEAL EXTERNAL BASE OF STEEL POLES WITH MORTAR OR SIMILAR SUITABLE MATERIAL TO PREVENT INGRESS OF VERMIN.
- ALL DIMENSIONS SHOWN ARE INDICATIVE ONLY.
- IF TYPE B CIRCUIT BREAKERS ARE USED IN THE INSTALLATION, CLEARLY LABEL WITH MECHANICALLY AFFIXED TRAFFOLYTE LABEL OR EQUIVALENT ADJACENT TO THE CIRCUIT BREAKER.
- SWITCHBOARD TO BE LABELLED TO BCC STANDARD - SEE EQUIPMENT LIST.
- INSTALLATION SHALL COMPLY WITH BCC INFRASTRUCTURE INSTALLATION AND CONSTRUCTION REQUIREMENTS MANUAL (IICRM).
- THE DATE OF INITIAL CERTIFICATION OF THE INSTALLATION SHALL BE AVAILABLE ON-SITE, BY PERMANENT, INDELIBLE MARKING LOCATED INSIDE THE SWITCHBOARD ABOVE THE MAIN NEUTRAL LINK.
- LIGHTING CONTROL IS TYPICALLY VIA PE CELL ONLY. PE CELL/TIME SWITCH CONTROL CAN BE INSTALLED ONLY IF APPROVED BY BCC.
- ALL FIXINGS AND SUPPORTS TO BE GALVANIZED.

EQUIPMENT LIST

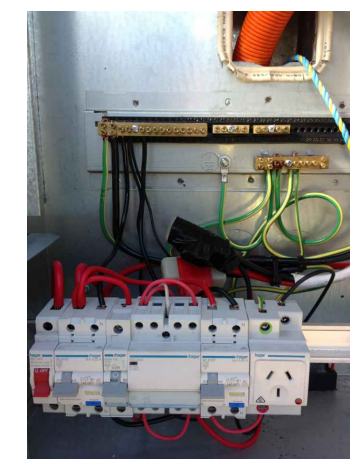
ITEM	DESCRIPTION
SWITCHBOARD ENCLOSURE	METER BOX - METAL, 21 MODULE SWITCHBOARD AND METER BOX - CLIPSAL OR APPROVED EQUIVALENT
MAIN SWITCH	63 AMP CIRCUIT BREAKER - DIN RAIL MOUNTED - 6kA - CLIPSAL OR APPROVED EQUIVALENT
POWER CIRCUIT (MCB/RCD COMBO)	20A - COMBINATION RCD/MCB, 1 MODULE, 1P+N, 30mA, 6kA, C-CURVE, STANDARD TYPE - CLIPSAL OR APPROVED EQUIVALENT (DO NOT INSTALL IF INSTALLATION IS UNMETERED)
LIGHT CIRCUIT (MCB/RCD COMBO)	AMP RATING OF RCBO DEPENDENT ON LIGHTING DESIGN - COMBINATION RCD/MCB, 1 MODULE, 1P+N, 30mA, 6kA, C-CURVE, STANDARD TYPE - CLIPSAL OR APPROVED EQUIVALENT
AUTO / MANUAL CHANGEOVER SWITCH	ISOLATOR SWITCH, MANUAL CHANGEOVER SWITCH, 1 POLE, 1 MODULE, 40A, MARKED AUTO OFF MAN - DIN RAIL MOUNTED - CLIPSAL OR APPROVED EQUIVALENT
CONTROL CIRCUIT BREAKER (MCB)	10 AMP - DIN RAIL MOUNTED - 6kA - CLIPSAL OR APPROVED EQUIVALENT
DIN RAIL MOUNT SOCKET OUTLET	250V 10A 3 PIN SOCKET OUTLET 4 MODULES WIDE - DIN RAIL MOUNTED
NEUTRAL LINK	INSULATED BASE TYPE - 16mm² SIZE TERMINALS - 1 MEN + 6 - 2 SCREW TYPE - 100 AMP RATING
EARTH LINK	16mm² SIZE TERMINALS - 1 MEN + 6 - 2 SCREW TYPE - 100 AMP RATING
CONTACTOR	MINIMUM 63 AMP - AC3 - 4 POLE - 240V - DIN RAIL MOUNTED - HAGER OR APPROVED EQUIVALENT
PE CELL	PHOTO MICROSWITCH - 1000 WATT OUTPUT - ATCO FM S220 BUTTON SIZE OR APPROVED EQUIVALENT
2x HASP & STAPLES	160mm HINGED HASP AND STAPLE - HOT DIP GALVANISED - LOCKWOOD OR APPROVED EQUIVALENT
2x PADLOCKS	BRISBANE CITY COUNCIL supplied AZ14 PADLOCKS
EXTERNAL SWITCHBOARD LABEL	TO BCC STANDARD - e.g. D1234S1, R0001C - CONTACT BCC ASSET SERVICES PARKS (IF SWITCHBOARD INSTALLED IN PARK) OR ASSET SERVICES CITY LIGHTING (IF SWITCHBOARD INSTALLED IN ROAD RESERVE) FOR SPECIFIC LABEL AND NUMBERING



OVERHEAD SUPPLY FOR SWITCHBOARD



TYPICAL MOUNTED SWITCHBOARD



TYPICAL INTERNAL OF SWITCHBOARD

THE FITNESS FOR PURPOSE OF THIS STANDARD DRAWING FOR A SPECIFIC PROJECT SHALL BE ASSESSED AND ACCEPTED BY A SUITABLY QUALIFIED REGISTERED PROFESSIONAL ENGINEER OF QUEENSLAND (RPEQ).



BRISBANE CITY COUNCIL STANDARD DRAWING

**PARKS MAIN SWITCHBOARD
OVERHEAD SUPPLY - DETAILS
SHEET 3 OF 4**

PUBLISH DATE		March 2021
SCALE		NOT TO SCALE
DRAWING NUMBER		BSD-11101
ORIGINAL SIZE	REVISION	
A3	A	