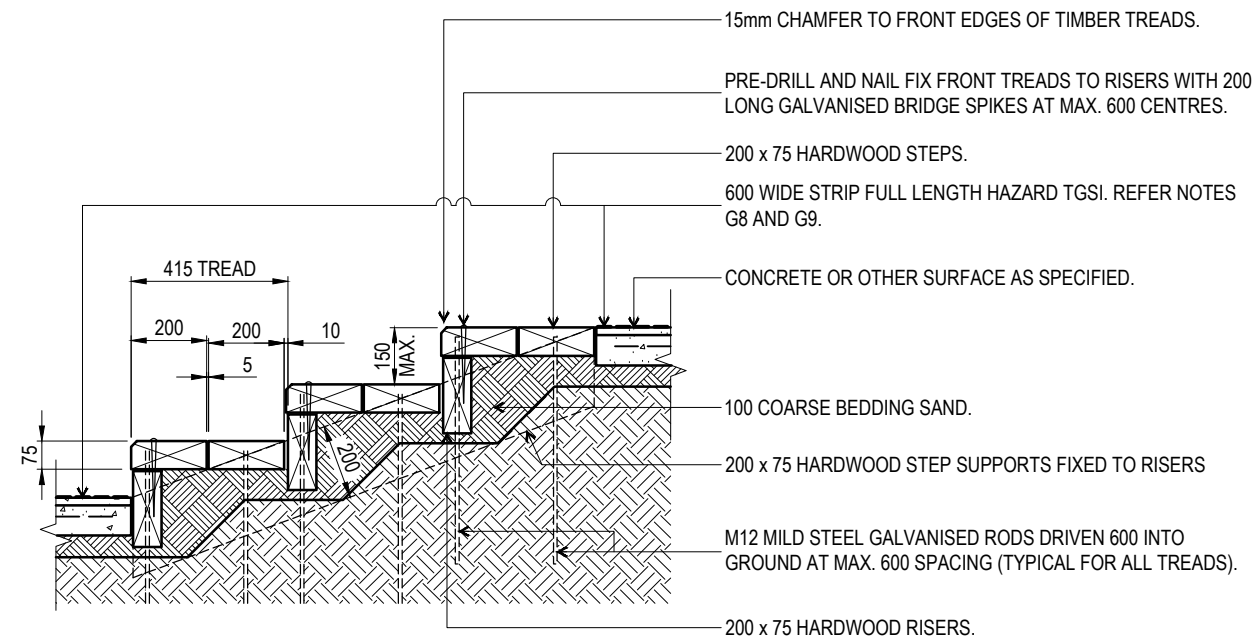


**CONCRETE & TIMBER STEPS - SECTION**



**TIMBER STEPS - SECTION**

**GENERAL NOTES & SPECIFICATIONS**

- G1. ENSURE STEPS ARE LOCATED IN ACCORDANCE WITH DETAILED LANDSCAPE PLAN AND PARKS CHAPTER OF INFRASTRUCTURE DESIGN PLANNING SCHEME POLICY.
- G2. AUSTRALIAN STANDARDS SHALL BE IN ACCORDANCE WITH THE CURRENT EDITIONS OF THE REFERENCED AUSTRALIAN STANDARDS EXCEPT WHERE VARIED BY SPECIFICATIONS AND/OR DRAWINGS.
- G3. MATERIAL CHOICES ARE TO BE DETERMINED ON THE GROUNDS OF SUSTAINABILITY, LOW MAINTENANCE, VANDAL RESISTANCE, PRODUCT AVAILABILITY AND SUITABILITY TO THE CLIMATIC CONDITIONS. MATERIALS ARE TO BE LOCALLY SOURCED.
- G4. ENSURE STEPS ARE CLEANED OF CONCRETE SLURRY OR SPRAY WHEN INSTALLED TO PREVENT STAINING OR DAMAGE TO APPLIED FINISHES.
- G5. COLOUR SELECTION IN ACCORDANCE WITH STANDARD BCC CORPORATE COLOUR PALETTE (& AS2700 EQUIVALENT).
- G6. FOR HANDRAIL REQUIREMENTS TO STEPS, REFER TO AUSTRALIAN STANDARDS FOR ACCESS & MOBILITY (AS1428).
- G7. REFER TO THE 'A CITY FOR EVERYONE: INCLUSIVE BRISBANE PLAN 2019-2029' FOR FURTHER INFORMATION WHEN PLANNING AND DESIGNING THE BUILT ENVIRONMENT TO REASONABLY CONSIDER ACCESS AND INCLUSION FOR ALL WHERE APPROPRIATE.
- G8. TACTILE GROUND SURFACE INDICATORS (TGS) IN ACCORDANCE WITH AS/NZS1428.4 DESIGN FOR ACCESS AND MOBILITY.
- G9. TGS TYPE/MATERIAL AND INSTALLATION AS PER BSD-5218.
- G10. ALL DIMENSIONS IN MILLIMETRES (U.N.O.).

**FIXTURES/FITTINGS & METAL WORK NOTES**

- F1. ALL WORKMANSHIP AND MATERIAL SHALL BE IN ACCORDANCE WITH AS4100 & AS/NZS1554.
- F2. ALL FIXTURES/FITTINGS UNLESS SPECIFIED ARE TO BE HOT DIPPED GALVANISED UNLESS IN VICINITY OF SALTWATER/SPRAY, ENSURE ALL FASTENERS SHALL BE STAINLESS STEEL. PLASTIC SEPARATORS SHALL BE PROVIDED TO AVOID CONTACT BETWEEN DISSIMILAR MATERIALS. STAINLESS STEEL GRADE 316 TO BE USED. WHERE POSSIBLE ALL FIXINGS TO BE TAMPER/VANDAL PROOF TO MINIMISE DAMAGE OR THEFT.

**CONCRETE WORK NOTES**

- C1. ALL WORKMANSHIP AND MATERIAL SHALL BE IN ACCORDANCE WITH AS3600.
- C2. ALL CEMENT TO BE TYPE GP OR GB TO AS3972 UNLESS SPECIFIED OTHERWISE.
- C3. NORMAL AGGREGATE SIZE TO BE 20MM, SLUMP TO BE NOT GREATER THAN 80mm.
- C4. AT A MINIMUM ALL CONCRETE TO BE GRADE N25. CONCRETE SHALL BE NORMAL CLASS CONCRETE UNLESS DIRECTED OTHERWISE. N25 SHALL MEAN NORMAL CLASS CONCRETE WITH A 28 DAY CHARACTERISTIC STRENGTH OF 25MPa. CONCRETE MIX DESIGN SHALL BE SUBMITTED TO THE SITE SUPERINTENDENT FOR APPROVAL FIVE (5) DAYS PRIOR TO ORDERING.
- C5. ALL CONCRETE TO BE BROOM FINISHED 100 MIN. THICKNESS FOR TREADS. ALL CONCRETE WORKS TO BE REINFORCED MIN. SL72 MESH PLACED CENTRALLY (ENSURE MIN. TOP COVER OF 50).
- C6. FOR SLIP RESISTANCE REQUIREMENTS, REFER REFERENCE SPECIFICATIONS FOR ENGINEERING WORK S155 ROAD PAVEMENT MARKING.

**TIMBER NOTES**

- T1. TIMBER SHOULD BE SOURCED FROM LEGAL AND SUSTAINABLE SOURCES. TIMBERS ARE CONSIDERED ACCEPTABLE WHERE THERE IS A HIGH DEGREE OF CERTAINTY THAT THEY ARE FROM FORESTS, EITHER NATIVE OR PLANTATION, THAT ARE LEGALLY HARVESTED AND SUSTAINABILITY MANAGED. THE CONTRACTOR IS TO SUBMIT EVIDENCE THAT THE TIMBER HAS BEEN OBTAINED FROM A LEGAL AND SUSTAINABLE SOURCE.
- T2. ALL TIMBER TO BE ACQ PRESSURE TREATED OR TANALITH E (COPPER AZOL) TO AS1608 TREATED ROUGH SAWN APPEARANCE GRADE HARDWOOD OF ONE SPECIES.
- T3. ALL EXPOSED EDGES TO RECEIVE MIN. 5mm WIDE ARRIS.
- T4. PRIOR TO INSTALLATION, ALL CUTS, EDGES, JOINTS TO RECEIVE LIBERAL COATINGS WITH AN APPROVED TIMBER PRESERVATIVE
- T5. ALL TIMBER IN CONTACT WITH GROUND TO BE PRESERVATIVE TREATED TO HAZARD CLASS H5 TO AS1604 AND HAVE A DURABILITY CLASS 1 OR 2 TO AS5604.
- T6. ALL TIMBER TO BE FREE OF KNOTS, SPLINTERS, CRACKS OR ANY MAJOR DEFECT.
- T7. TIMBER PRESERVATIVES - WHERE NO FINISH SPECIFIED, ALL TIMBER TO RECEIVE 3 No COATS OF CLEAR APPROVED TIMBER PRESERVATIVE SUCH AS COPPER NAPHTHENATE OIL (FOR ABOVE GROUND USE) AND COPPER NAPHTHENATE EMULSION (FOR BELOW GROUND USE) - COAT ENTIRE BOLLARD PRIOR TO PLACING. COLOUR SELECTION WHERE APPLICABLE IN ACCORDANCE WITH STANDARD CORPORATE COLOUR PALETTE.
- T8. ALL CONCRETE TREADS TO HAVE 1:50 MINIMUM FALL AWAY FROM RISERS.

THE FITNESS FOR PURPOSE OF THIS STANDARD DRAWING FOR A SPECIFIC PROJECT SHALL BE ASSESSED AND ACCEPTED BY A SUITABLY QUALIFIED REGISTERED PROFESSIONAL ENGINEER OF QUEENSLAND (RPEQ).

	<b>BRISBANE CITY COUNCIL STANDARD DRAWING</b>		PUBLISH DATE Mar '21
	<b>STEPS CONCRETE AND TIMBER</b>		SCALE 1:20
			DRAWING NUMBER BSD-5282
	ORIGINAL SIZE A3	REVISION C	