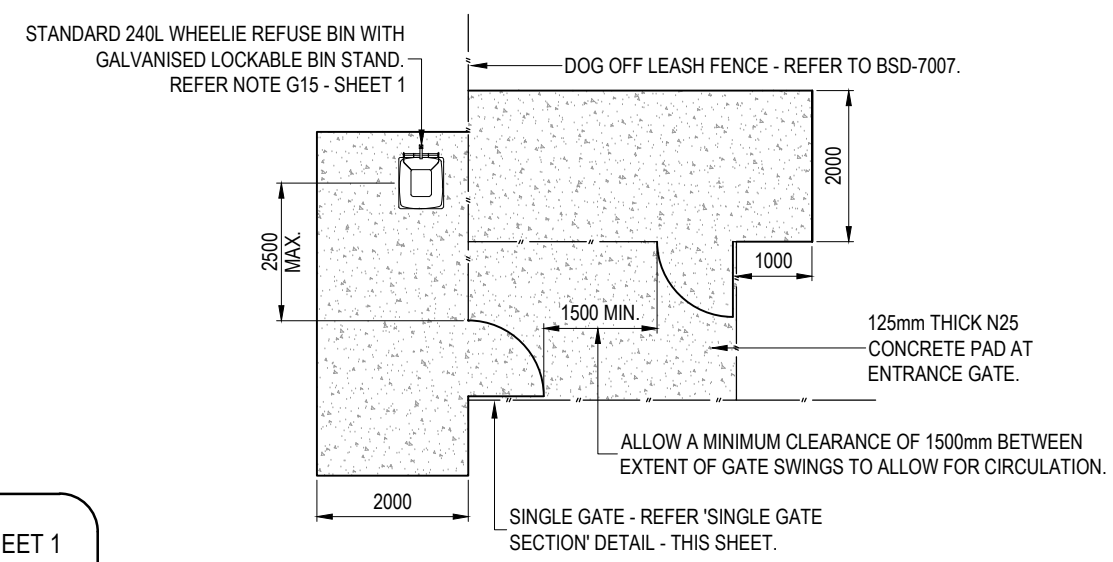
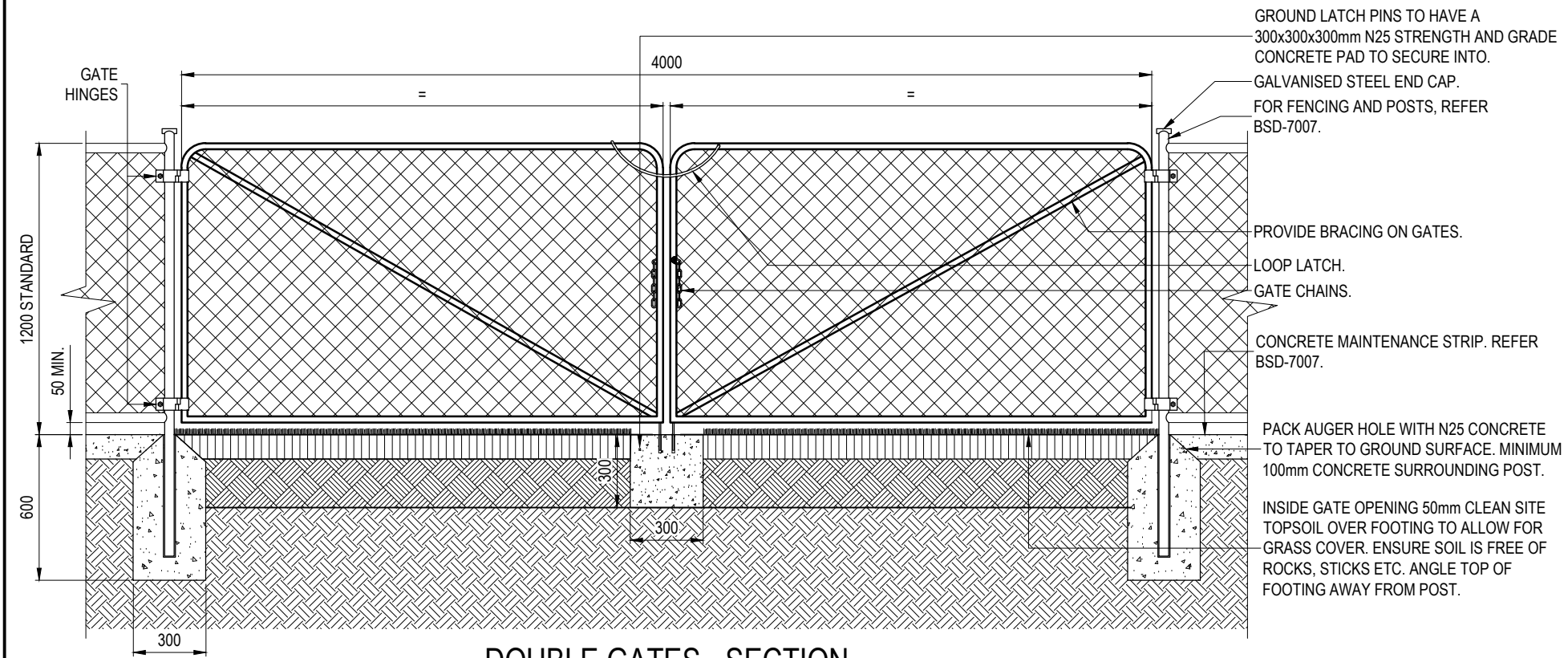


**SINGLE GATE - SECTION**  
SCALE: 1:25

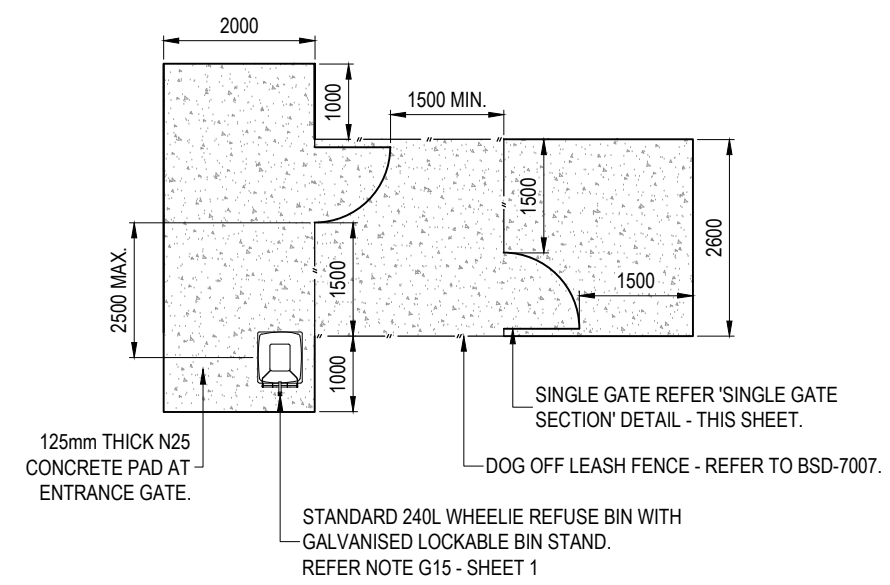
REFER TO BSD-7032 SHEET 1 OF 2 FOR ASSOCIATED SPECIFICATIONS.




**DOUBLE GATE ENCLOSURES - PLAN**  
SCALE: 1:100



**DOUBLE GATES - SECTION**  
SCALE: 1:25



	BRISBANE CITY COUNCIL STANDARD DRAWING		PUBLISH DATE	March 2021
	<b>GATES</b> <b>DOG OFF LEASH AREA</b> <b>SHEET 2 OF 2</b>		SCALE	AS SHOWN
			DRAWING NUMBER	BSD-7032
	ORIGINAL SIZE	A3	REVISION	D