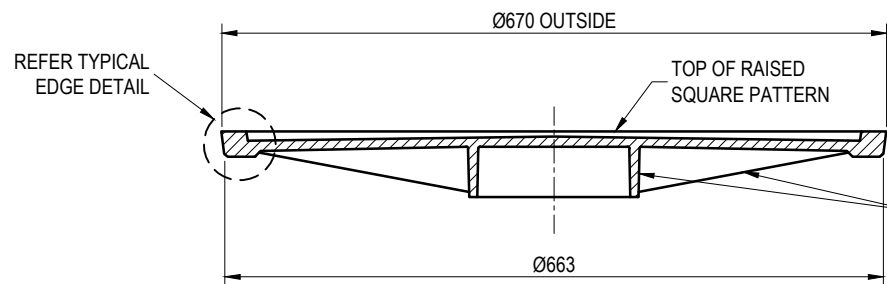
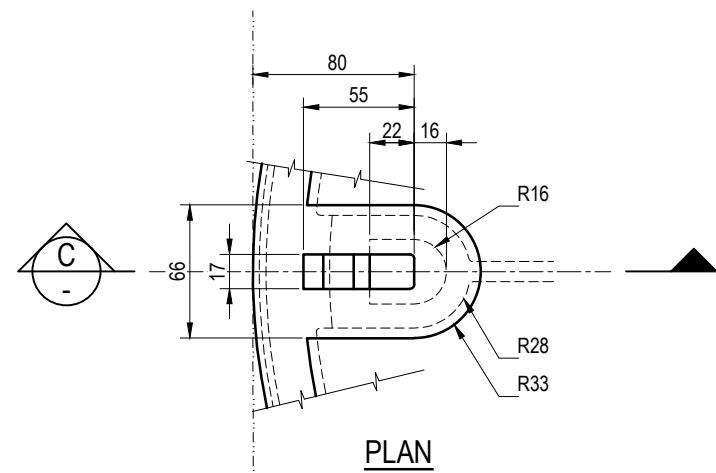


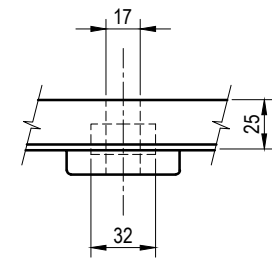
PLAN



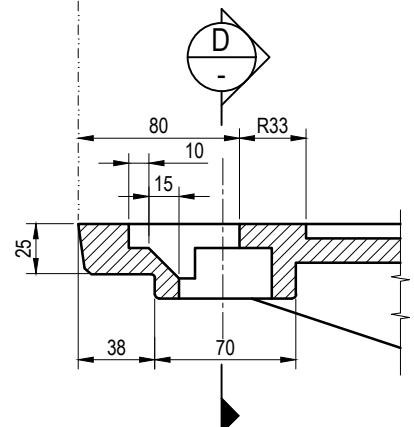
TYPICAL SECTION A
SCALE: N.T.S.



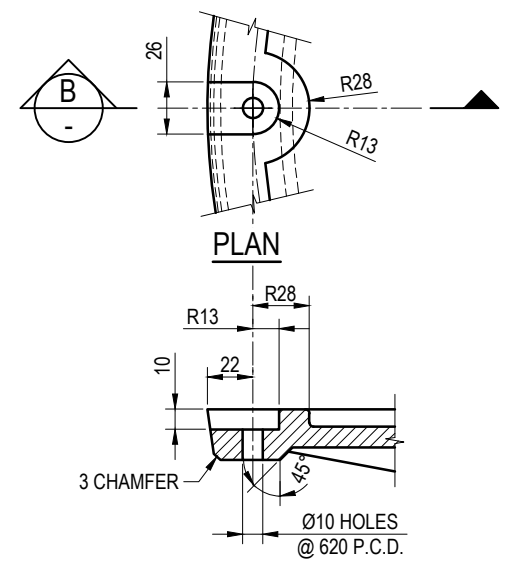
PLAN



END ELEVATION



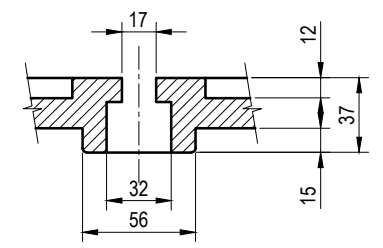
SECTION C
SCALE: N.T.S.



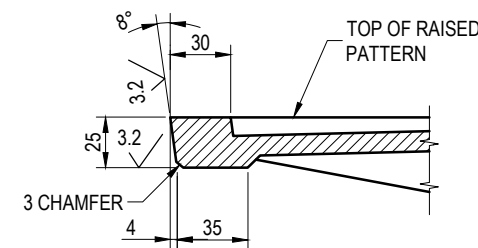
PLAN

SECTION B
SCALE: N.T.S.

BOLTING BOSS DETAIL



SECTION D
SCALE: N.T.S.




TYPICAL EDGE DETAIL

LIFTING KEYHOLE DETAIL

NOTES:

- PROPRIETARY PRODUCTS TO BE FULLY COMPLIABLE WITH BRISBANE CITY COUNCIL STANDARD MAINTENANCE HOLE FRAME (BSD-8031). PROPRIETARY COVERS MUST BE ABLE TO BE DIRECTLY SUBSTITUTED FOR EXISTING COVERS.
- MATERIAL: TYPICALLY CAST DUCTILE IRON. OTHER MATERIALS WILL BE CONSIDERED UPON REQUEST.
- ALL EDGES TO BE SQUARE.
- CASTING TO BE FREE OF BURRS AND PITS.
- DESIGN LOAD OF COVER = CLASS 'B' TO AS3996.
- MAXIMUM MASS OF COVER = 40Kg
- TOLERANCES
CAST SIZE: ±1.00mm
ANGLE PROFILE: ±0.25°
MACHINED SIZE: ±0.125mm
OVERALL DIAMETER OF COVER: +0mm-0.25mm
DRY FILM THICKNESS (DFT) OF COATING: 50µm
- MACHINE SURFACE SYMBOL $\sqrt{3.2}$
- ALL MACHINED SURFACES SHALL HAVE A COATING APPROVED AS FIT FOR THE PURPOSE OF PROVIDING A RUST PROOF, NON-STICK AND GAS/WATER PROOF JOINT. (HAVTEC-HS1 OR SIMILAR)
- COVERS TO BE BOLTED DOWN IF DIRECTED BY DESIGNER. MIN. TWO EXTRA LENGTH BOLTS MUST BE USED TO SECURE COVER AND RISER TO FRAME. REFER TO BSD-8032 FOR RISER DETAIL AND BOLT LENGTHS.
- COVER TO BE PERMANENTLY MARKED AS PER AS3996. MANUFACTURER NAME/REGISTERED TRADEMARK, STANDARD NUMBER, LOAD CLASS AND MASS TO BE DISPLAYED ON COVER SURFACE AS SHOWN. OTHER MARKINGS MAY BE MARKED ON THE UNDERSIDE OF THE COVER.
- DIMENSIONS IN MILLIMETERS (U.N.O.).

THE FITNESS FOR PURPOSE OF THIS STANDARD DRAWING FOR A SPECIFIC PROJECT SHALL BE ASSESSED AND ACCEPTED BY A SUITABLY QUALIFIED REGISTERED PROFESSIONAL ENGINEER OF QUEENSLAND (RPEQ).

	BRISBANE CITY COUNCIL STANDARD DRAWING		PUBLISH DATE	March 2021
	MAINTENANCE HOLE COVER (NON-ROADWAY) 1050 TO 1500 DIAMETER		SCALE	NOT TO SCALE
			DRAWING NUMBER	BSD-8034
	ORIGINAL SIZE	A3	REVISION	C