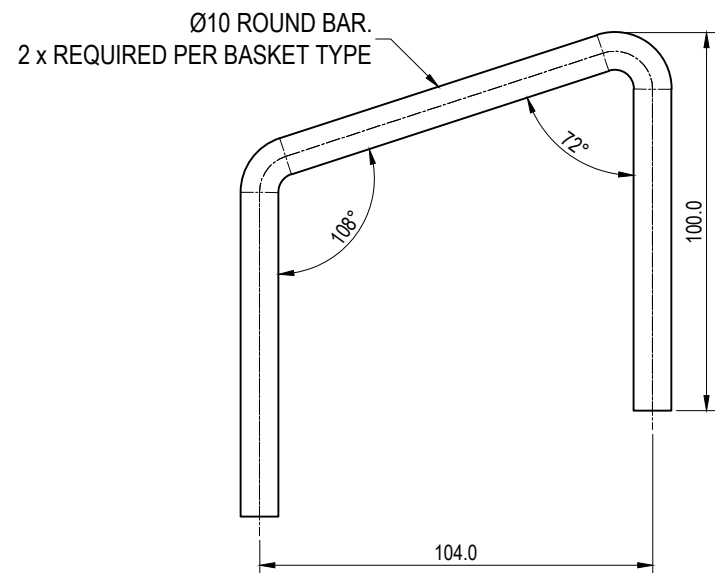
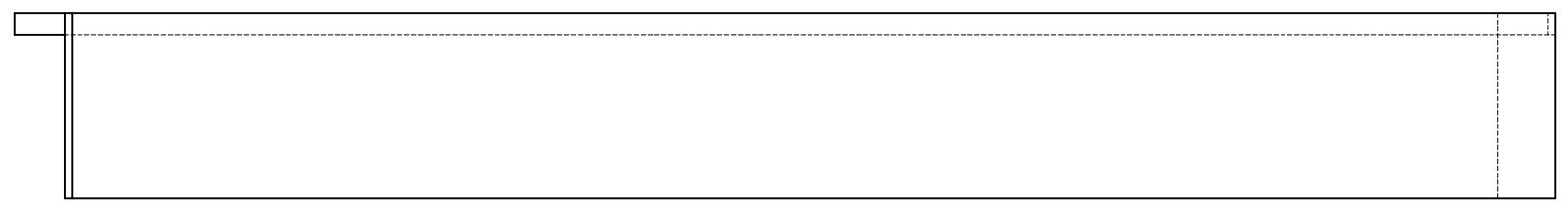


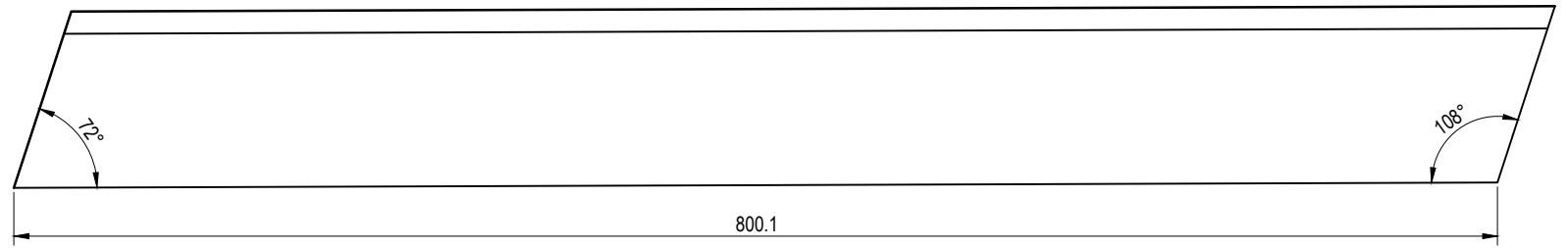
**HANDLE ATTACHMENT**  
(INSIDE OF GULLY BASKET)



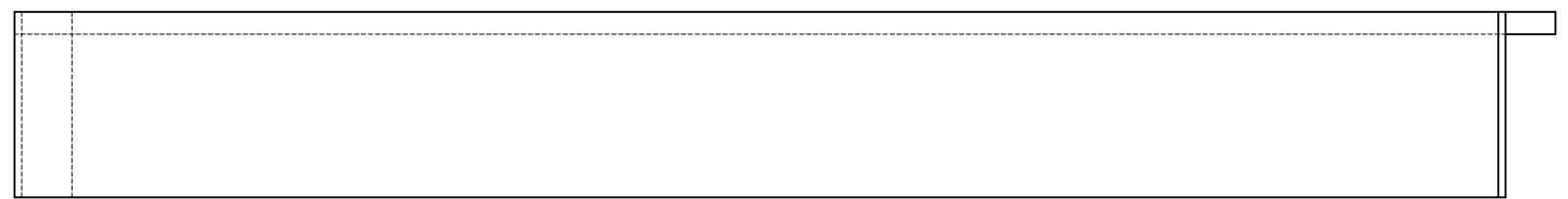
**HANDLE**



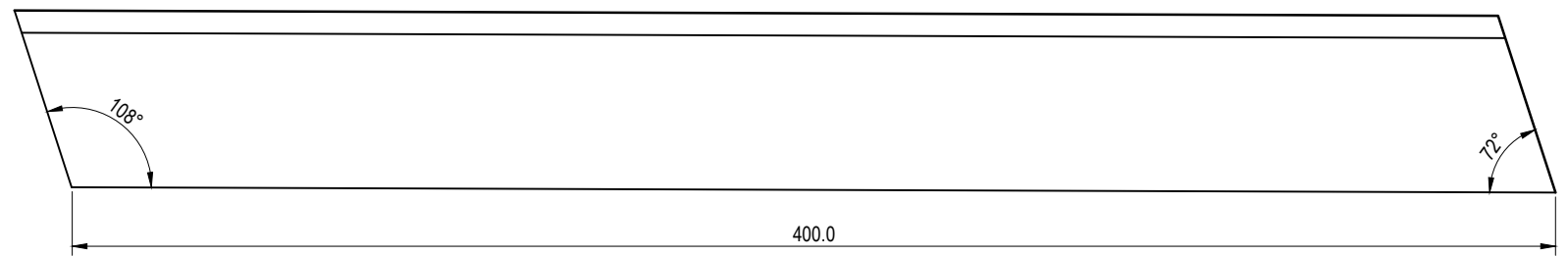
TOP VIEW



**RIGHT BASKET SUPPORT BRACKET**  
50x6 ANGLE  
ELEVATION



TOP VIEW




**LEFT BASKET SUPPORT BRACKET**  
50x6 ANGLE  
ELEVATION

**NOTES:**

1. BASKET SUPPORT BRACKETS: 50x6 ANGLE.
2. PAIR OF BASKET SUPPORT BRACKETS (ONE LEFT, ONE RIGHT) REQUIRED FOR EACH GULLY BASKET (TYPE 1 (LARGE) AND TYPE 2 (SMALL)).
3. HANDLE: Ø10 ROUND BAR.
4. HANDLE ARE SAME SIZE AND POSITION FOR TYPE 1 (LARGE) AND TYPE 2 (SMALL) GULLY BASKETS.
5. ALL WELDS TO BE 4mm CFW UNLESS NOTED OTHERWISE.
6. ALL SHARP EDGES ARE TO BE REMOVED PRIOR TO GALVANISING.
7. ALL DIMENSIONS IN MILLIMETRES (U.N.O.).

THE FITNESS FOR PURPOSE OF THIS STANDARD DRAWING FOR A SPECIFIC PROJECT SHALL BE ASSESSED AND ACCEPTED BY A SUITABLY QUALIFIED REGISTERED PROFESSIONAL ENGINEER OF QUEENSLAND (RPEQ).

	BRISBANE CITY COUNCIL STANDARD DRAWING		PUBLISH DATE	March 2021
	<b>STEEL GULLY BASKET</b> <b>BASKET SUPPORT BRACKET AND</b> <b>HANDLE DETAILS - SHEET 5 OF 6</b>		SCALE	NOT TO SCALE
			DRAWING NUMBER	BSD-8060
	ORIGINAL SIZE	A3	REVISION	A