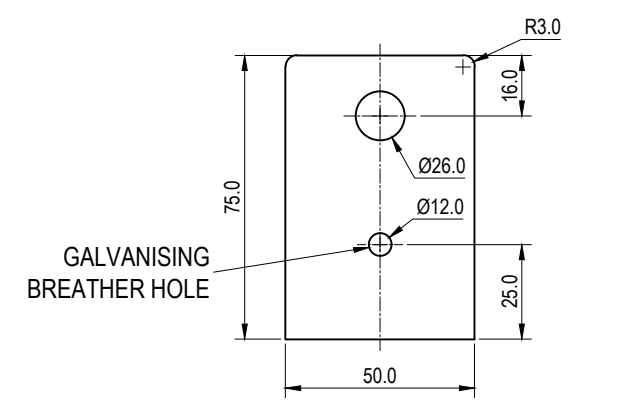
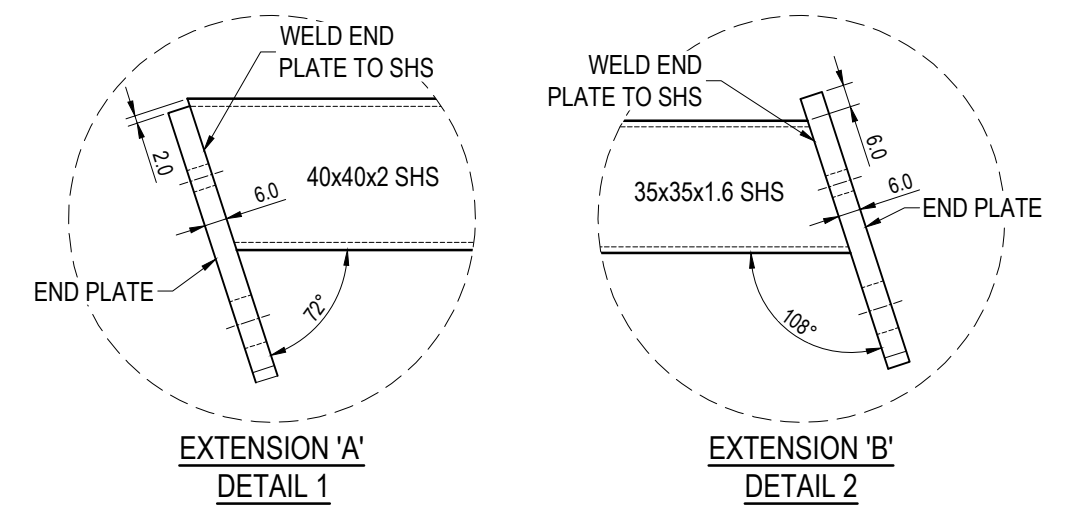
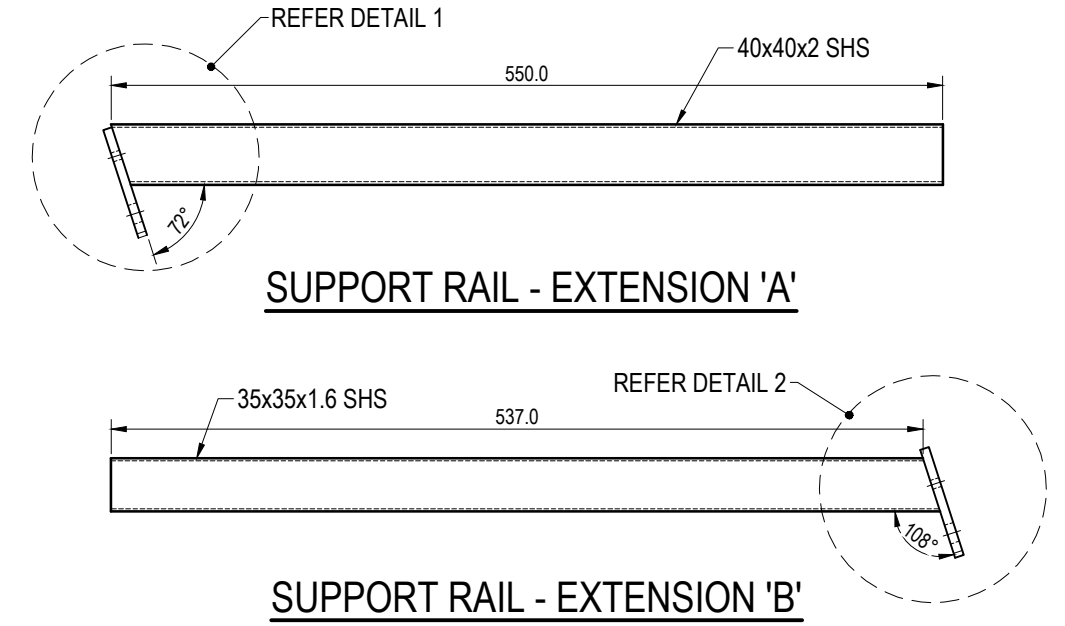


**GULLY BASKET INSTALLATION**  
STANDARD TYPE 'A' GULLY




**SUPPORT RAIL END PLATE**  
6mm THICK

**NOTES:**

1. MATERIAL:
  - EXTENSION 'A': 40x40x2 SHS.
  - EXTENSION 'B': 35x35x1.6 SHS.
2. ALL WELDS TO BE 4mm CFW UNLESS NOTED OTHERWISE.
3. HOT DIP GALVANISE SUPPORT RAILS (EXTENSIONS) TO AS/NZS4680 AFTER FABRICATION.
4. AFTER GALVANISING, ENSURE EXTENSION 'B' IS ABLE TO BE INSERTED INTO EXTENSION 'A'.
5. 2 PAIRS REQUIRED FOR EACH GULLY BASKET.
6. ALL SHARP EDGES ARE TO BE REMOVED PRIOR TO GALVANISING.
7. ALL DIMENSIONS IN MILLIMETRES (U.N.O.).

THE FITNESS FOR PURPOSE OF THIS STANDARD DRAWING FOR A SPECIFIC PROJECT SHALL BE ASSESSED AND ACCEPTED BY A SUITABLY QUALIFIED REGISTERED PROFESSIONAL ENGINEER OF QUEENSLAND (RPEQ).

	<b>BRISBANE CITY COUNCIL STANDARD DRAWING</b>		PUBLISH DATE March 2021	
	<b>STEEL GULLY BASKET SUPPORT RAILS (EXTENSIONS) AND INSTALLATION DETAILS - SHEET 6 OF 6</b>		SCALE NOT TO SCALE	
			DRAWING NUMBER <b>BSD-8060</b>	
			ORIGINAL SIZE <b>A3</b>	REVISION <b>A</b>