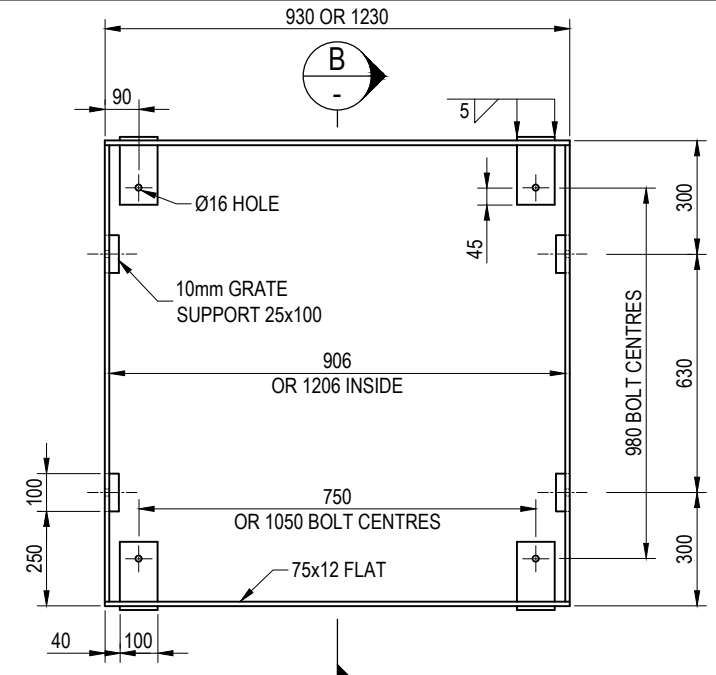
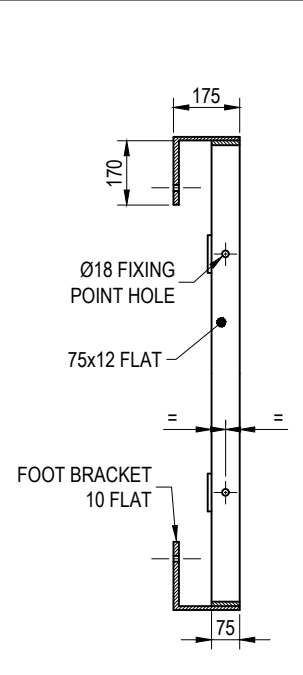


TYPE 1 - GRATE
(900x900 GRATE SHOWN)



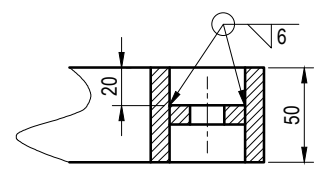
TYPE 1 - FRAME
(900x900 FRAME SHOWN)



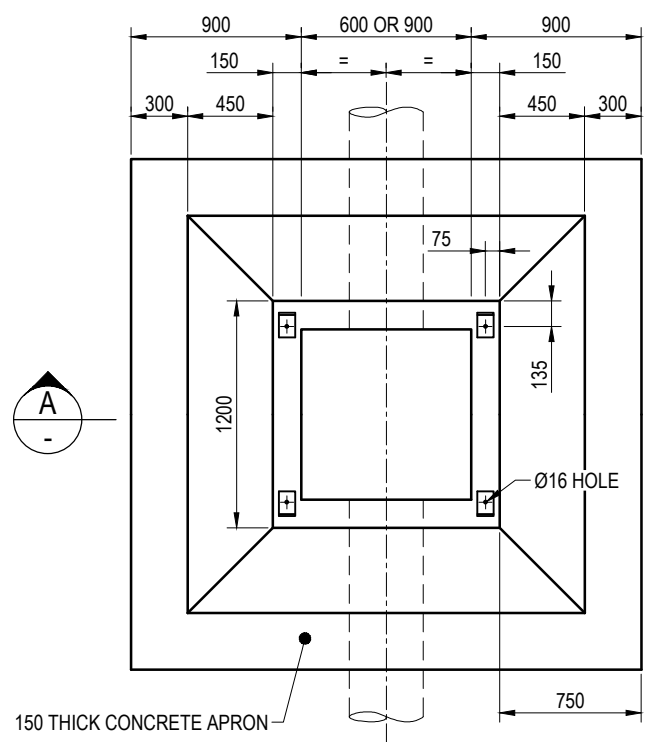
TYPE 1 - SECTION B-B

NOTES:

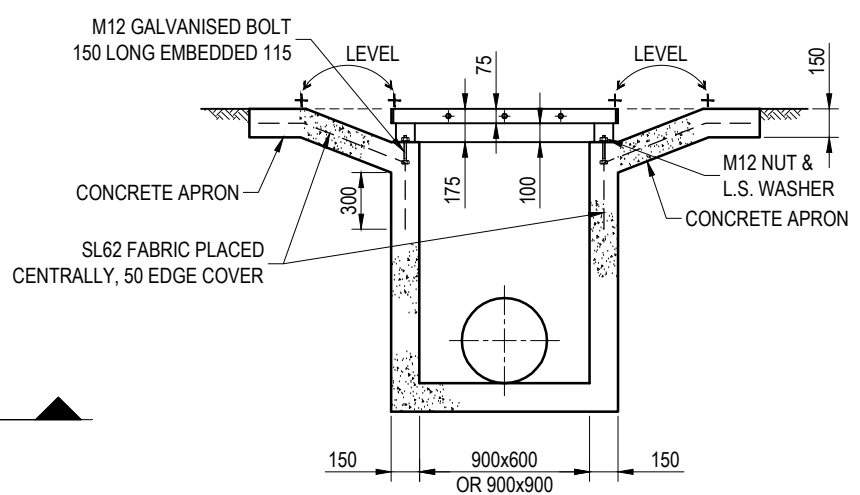
1. ALTERNATIVELY, A MODIFIED TYPE A GULLY (WITHOUT A LINTEL) TO ACCOMMODATE A FLUSH TYPE A GRATE/FRAME MAY BE ADOPTED.
2. CONCRETE N25 IN ACCORDANCE WITH AS1379 AND AS3600.
3. ALL WELDS TO AS1554. ALL WELDING SYMBOLS TO AS1101.3.
4. GRATE AND FRAME TO BE HOT DIP GALV. AFTER FABRICATION TO AS4680.
5. REINFORCING BARS GRADE 250 TO AS1302.
6. ALL FLATS GRADE 250 TO AS3678.
7. ALL ANGLES GRADE 250 TO AS3679.
8. GRATES AND FRAMES TO COMPLY WITH AS3996 CLASS B DESIGN.
9. BOLTS, NUTS AND WASHERS TO AS1252.
10. HOT DIP GALVANISE BOLTS AND NUTS TO AS1214. HOT DIP GALVANISED WASHERS TO AS4680.
11. FIELD INLETS DEEPER 1.80m ARE PERMITTED ONLY WITH THE PRIOR APPROVAL OF COUNCIL.
12. FIELD INLETS DEEPER THAN 1.80m TO BE INDIVIDUALLY DESIGNED UNDER THE DIRECTION OF A SUITABLY QUALIFIED REGISTERED PROFESSIONAL ENGINEER OF QUEENSLAND (RPEQ).
13. INSTALL STEP IRONS OR FIXED ACCESS LADDERS IN ACCORDANCE WITH AS165 IN INLETS WITH DEPTHS GREATER THAN 1.20m.
14. DIMENSIONS IN MILLIMETRES (U.N.O.).



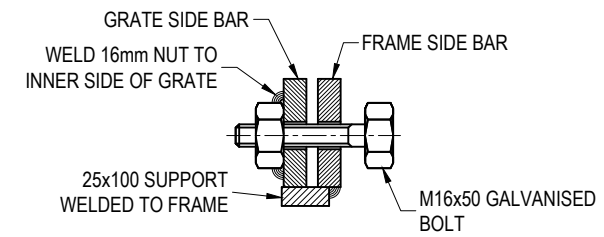
SECTION C-C



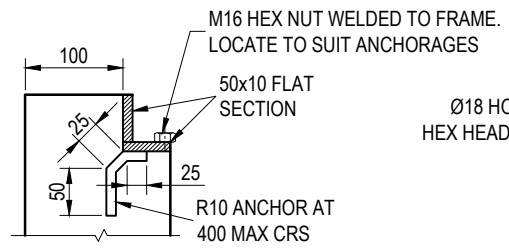
TYPE 1 - PLAN
(900x900 PIT SHOWN)
GRATE OMITTED FOR CLARITY



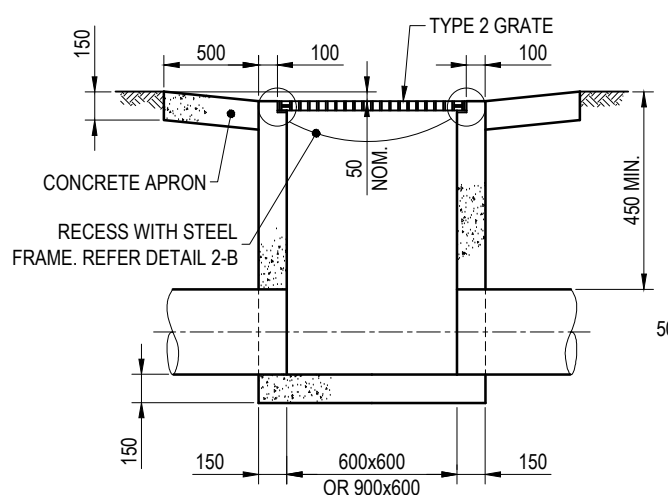
TYPE 1 - SECTION A-A



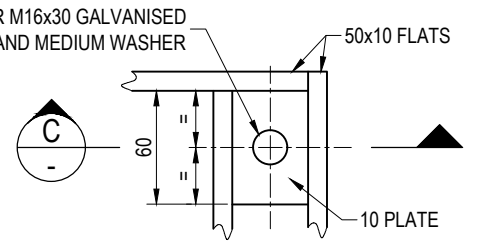
DETAIL 1-A
GRATE/FRAME FIXING POINT



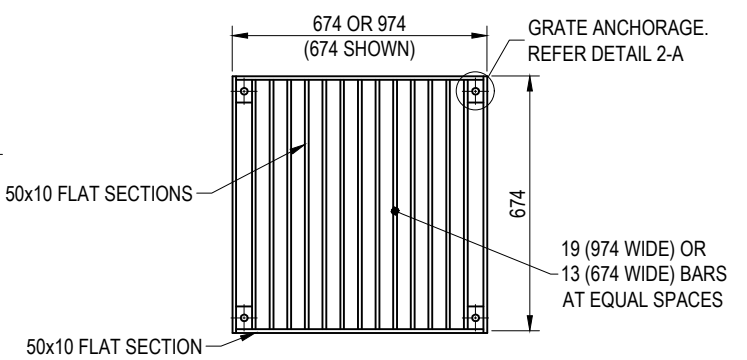
DETAIL 2-B



TYPE 2 - SECTION



DETAIL 2-A



TYPE 2 - GRATE

THE FITNESS FOR PURPOSE OF THIS STANDARD DRAWING FOR A SPECIFIC PROJECT SHALL BE ASSESSED AND ACCEPTED BY A SUITABLY QUALIFIED REGISTERED PROFESSIONAL ENGINEER OF QUEENSLAND (RPEQ).



BRISBANE CITY COUNCIL STANDARD DRAWING

**FIELD INLETS
TYPE 1 AND TYPE 2**

PUBLISH DATE		MAY 2021
SCALE		NOT TO SCALE
DRAWING NUMBER		BSD-8091
ORIGINAL SIZE	REVISION	
A3	C	