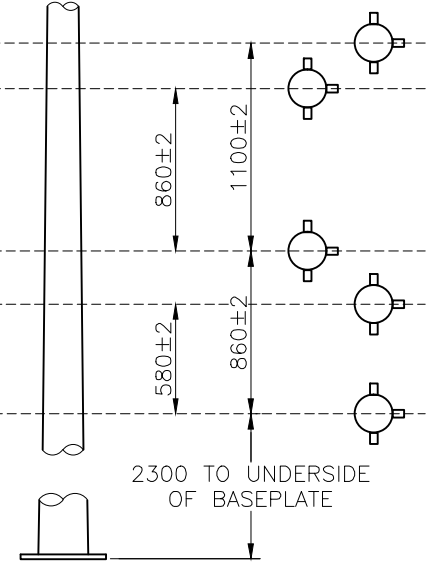
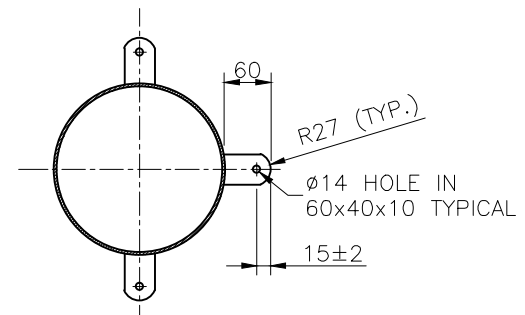


DIMENSION	
X	
	7.0m
	8.5m
	10.0m

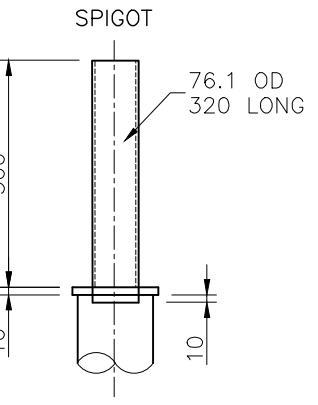


NOTE: DIMENSIONS BETWEEN FIXING LUGS APPLY FROM THE TOP FACE OF ONE LUG TO THE TOP FACE OF THE CORRESPONDING LUG

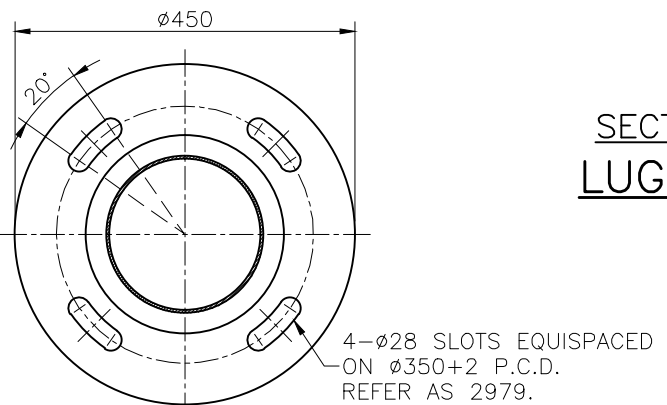
DETAIL C
COLUMN LANTERN FIXINGS



SECTION A-A
LUG DETAIL

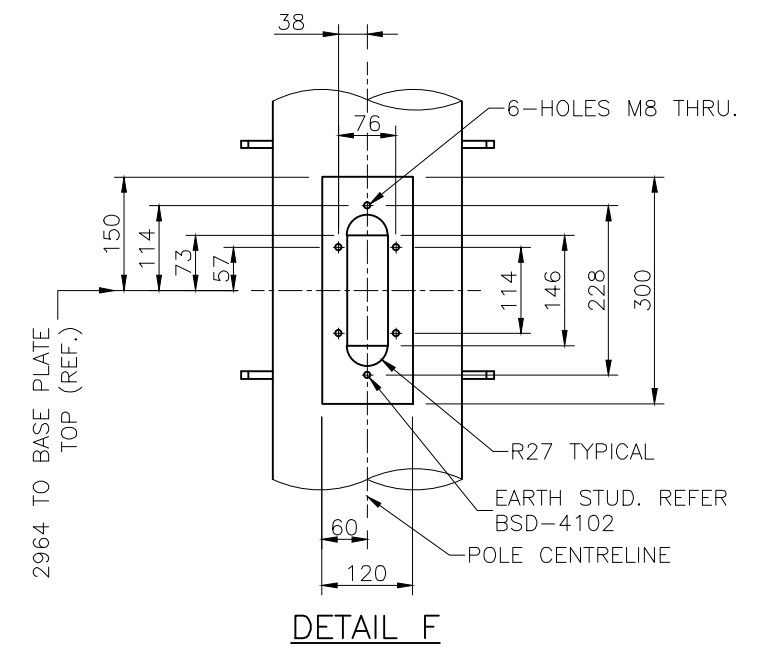


DETAIL D

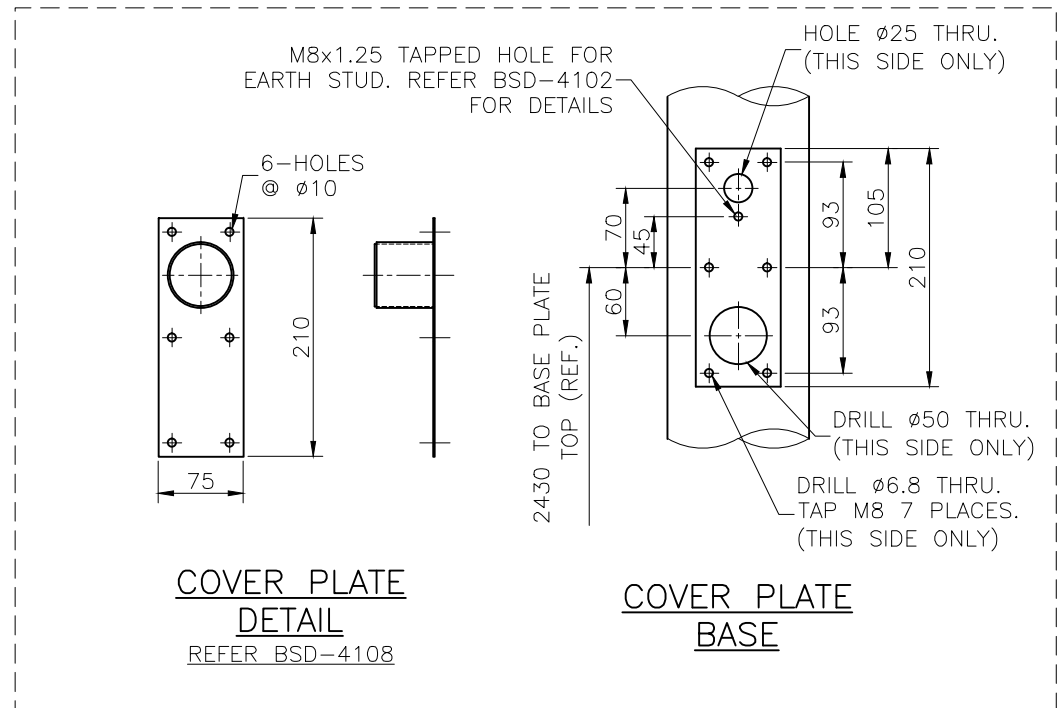


NOTE : RAGBOLTS TO BE N28 BAR WITH M24 THREAD

SECTION E-E
BASE PLATE



DETAIL F



DETAIL G
RATE 2 PUBLIC LIGHTING EARTH STUD COVER AND PLATE DETAIL

NOTES:

1. DIMENSIONAL TOLERANCE ± 0.5 (U.N.O.).
2. STEEL PLATES TO COMPLY WITH AS3678 GRADE 250 U.N.O.
3. STEEL BARS AND SECTIONS TO COMPLY WITH AS3879 GRADE 250 U.D.N.
4. FILLET WELDS TO COMPLY WITH AS1554 PART 1 CATEGORY GP U.D.N.
5. ALL SHARP EDGES AND BURRS TO BE REMOVED.
6. ALL TAPERED LOCK JOINT LENGTHS ARE NOMINAL.
7. ALL STEEL TO BE FULLY HOT DIP GALVANISED AFTER FABRICATION IN ACCORDANCE WITH AS/NZS4680.
8. FOR FOOTING DETAILS, REFER ENERGEX DRAWING 4927-A4/2 PAGE 21.
9. DIMENSIONS IN MILLIMETRES (U.N.O.).

ISSUE	AMENDMENT	DRAWN DATE	CHK'D DATE	APPR'D DATE
A	Drawing Converted from UMS Series April 2014	APR '14	APR '14	APR '14

DRAWING AUTHORISED FOR PUBLICATION
B. BALL SIGNATURE ON ORIGINAL DATED 29/6/01

MANAGER ASSET SUPPORT - R.P.E.Q. 3 8 5 2

DESIGN APPROVED
K. MEMORY SIGNATURE ON ORIGINAL DATED 27/6/01

SENIOR PROGRAM OFFICER NETWORK OPERATIONS - R.P.E.Q. 4 7 6 1

DESIGN	Std Dwg WG	DATE	April '01
DRAWN	CPD - P&D	DATE	April '01
CHECKED	R. WILSON	DATE	May '01
DRAWING FILENAME	BSD-4123.dwg		
ASSOCIATED PLANS	SUPERSEDES UMS-600-052		



BRISBANE CITY COUNCIL STANDARD DRAWING	
JOINT USE COLUMN DETAILS (BCC TYPE)	
SCALE	NOT TO SCALE
DWG No.	BSD-4123
ORIGINAL SIZE	A3
REVISION	A