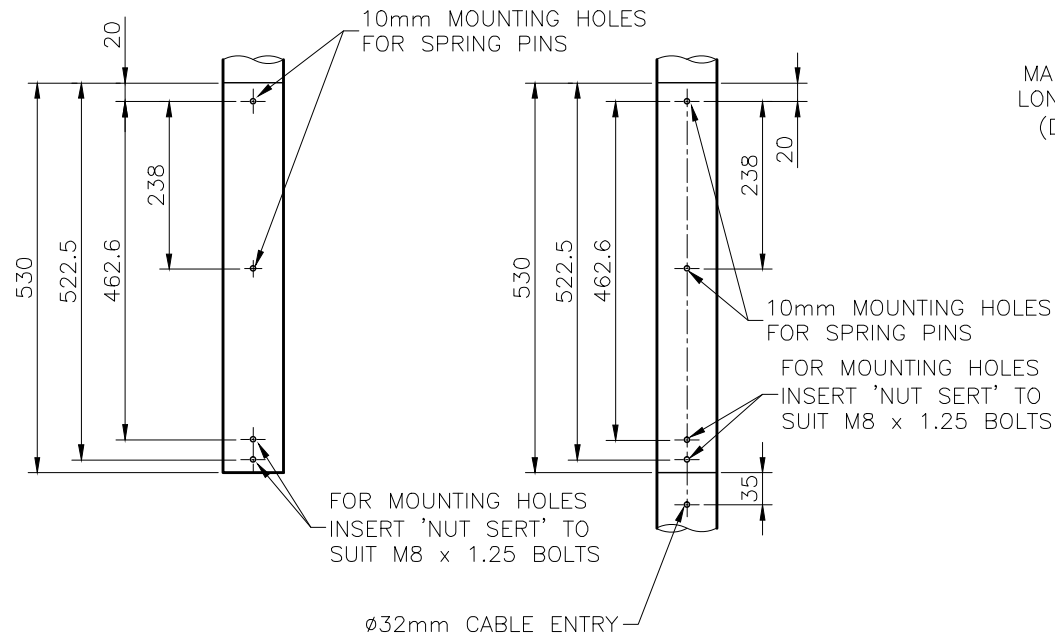


BUS POST VMS PLATE

- * DOUBLE SIDED SIGN PLATE (SEMI-CIRCULAR)
- * POWDER COAT FINISH - WHITE
- * SCREEN PRINTED WITH BRISBANE TRANSPORT AND TRANSLINK LOGOS AND INFORMATION NUMBER.

SOIL BEARING CAPACITY (kPa)	100	150
FOOTING DEPTH D _{MIN} (mm)	940	760

ELEVATION
NOT TO SCALE

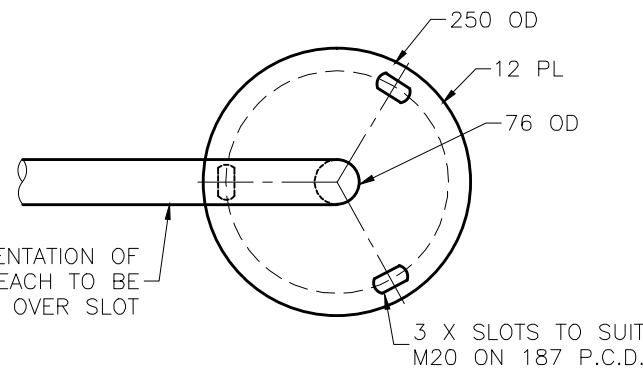


SECTION A-A
NOT TO SCALE

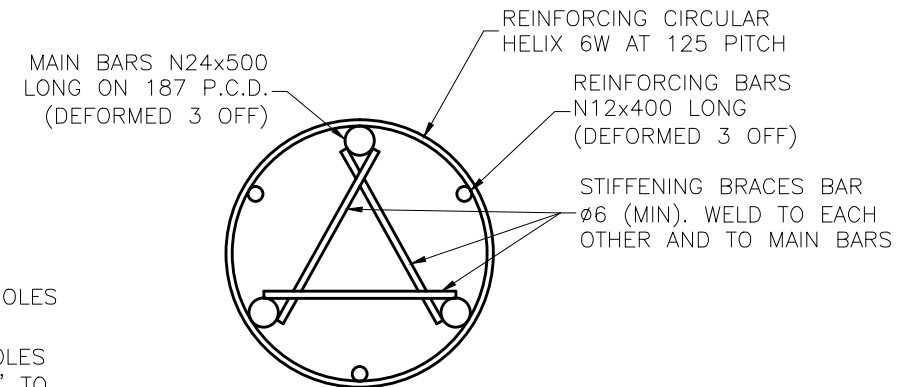
SECTION B-B
NOT TO SCALE

NOTES:

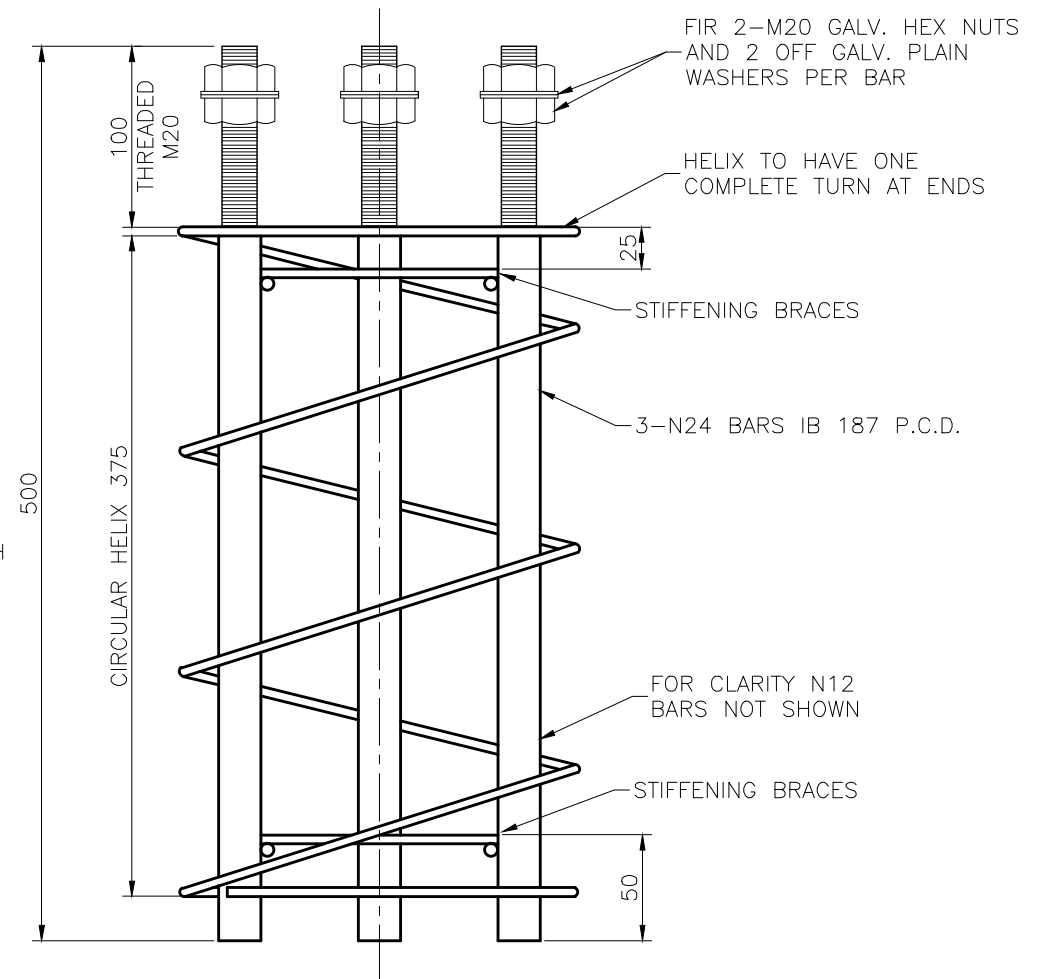
1. STEEL PLATES TO AS3678-250 U.N.O.
2. PIPE AND HOLLOW SECTIONS TO AS1163 GRADE C250 OR C350 U.N.O.
3. WELDS 6mm FILLET U.N.O. TO AS1554.1 GP, U.N.O.
4. GALVANISING TO AS1650.
5. AFTER GALVANISING REMOVE BURRS, SHARP EDGES AND TAP THREADS.
6. FLAT AND SECTIONS TO AS3679-250 U.N.O.
7. STAINLESS STEEL FITTINGS GRADE 304
8. FABRICATION TOLERANCES TO DWG No. W1-97-00 U.N.O.
9. CONCRETE SHALL BE N25.
10. A LICENSED ELECTRICAL WORKER SHALL SUPERVISE THE INSTALLATION OF THE CONDUIT.
11. WHERE EXISTING 16 CHARACTER SIGNS REQUIRE MAINTENANCE, REPLACE WITH NEW 20 CHARACTER SIGN.
12. DESIGN STANDARDS: AS4676-2000, AS1170.2-2002.
13. TERRAIN CATEGORY 2.5.
14. IMPORTANCE FACTOR 2.
15. ALL DIMENSIONS IN MILLIMETRES (U.N.O.).



BASE PLATE
NOT TO SCALE



FOUNDATION CAGE (INVERTED PLAN VIEW)
NOT TO SCALE



FOUNDATION CAGE
NOT TO SCALE

ISSUE	AMENDMENT	DRAWN DATE	CHK'D DATE	APPR'D DATE
A	Drawing Converted from UMS Series April 2014	APR '14	APR '14	APR '14

DESIGN	CPD (Traffic Sig)	DATE	Oct '05
DRAWN	CPD (Traffic Sig)	DATE	Oct '05
CHECKED	T & T (Signals Man)	DATE	Nov '05
DRAWING FILENAME	BSD-4301.dwg		
ASSOCIATED PLANS	SUPERSEDES UMS-600/070		



BRISBANE CITY COUNCIL STANDARD DRAWING	
SCALE: NOT TO SCALE	
DWG No. BSD-4301	
ORIGINAL SIZE: A3	REVISION: A

BUS POST FOR VARIABLE MESSAGE SIGNS (20 CHARACTER SIGN)