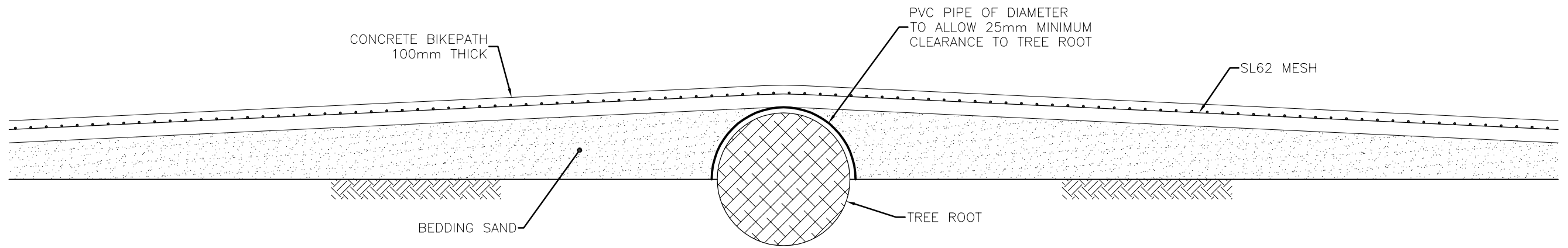


NOTES:

1. REFER BSD-5007 FOR CONCRETE BICYCLE PATH DETAILS.
2. ALL DIMENSIONS IN MILLIMETRES (U.N.O.).

ELEVATION

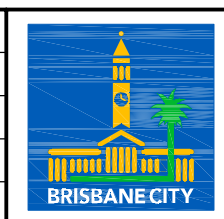


SECTION A-A

A	Drawing Converted from UMS Series April 2014	APR '14	APR '14	APR '14
ISSUE	AMENDMENT	DRAWN DATE	CHK'D DATE	APPR'D DATE

DRAWING AUTHORISED FOR PUBLICATION
 P COTTON SIGNATURE ON ORIGINAL
 DATED 21/03/06 R.P.E.Q. 2546
 ASSET ENGINEERING MANAGER
 STRATEGIC ASSET MANAGEMENT
 DESIGN APPROVED
 K FOSTER SIGNATURE ON ORIGINAL
 DATED 05/12/05
 SENIOR PROGRAM OFFICER
 LANDSCAPE AMENITY SECTION

DESIGN	Std Dwgs WG	DATE	May '03
DRAWN	CP0 - P&D	DATE	May '03
CHECKED	CA (GMc)	DATE	Nov '05
DRAWING FILENAME	BSD-5209.dwg		
ASSOCIATED PLANS	SUPERSEDES UMS-525		



BRISBANE CITY COUNCIL STANDARD DRAWING

SCALE: NOT TO SCALE

DWG No. **BSD-5209**

**ROOT PROTECTION
 ADJACENT TO
 COCNRTE BIKEPATHS**

ORIGINAL SIZE: A3 REVISION: A