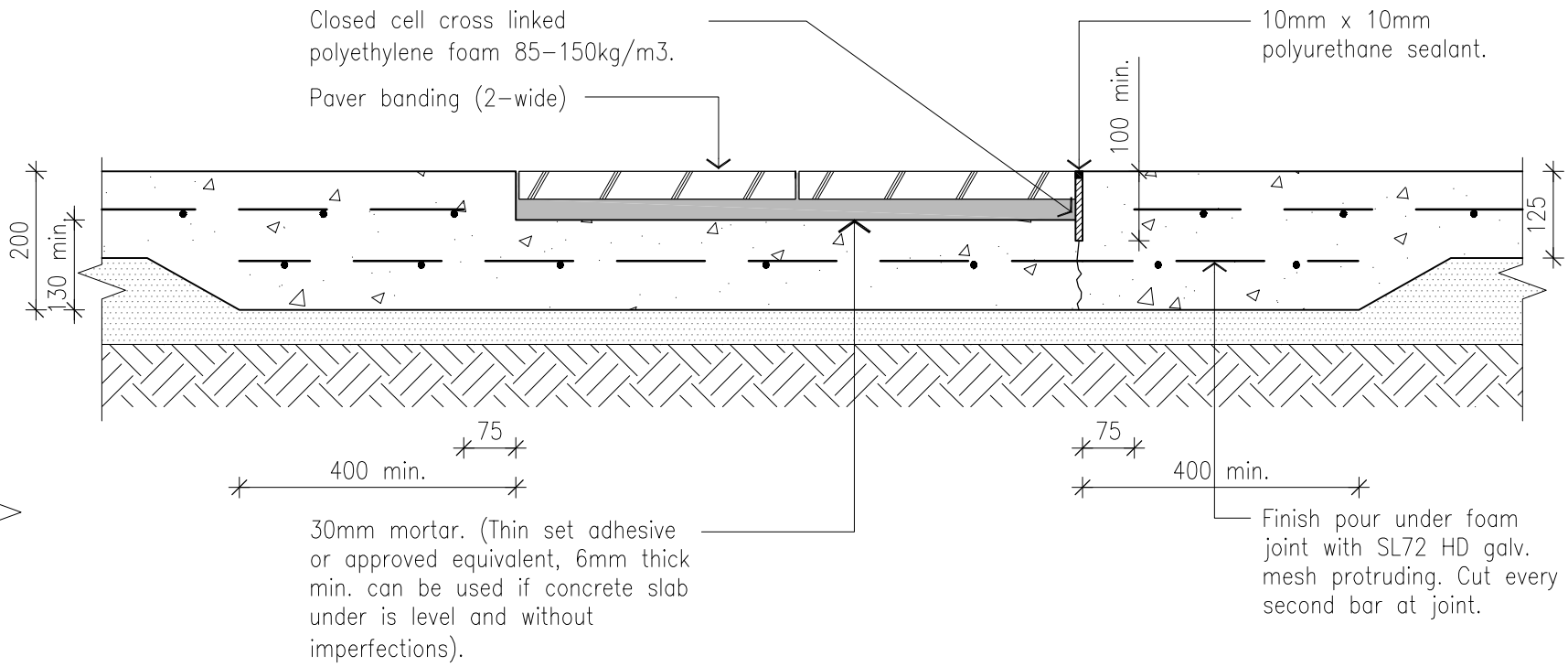


Closed cell cross linked polyethylene foam 85-150kg/m³ for each joint.

6mm thick galvanised diamond dowel and sleeve at 600mm crs. placed centrally for each joint.

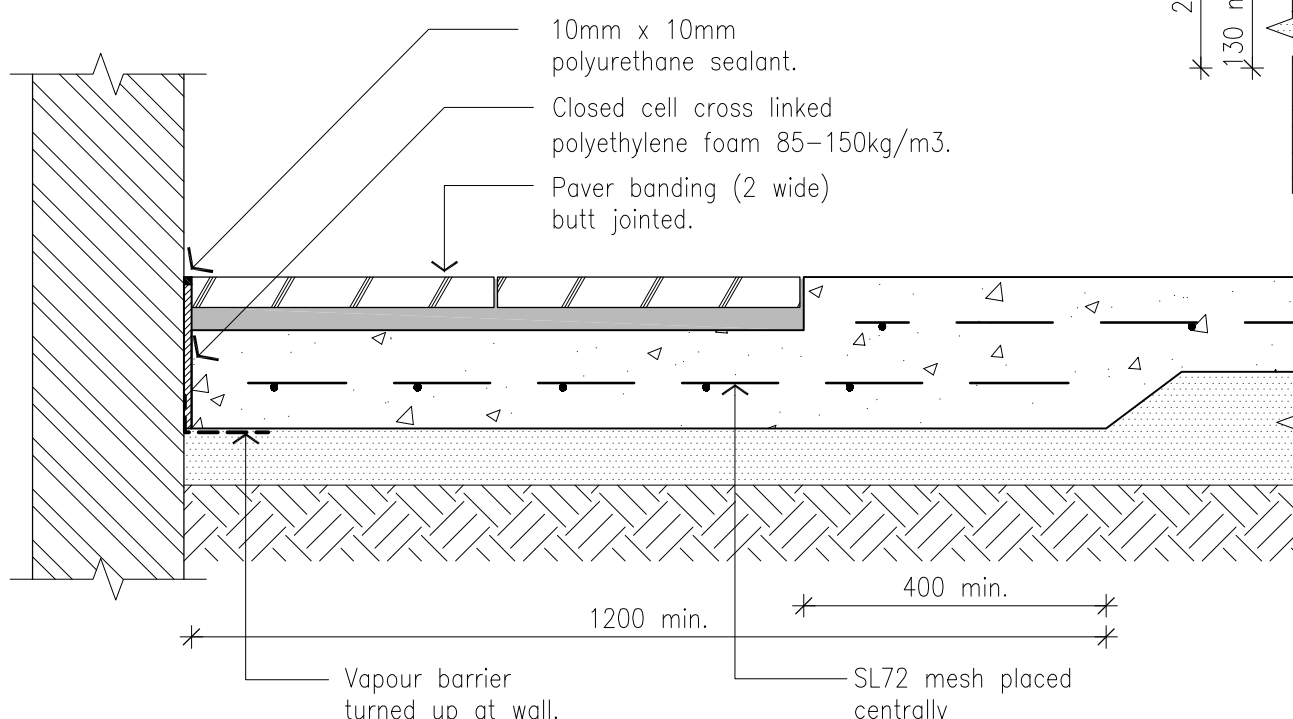
CONCRETE BANDING



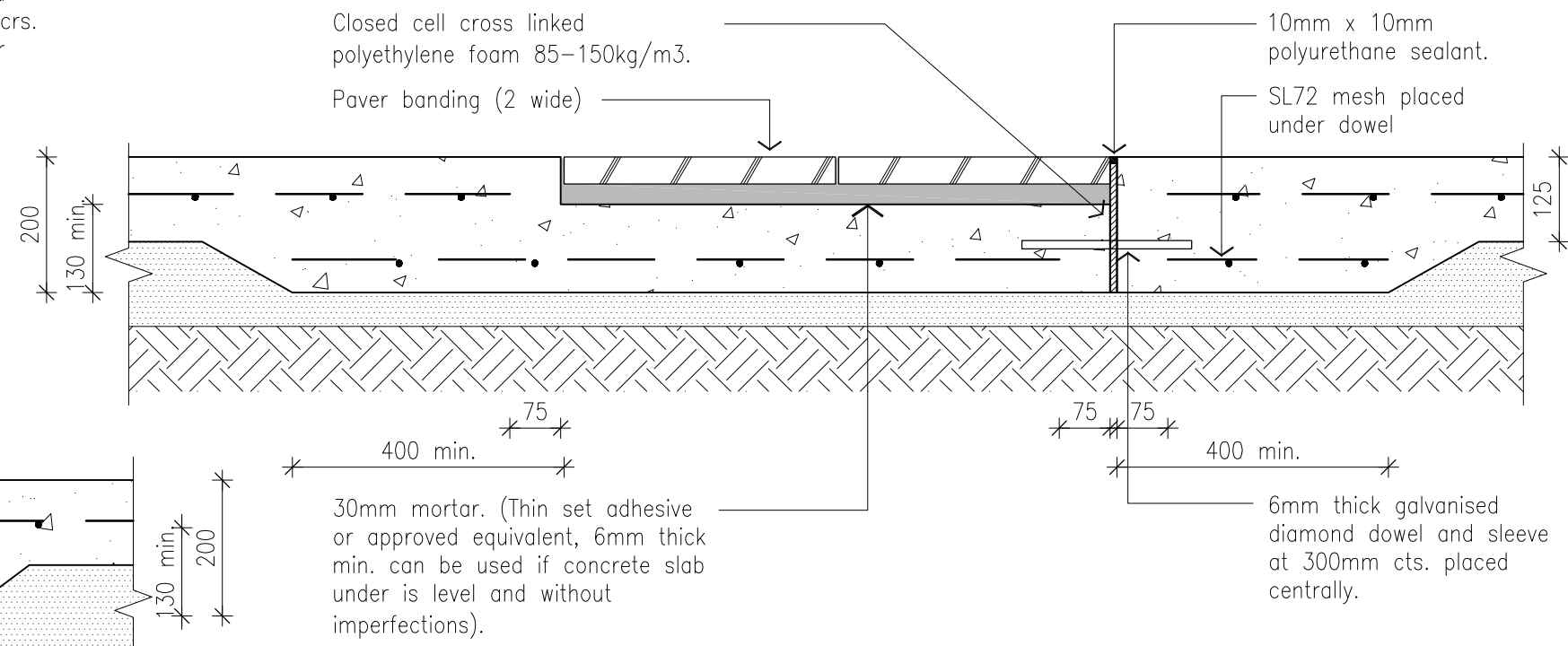
PAVER BANDING – CONTRACTION JOINT (CJ)

30mm mortar. (Thin set adhesive or approved equivalent, 6mm thick min. can be used if concrete slab under is level and without imperfections).

Finish pour under foam joint with SL72 HD galv. mesh protruding. Cut every second bar at joint.



PAVER BANDING – ISOLATION JOINT (IJ)



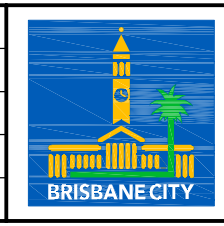
PAVER BANDING – EXPANSION JOINT (EJ)

STRUCTURAL DESIGN REVIEWED AND CERTIFIED FOR ISSUE
 NAME: B.BALAKUMAR SIGNATURE ON ORIGINAL RPEQ: 3 9 6 3
 SIGNATURE: _____ DATE: 28/07/10

ISSUE	AMENDMENT	DRAWN DATE	CHK'D DATE	APPR'D DATE
A	Drawing Converted from UMS Series April 2014	APR '14	APR '14	APR '14

DRAWING AUTHORISED FOR PUBLICATION
 P.COTTON SIGNATURE ON ORIGINAL
 R.P.E.Q. 2546
 ASSET ENGINEERING MANAGER
 STRATEGIC ASSET MANAGEMENT
 DESIGN APPROVED
 V.MARTIN SIGNATURE ON ORIGINAL
 DATED 27/6/10
 PRINCIPAL OFFICER
 URBAN DESIGN UNIT

DESIGN	Std Dwgs WG	DATE	June '10
DRAWN	CPD - P&D	DATE	June '10
CHECKED	D.K	DATE	June '10
DRAWING FILENAME	BSD-5211.dwg		
ASSOCIATED PLANS	SUPERSEDES UMS-546		



BRISBANE CITY COUNCIL STANDARD DRAWING

PAVER BANDING AND CONCRETE BANDING

SCALE: NOT TO SCALE
 DWG No. **BSD-5211**
 ORIGINAL SIZE: A3 REVISION: A