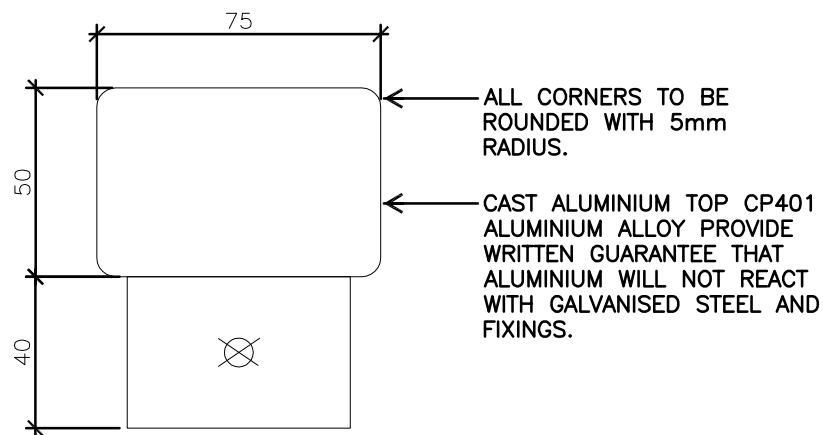


REMOVABLE BOLLARD - SECTION

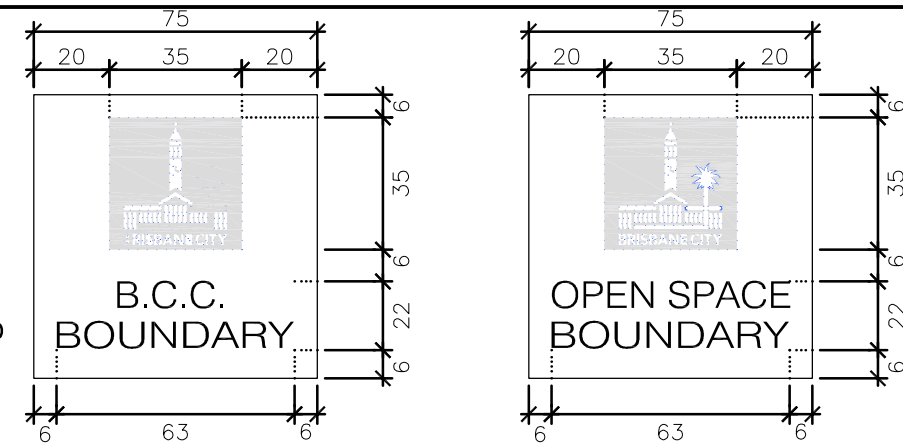
SCALE 1:10



BOUNDARY MARKER - CAST CAP DETAIL - ELEVATION VIEW

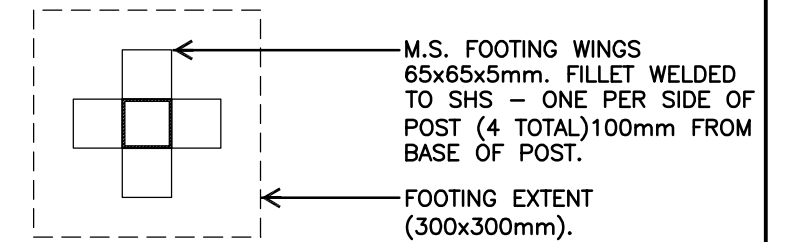
SCALE 1:2

REFER TO BSD-7092 FOR ADDITIONAL BOLLARD SPECIFICATION NOTES



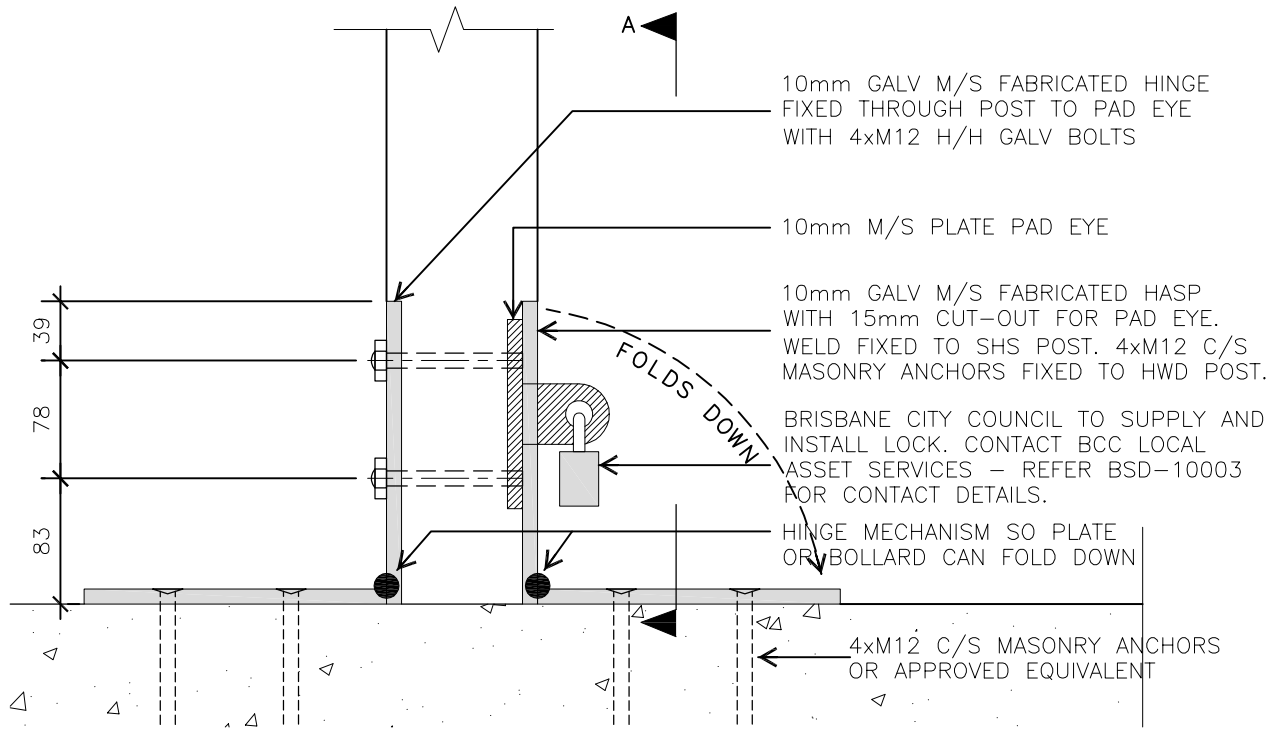
B.C.C. NATURAL AREA & OPEN SPACE BOUNDARY MARKER - CAST CAP DETAILS - PLAN VIEWS

SCALE 1:2



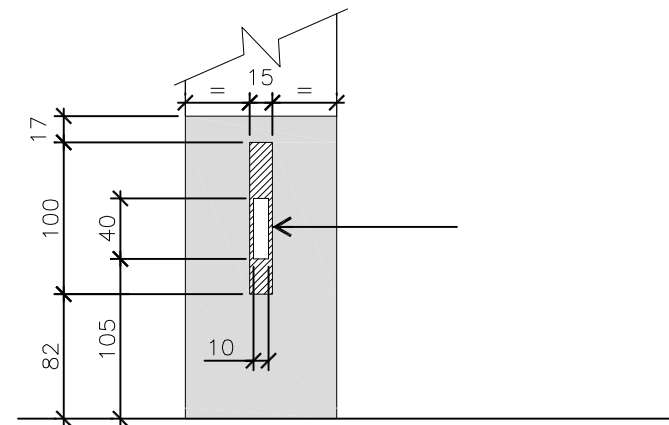
BOUNDARY MARKER - FOOTING - PLAN VIEW

SCALE 1:10



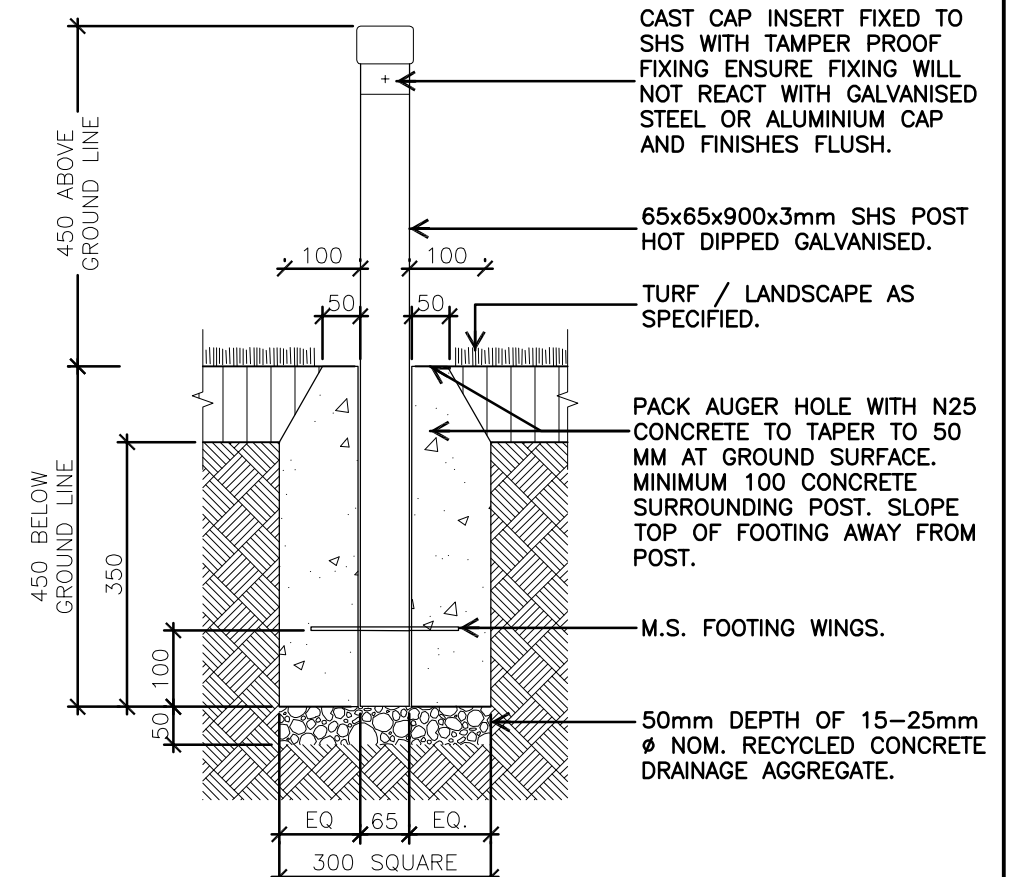
REMOVABLE BOLLARD - HINGE DETAIL

SCALE 1:5



REMOVABLE BOLLARD - SECTION A-A PAD EYE DETAIL

SCALE 1:5



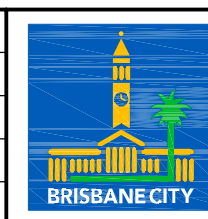
BOUNDARY MARKER - SECTION

SCALE 1:10

A	Drawing Converted from UMS Series April 2014	APR '14	APR '14	APR '14
ISSUE	AMENDMENT	DRAWN DATE	CHK'D DATE	APPR'D DATE

DRAWING AUTHORISED FOR PUBLICATION
PAUL COTTON SIGNATURE ON ORIGINAL DATED 03/09/04
MANAGER INFRASTRUCTURE MANAGEMENT
R.P.E.Q. 2546
DESIGN APPROVED
LAUREN TEMPLEMAN SIGNATURE ON ORIGINAL DATED 31/08/04
CLIENT POSITION
PRICIPAL PROGRAM OFFICER PARKS

DESIGN	Std Dwgs WG	DATE	OCT '13
DRAWN	CPO - P&D	DATE	OCT '13
CHECKED		DATE	OCT '13
DRAWING FILENAME	BSD-7094.dwg		
ASSOCIATED PLANS	SUPERSEDES UMS-724		



BRISBANE CITY COUNCIL STANDARD DRAWING	
SCALE AS SHOWN	
DWG No. BSD-7099	
ORIGINAL SIZE	REVISION
A3	A