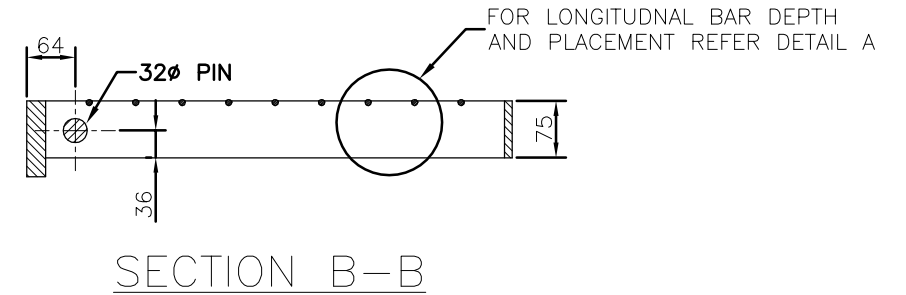
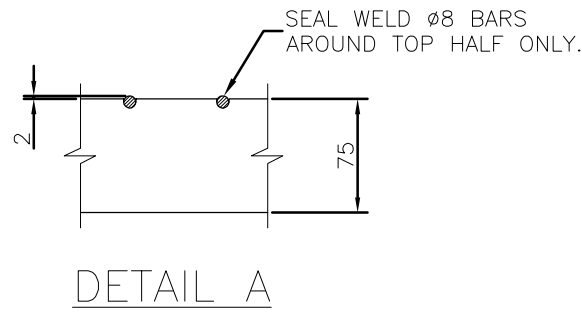


LOCKING DEVICE
DETAIL (GRATE)



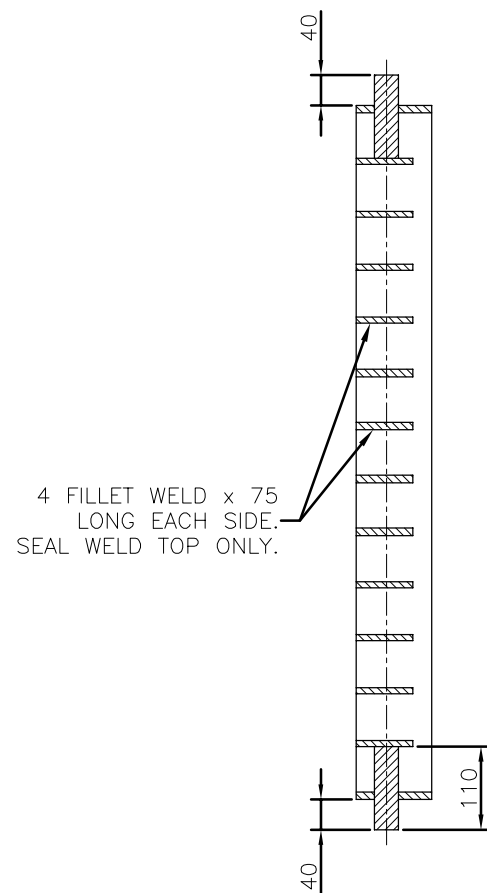
SECTION B-B

NOTES:

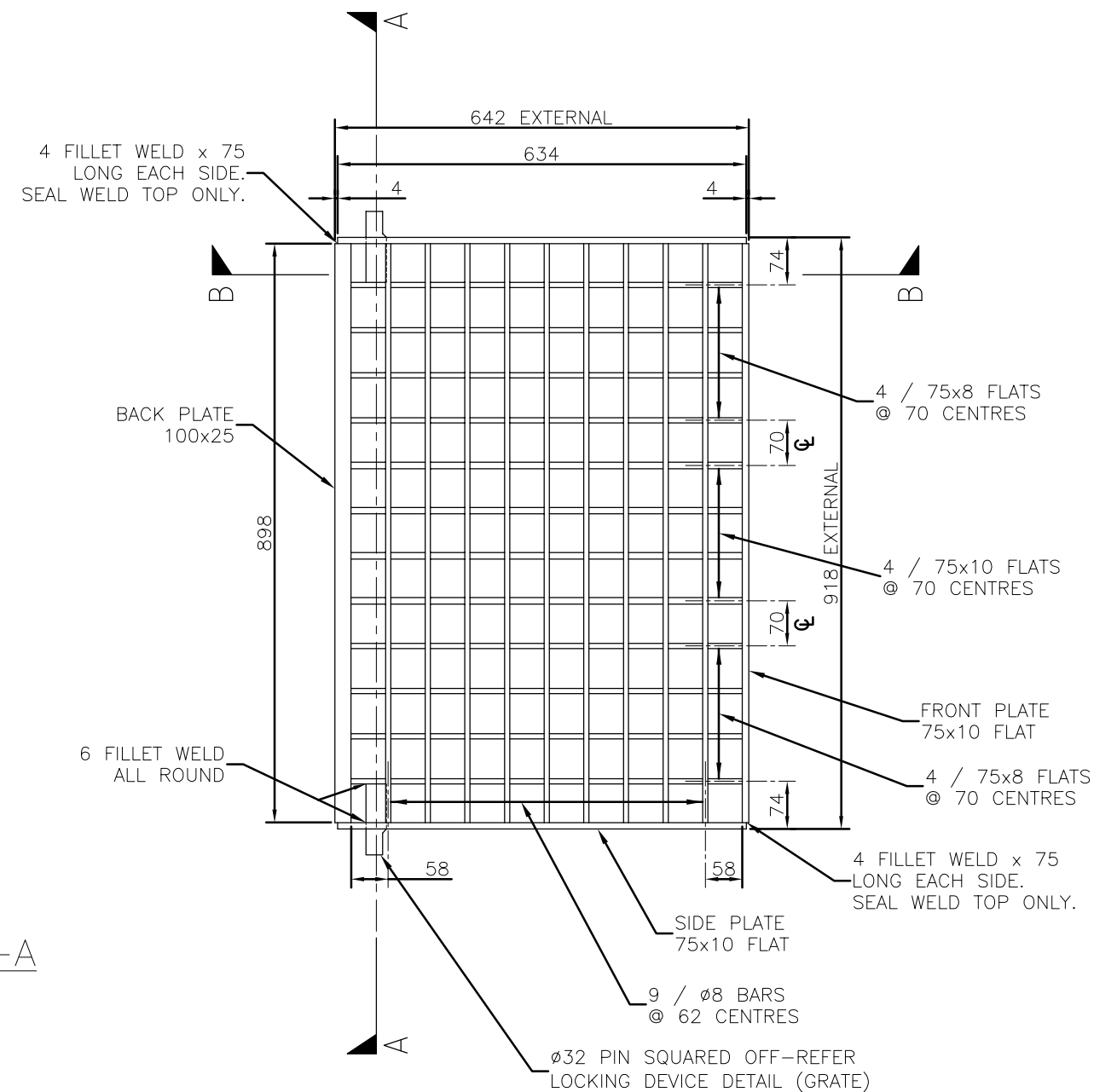
1. MASS OF GRATE: 72.5kg
2. GRATE STEEL TO BE GRADE 300 STRUCTURAL STEEL TO AS/NZS3679.1.
3. GRATE TO BE HOT DIP GALVANISED TO AS4680.
4. ALL WELDS TO BE 4 CFW UNLESS NOTED OTHERWISE.
5. GRATE TO HAVE PERMANENT VISIBLE MARKING INDICATING STANDARD (AS3996), MANUFACTURER, GRATE CLASS, DATE OF MANUFACTURE AND/OR BATCH No. AND MASS AS PER AS3996.
6. TOLERANCES SPECIFIED FOR THE LOCKING DEVICE BOTH IN THE FRAME AND HINGE PIN ARE REQUIRED FOR EFFECTIVENESS AND RELIABILITY.
7. OTHER TOLERANCES TO ± 2.
8. GRATES TO COMPLY WITH AS3996, CLASS 'D' AND BE CLASSIFIED 'BIKE SAFE' IN ALL DIRECTIONS (SATISFY BICYCLE TYRE PENETRATION TEST IN ALL DIRECTIONS).
9. GRATE TO BE FULLY COMPATIBLE AND INTERCHANGABLE WITH BCC STANDARD TYPE 'A' GULLY FRAME – REFER BSD-8054 FOR DETAILS.
10. ALL DIMENSIONS IN MILLIMETRES (U.N.O.).

SPECIAL NOTE:

BRISBANE CITY COUNCIL PROPRIETARY DESIGN
REFER ALSO TO REFERENCE SPECIFICATION FOR CIVIL ENGINEERING WORKS S160-DRAINAGE.



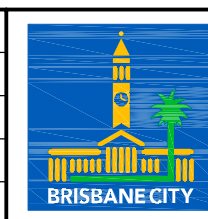
SECTION A-A



PLAN

ISSUE	AMENDMENT	DRAWN DATE	CHK'D DATE	APPR'D DATE
A	ORIGINAL ISSUE	OCT '13	OCT '13	OCT '13

DRAWING AUTHORISED FOR PUBLICATION B.BALL SIGNATURE ON ORIGINAL DATED 29/06/01				DESIGN	STD DWG GROUP	DATE	APR '01
MANAGER ASSET SUPPORT - R.P.E.O: 3852				DRAWN	CITY DESIGN	DATE	APR '01
DESIGN APPROVED B.HANSEN SIGNATURE ON ORIGINAL DATED 27/06/01				CHECKED	M.STEER	DATE	MAY '01
PRINCIPAL ASSET OFFICER ROADS AND DRAINAGE				DRAWING FILENAME	BSD-8053.dwg		
				ASSOCIATED PLANS	SUPERSEDES UMS-332		



BRISBANE CITY COUNCIL STANDARD DRAWING

TYPE 'A' GULLY GRATE
(HUNGED, CLASS 'D', BIKE SAFE IN ALL DIRECTION)

SCALE: NOT TO SCALE
DWG No. **BSD-8053**
ORIGINAL SIZE: A3 REVISION: A