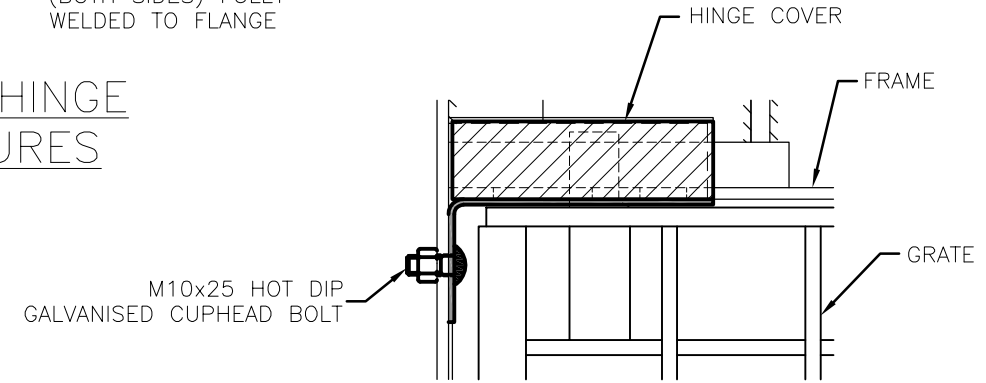


DETAIL OF HINGE PIN CLOSURES



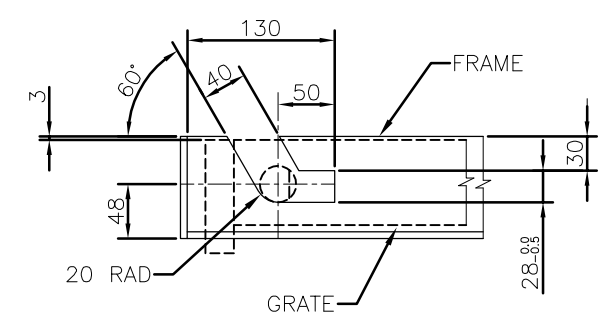
DETAIL OF HINGE COVER AND BOLT

NOTES:

1. MASS OF FRAME: 30kg
2. FRAME STEEL TO BE GRADE 300 STRUCTURAL STEEL TO AS/NZS3679.1.
3. FRAME TO BE HOT DIP GALVANISED TO AS4680.
4. ALL WELDS TO BE 4 CFW UNLESS NOTED OTHERWISE.
5. TOLERANCES SPECIFIED FOR THE LOCKING DEVICE BOTH IN THE FRAME AND HINGE PIN ARE REQUIRED FOR EFFECTIVENESS AND RELIABILITY.
6. OTHER TOLERANCES TO ± 2 mm.
7. REFER BSD-8053 FOR BCC STANDARD TYPE 'A' GULLY GRATE DETAILS.
8. ALL DIMENSIONS IN MILLIMETRES (U.N.O.).

SPECIAL NOTE:

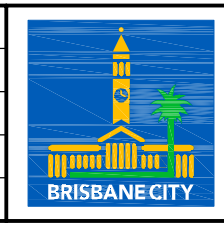
BRISBANE CITY COUNCIL PROPRIETARY DESIGN
 REFER ALSO TO REFERENCE SPECIFICATION FOR CIVIL ENGINEERING WORKS S160-DRAINAGE.



LOCKING DEVICE DETAIL (FRAME)

ISSUE	AMENDMENT	DRAWN DATE	CHK'D DATE	APPR'D DATE
A	ORIGINAL ISSUE	OCT '13	OCT '13	OCT '13

DRAWING AUTHORIZED FOR PUBLICATION B.BALL SIGNATURE ON ORIGINAL DATED 29/06/01 MANAGER ASSET SUPPORT - R.P.E.O. 3852	DESIGN	STD DWG GROUP	DATE	APR '01
DESIGN APPROVED B.HANSEN SIGNATURE ON ORIGINAL DATED 27/06/01 PRINCIPAL ASSET OFFICER ROADS AND DRAINAGE	DRAWN	CITY DESIGN	DATE	APR '01
	CHECKED	M.STEER	DATE	MAY '01
	DRAWING FILENAME	BSD-8054.dwg		
	ASSOCIATED PLANS	SUPERSEDES UMS-333		



BRISBANE CITY COUNCIL STANDARD DRAWING

TYPE 'A' GULLY FRAME

SCALE: NOT TO SCALE
 DWG No. **BSD-8054**
 ORIGINAL SIZE: A3 REVISION: A