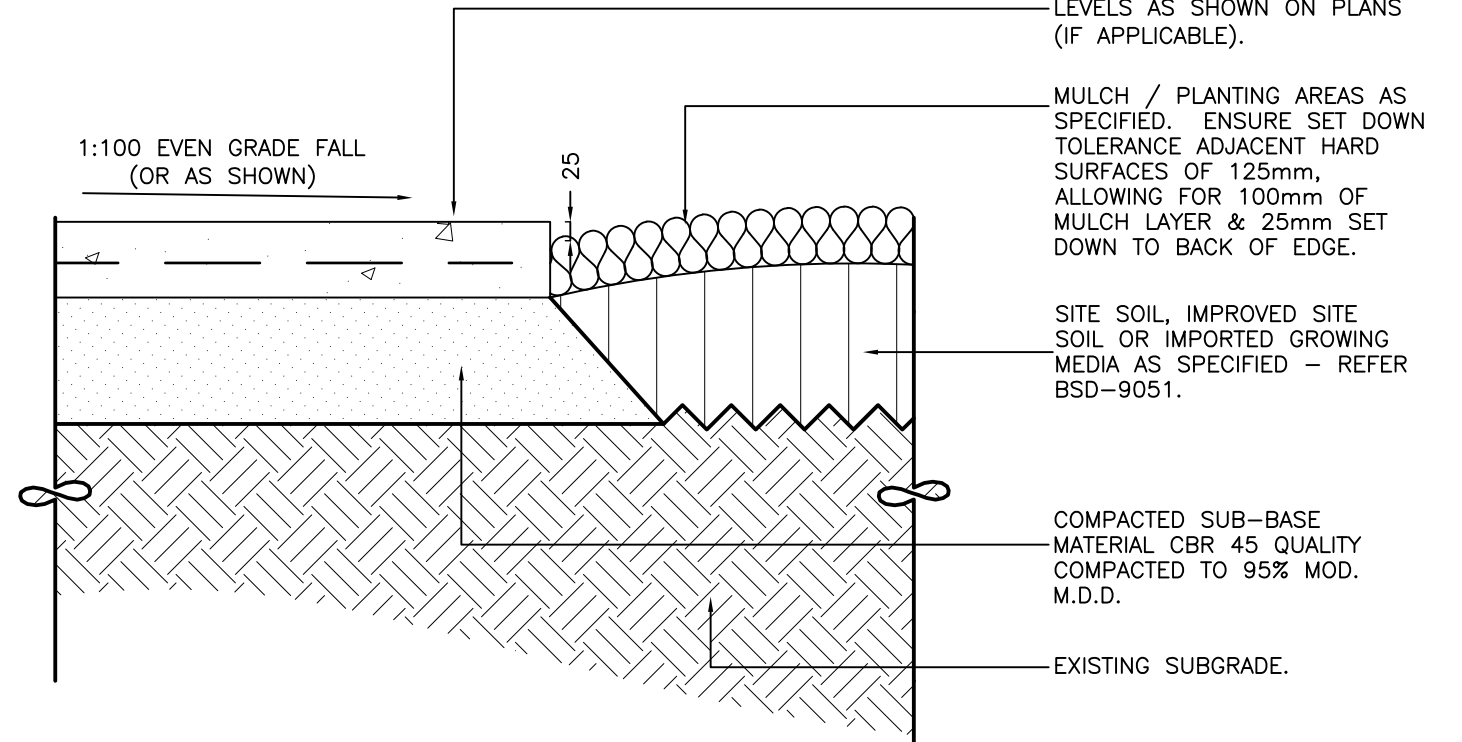
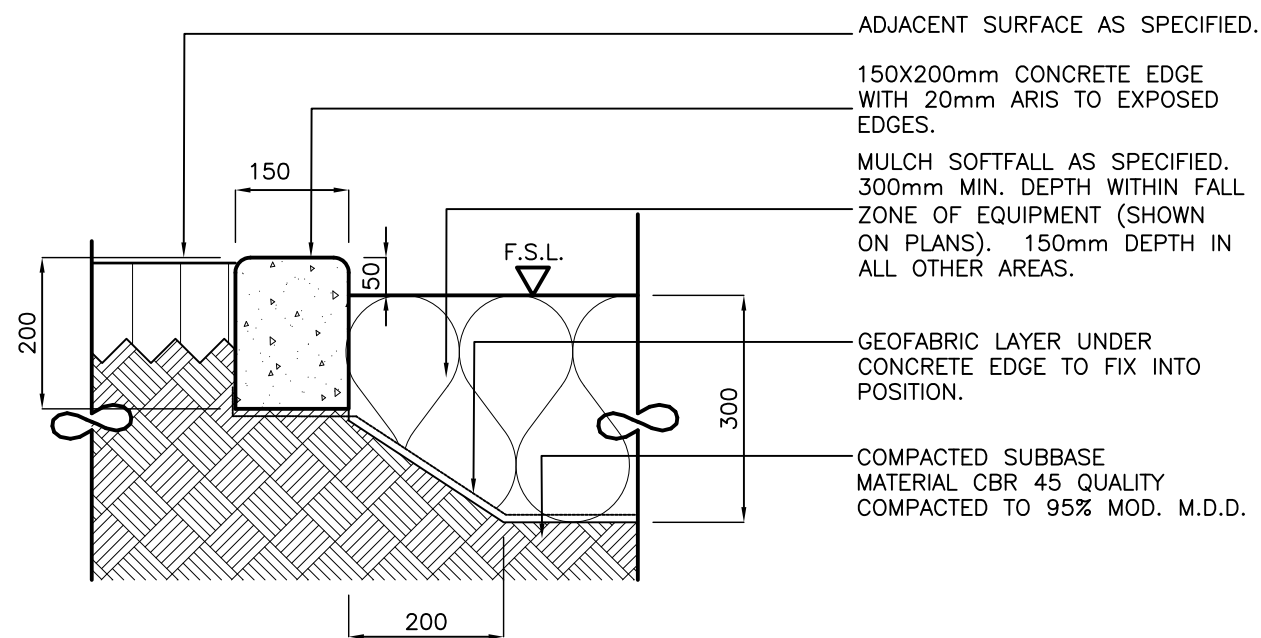


TURF TO HARD PAVEMENT – SECTION




GARDEN TO HARD PAVEMENT – SECTION



PLAYGROUND MULCH SOFTFALL TO ADJACENT SURFACE TREATMENT – SECTION

REFER TO BSD-9061 (SHEET 1) FOR ASSOCIATED SPECIFICATION

				DRAWING AUTHORISED FOR PUBLICATION PAUL COTTON SIGNATURE ON ORIGINAL DATED 03/09/04 MANAGER INFRASTRUCTURE MANAGEMENT R.P.E.Q: 2546				DESIGN	Std Dwgs WG	DATE	OCT '13		<b>BRISBANE CITY COUNCIL STANDARD DRAWING</b>	
				DESIGN APPROVED LAUREN TEMPLEMAN SIGNATURE ON ORIGINAL DATED 31/08/04				DRAWN	CPO - P&D	DATE	OCT '13			
				PRICIPAL PROGRAM OFFICER PARKS				CHECKED	UMD - E&P & IMB	DATE	OCT '13		<b>EDGING – TYPICAL INTERFACES</b>	
ISSUE	AMENDMENT	DRAWN DATE	CHK'D DATE	APPR'D DATE				DRAWING FILENAME	BSD-9061_2of3.dwg		<b>BSD-9062</b>			
A	Drawing Converted From UMS Series April 2014	APR '14	APR '14	APR '14				ASSOCIATED PLANS	SUPERSEDES UMS-794		ORIGINAL SIZE	A3	REVISION	A