

CONNECTION CONFIGURATION

EB

36	DETECTOR 32
35	DETECTOR 31
34	DETECTOR 30
33	DETECTOR 29
32	DETECTOR 28
31	DETECTOR 27
30	DETECTOR 26
29	DETECTOR 25
28	DETECTOR 24
27	DETECTOR 23
26	DETECTOR 22
25	DETECTOR 21
24	DETECTOR 20
23	DETECTOR 19
22	DETECTOR 18
21	DETECTOR 17

EA

20	DETECTOR 16
19	DETECTOR 15
18	DETECTOR 14
17	DETECTOR 13
16	DETECTOR 12
15	DETECTOR 11
14	DETECTOR 10
13	DETECTOR 9
12	DETECTOR 8
11	DETECTOR 7
10	DETECTOR 6
9	DETECTOR 5
8	DETECTOR 4
7	DETECTOR 3
6	DETECTOR 2
5	DETECTOR 1
4	WAIT LAMP RETURN
3	32 V DETECTOR RETURN
2	240 V FOR LOOP DETECTORS NEUTRAL FOR LOOP DETECTORS
1	

D

16	SPARE	
15	WAIT 4	
14	RED	} SIGNAL GROUP 16
13	YELLOW	
12	GREEN	} SIGNAL GROUP 15
11	RED	
10	YELLOW	} SIGNAL GROUP 14
9	GREEN	
8	RED	} SIGNAL GROUP 13
7	YELLOW	
6	GREEN	} SIGNAL GROUP 1
5	RED	
4	YELLOW	} SIGNAL GROUP 1
3	GREEN	
2	LAMP ACTIVE (UNDIMMED)	
1	LAMP NEUTRAL	

C

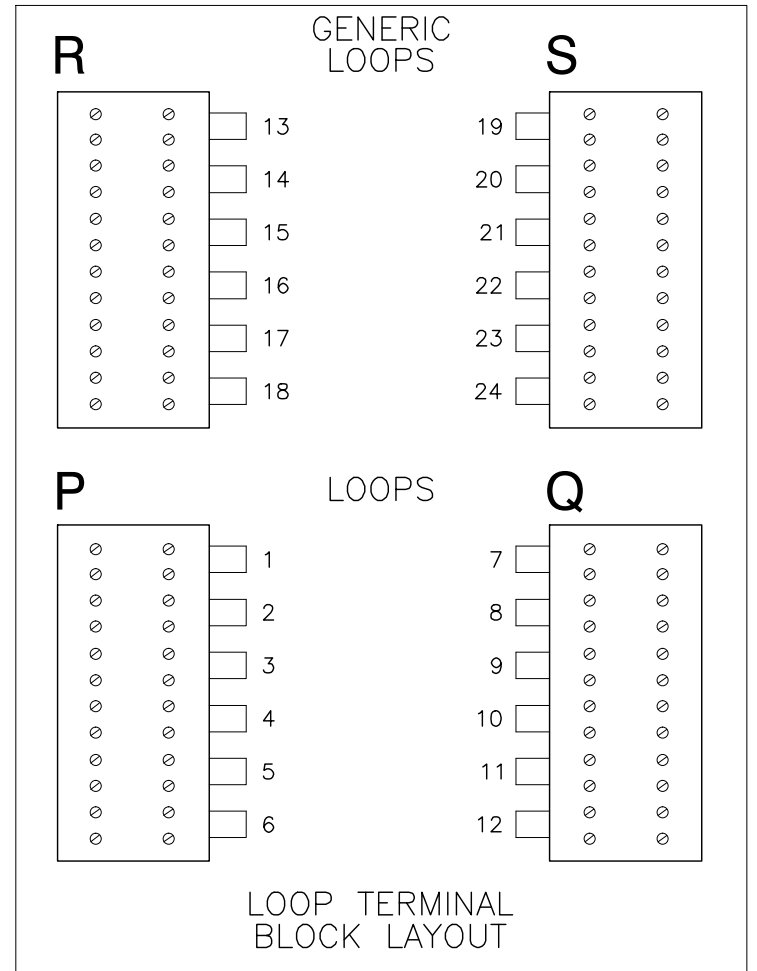
16	SPARE	
15	WAIT 4	
14	RED	} SIGNAL GROUP 12
13	YELLOW	
12	GREEN	} SIGNAL GROUP 11
11	RED	
10	YELLOW	} SIGNAL GROUP 10
9	GREEN	
8	RED	} SIGNAL GROUP 9
7	YELLOW	
6	GREEN	} SIGNAL GROUP 9
5	RED	
4	YELLOW	} SIGNAL GROUP 9
3	GREEN	
2	LAMP ACTIVE (UNDIMMED)	
1	LAMP NEUTRAL	


B

16	SPARE	
15	WAIT 4	
14	RED	} SIGNAL GROUP 8
13	YELLOW	
12	GREEN	} SIGNAL GROUP 7
11	RED	
10	YELLOW	} SIGNAL GROUP 6
9	GREEN	
8	RED	} SIGNAL GROUP 5
7	YELLOW	
6	GREEN	} SIGNAL GROUP 5
5	RED	
4	YELLOW	} SIGNAL GROUP 5
3	GREEN	
2	LAMP ACTIVE (UNDIMMED)	
1	LAMP NEUTRAL	

A

16	SPARE	
15	WAIT 4	
14	RED	} SIGNAL GROUP 4
13	YELLOW	
12	GREEN	} SIGNAL GROUP 3
11	RED	
10	YELLOW	} SIGNAL GROUP 2
9	GREEN	
8	RED	} SIGNAL GROUP 1
7	YELLOW	
6	GREEN	} SIGNAL GROUP 1
5	RED	
4	YELLOW	} SIGNAL GROUP 1
3	GREEN	
2	LAMP ACTIVE (UNDIMMED)	
1	LAMP NEUTRAL	



				DRAWING AUTHORISED FOR PUBLICATION SIGNATURE ON ORIGINAL B. BALL DATED 29/6/01				DESIGN	Std DwgS WG	DATE	April '01		BRISBANE CITY COUNCIL STANDARD DRAWING	
				MANAGER ASSET SUPPORT - R.P.E.Q: 3852 STRATEGIC ASSET MANAGEMENT				DRAWN	CPO - P&D	DATE	April '01		SCALE NOT TO SCALE	
				DESIGN APPROVED SIGNATURE ON ORIGINAL B. HANSEN DATED 27/6/01				CHECKED	M.STEER	DATE	May '01		DWG No. BSD-4208	
				PRINCIPAL ASSET OFFICER ROADS & DRAINAGE				DRAWING FILENAME	BSD-4208.dwg				ORIGINAL SIZE	REVISION
A	Drawing Converted from UMS Series April 2014			APR '14	APR '14	APR '14				CONTROLLER TERMINAL LAYOUT			A3	A
ISSUE	AMENDMENT			DRAWN DATE	CHK'D DATE	APPR'D DATE								