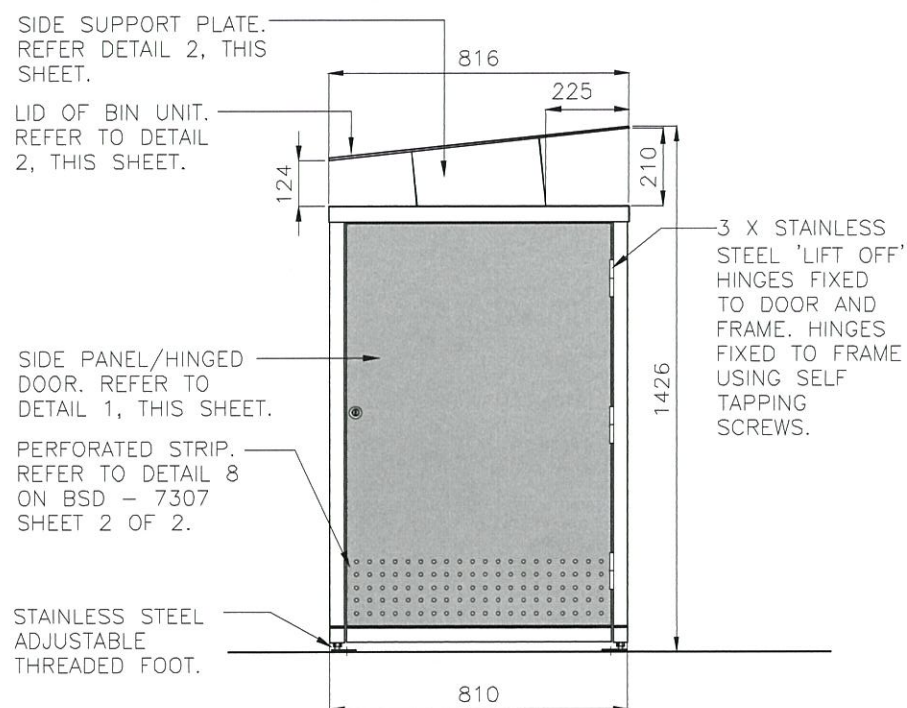
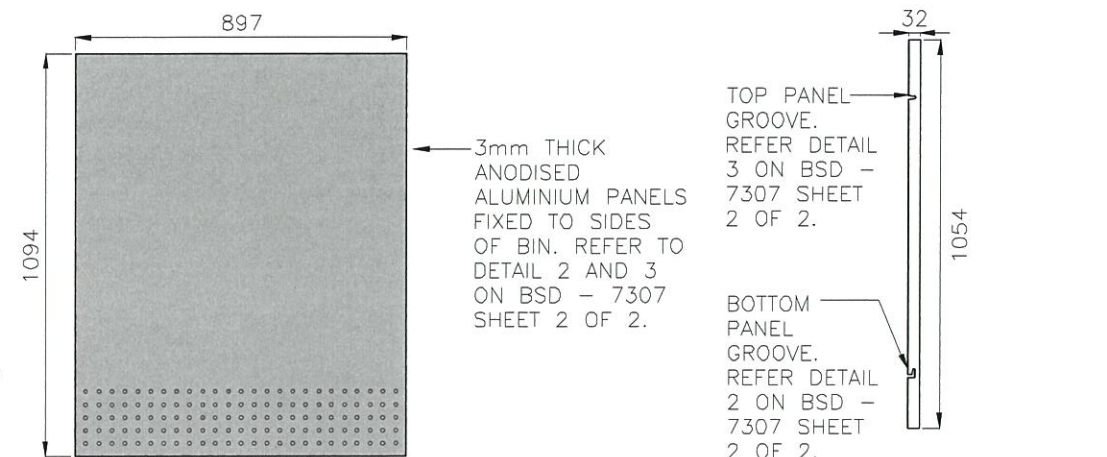


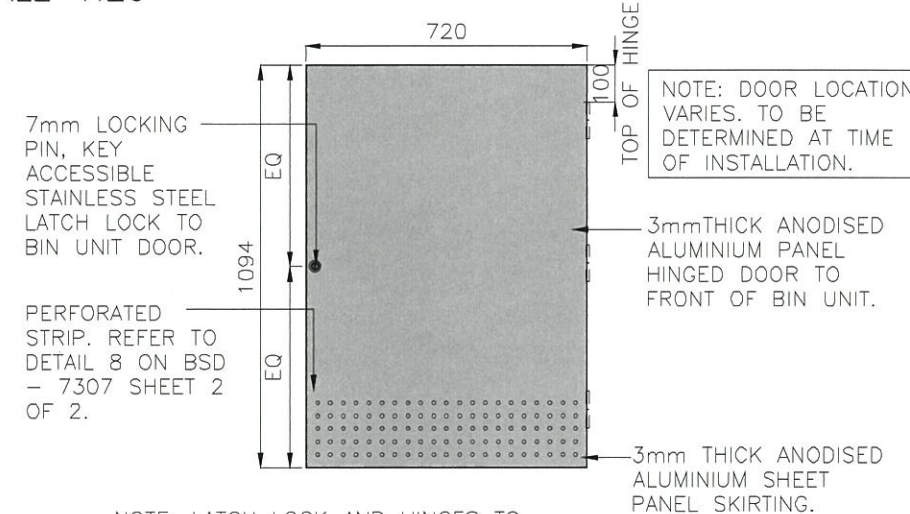
**FRONT ELEVATION**  
SCALE 1:20



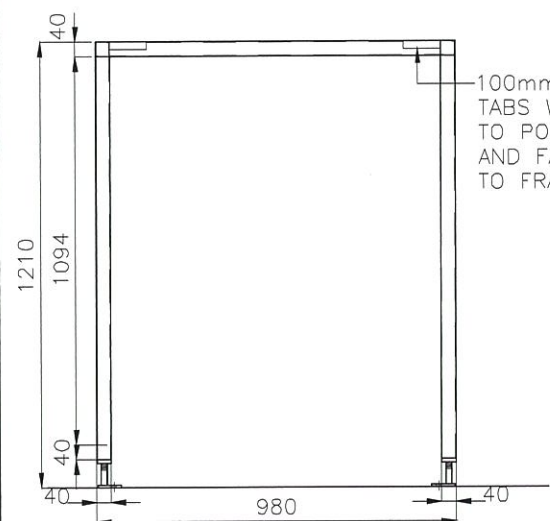
**SIDE ELEVATION**  
SCALE 1:20



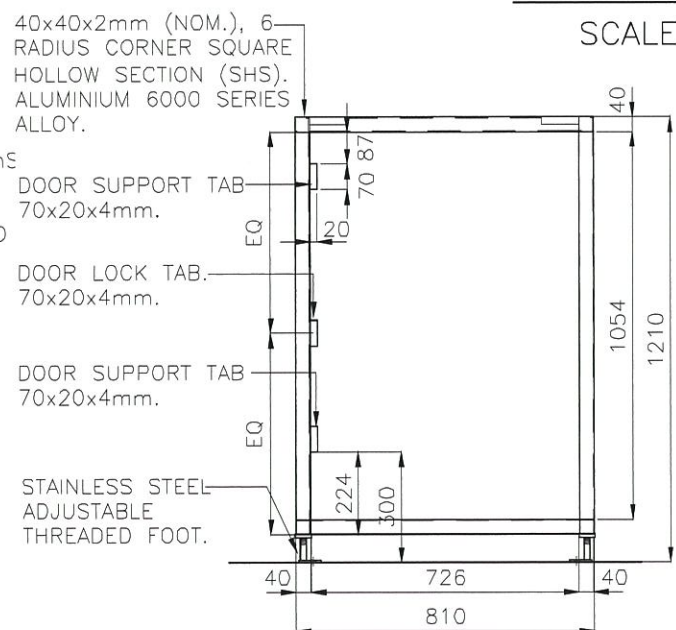
**FRONT AND BACK PANEL** SCALE 1:20  
**PANEL - END VIEW** SCALE 1:20



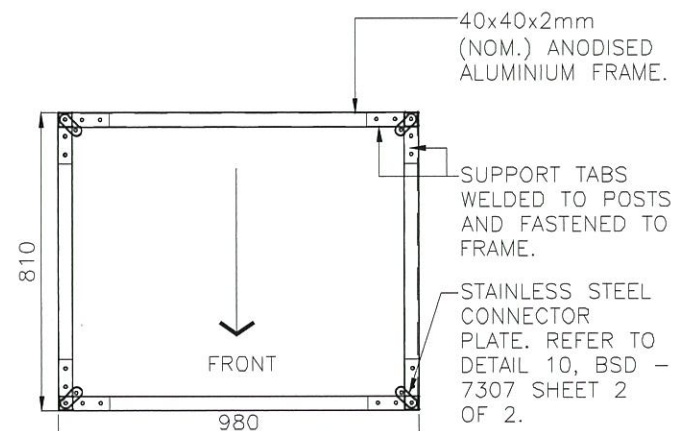
**DETAIL 1 - BIN UNIT DOOR**  
SCALE 1:20



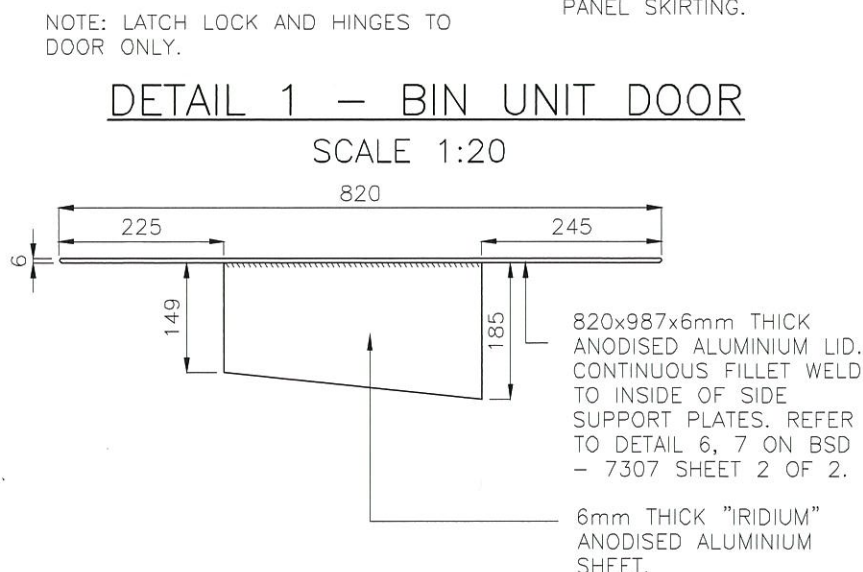
**FRAME - FRONT DETAIL**  
SCALE 1:20



**FRAME - SIDE DETAIL**  
SCALE 1:20



**FRAME PLAN**  
SCALE 1:20



**DETAIL 2 - LID AND SUPPORT PLATE**  
SCALE 1:10

**DISCLAIMER:**  
MANUFACTURED UNDER AUSTRALIAN PATENT NO. 2011100749 WITH PERMISSION OF THE INVENTOR.

**NOTES**  
REFER TO BSD - 7307 SHEET 2 OF 2 FOR FINISHES & COLOUR SCHEDULE AND DETAILS.

ISSUE	AMENDMENT	DRAWN DATE	CHK'D DATE	APPR'D DATE
A	Drawing Converted From UMS Series May 2014	MAY '14	MAY '14	MAY '14

DRAWING AUTHORISED FOR PUBLICATION			
DESIGN	Std Dwgs WG	DATE	MAY '14
DRAWN	CP0 - P&D	DATE	MAY '14
CHECKED	BI - FSG - WS	DATE	MAY '14
DRAWING FILENAME	BSD-7307_1of2.dwg		
ASSOCIATED PLANS			



**BRISBANE CITY COUNCIL STANDARD DRAWING**

ANODISED 340L BIN UNIT SHEET 1 OF 2		SCALE	AS SHOWN
		DWG NO	<b>BSD-7307</b>
ORIGINAL SIZE	A3	REVISION	A