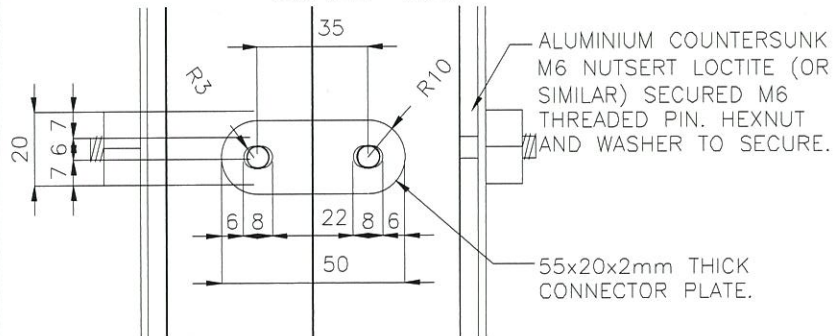


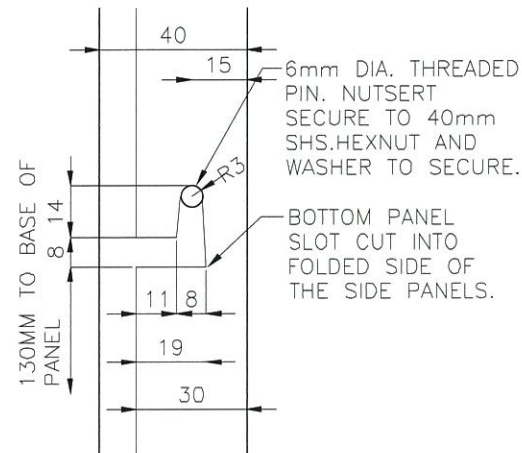
**DETAIL 1 - LEG TO PANEL CONNECTION**  
SCALE 1:20



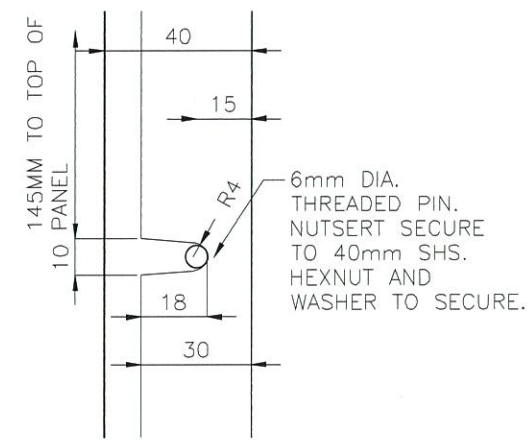
**DETAIL 5 - CONNECTOR PLATE**  
SCALE 1:2

FINISHES & COLOUR SCHEDULE	
ELEMENT	COLOUR/FINISH
FRONT AND SIDE PANELS	APPLIED TREATMENT 'DULUX' METROPOLIS 'STORM PEARL' OR APPROVED EQUIVALENT
LID, FRAME, APRON	APPLIED CHEMICAL TREATMENT 'IRIDIUM' OR APPROVED EQUIVALENT
ALL OTHER COMPONENTS	ALUMINIUM UNLESS OTHERWISE NOTED

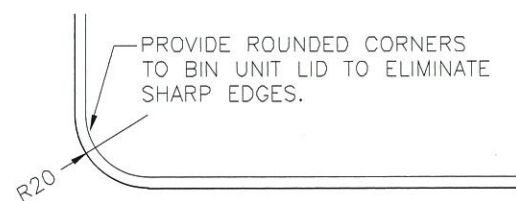
DISCLAIMER:  
MANUFACTURED UNDER AUSTRALIAN PATENT NO. 2011100749 WITH PERMISSION OF THE INVENTOR.



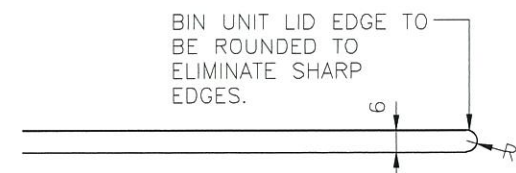
**DETAIL 2 - BOTTOM PANEL GROOVE**  
SCALE 1:2



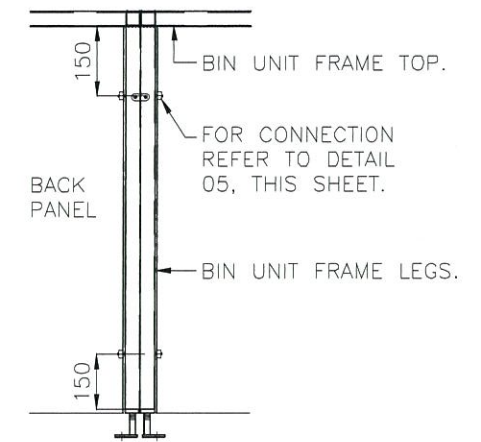
**DETAIL 3 - TOP PANEL GROOVE**  
SCALE 1:2



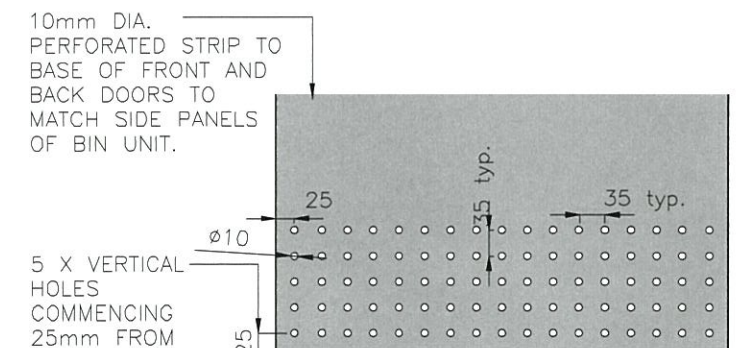
**DETAIL 6 - BIN UNIT LID ROUNDED CORNER**  
SCALE 1:2



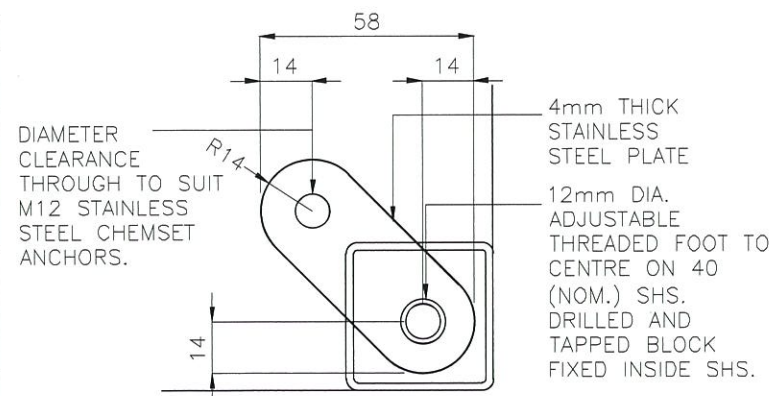
**DETAIL 7 - BIN UNIT LID ROUNDED EDGE**  
SCALE 1:2



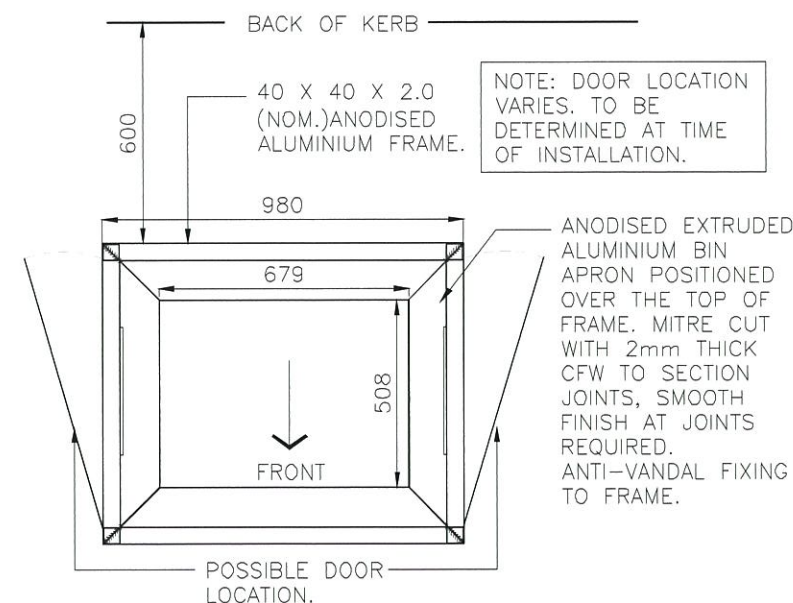
**DETAIL 4 - BIN UNIT TO BIN UNIT**  
SCALE 1:20



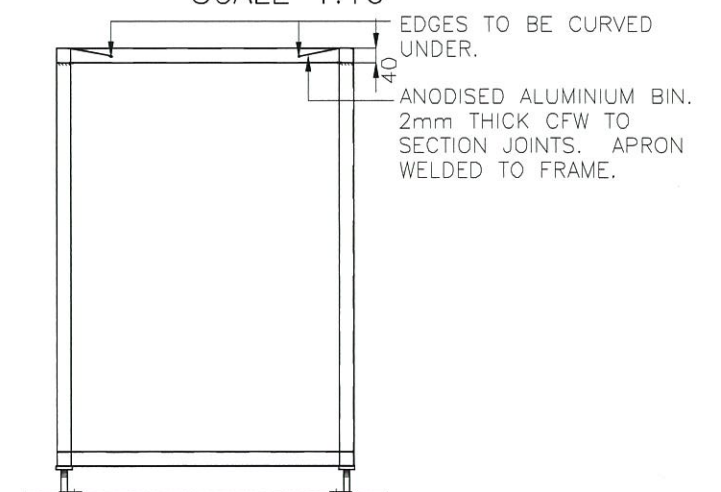
**DETAIL 8 - PERFORATED STRIP**  
SCALE 1:10



**DETAIL 9 - PLAN DETAIL**  
SCALE 1:2



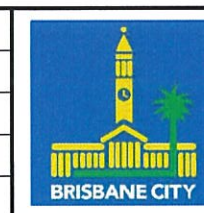
**DETAIL 10 - BIN APRON (TOP)**  
SCALE 1:20



**DETAIL 11 - BIN APRON (SIDE)**  
SCALE 1:20

ISSUE	AMENDMENT	DRAWN DATE	CHK'D DATE	APPR'D DATE
A	Drawing Converted From UMS Series May 2014	MAY '14	MAY '14	MAY '14

DRAWING AUTHORISED FOR PUBLICATION			
DESIGN	Std Dwgs WG	DATE	MAY '14
DRAWN	CPO - P&D	DATE	MAY '14
CHECKED	BI - FSG - WS	DATE	MAY '14
DRAWING FILENAME	BSD-7307_2of2.dwg		
ASSOCIATED PLANS			



BRISBANE CITY COUNCIL STANDARD DRAWING	
SCALE	AS SHOWN
DWG No	<b>BSD-7307</b>
ORIGINAL SIZE	A3
REVISION	A

**ANODISED 340L BIN UNIT**  
**SHEET 2 OF 2 - DETAILS**