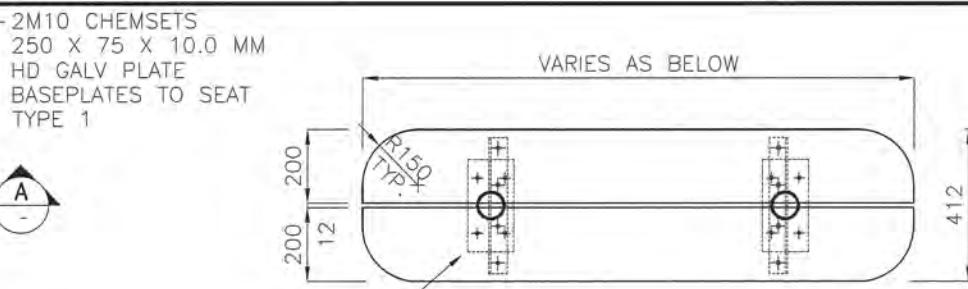
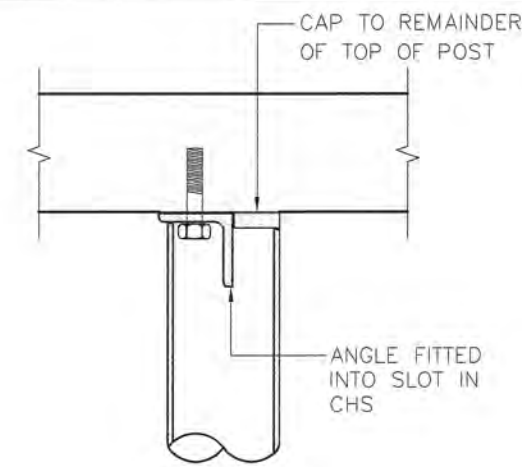


INDICATIVE PLAN
BENCH SEAT TYPE 1 DETAIL
SCALE 1:20



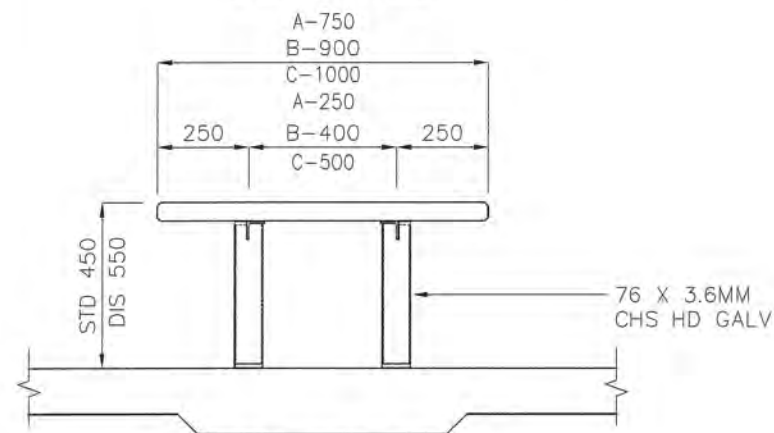
INDICATIVE PLAN
BENCH SEAT TYPE 2 DETAIL
SCALE 1:20



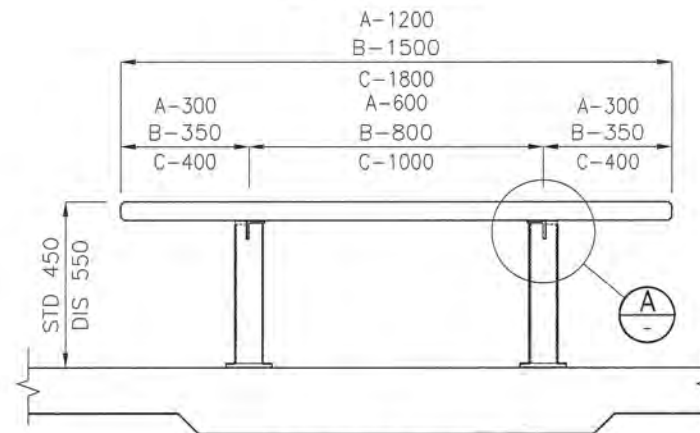
DETAIL A
SCALE: 1:5

NOTES

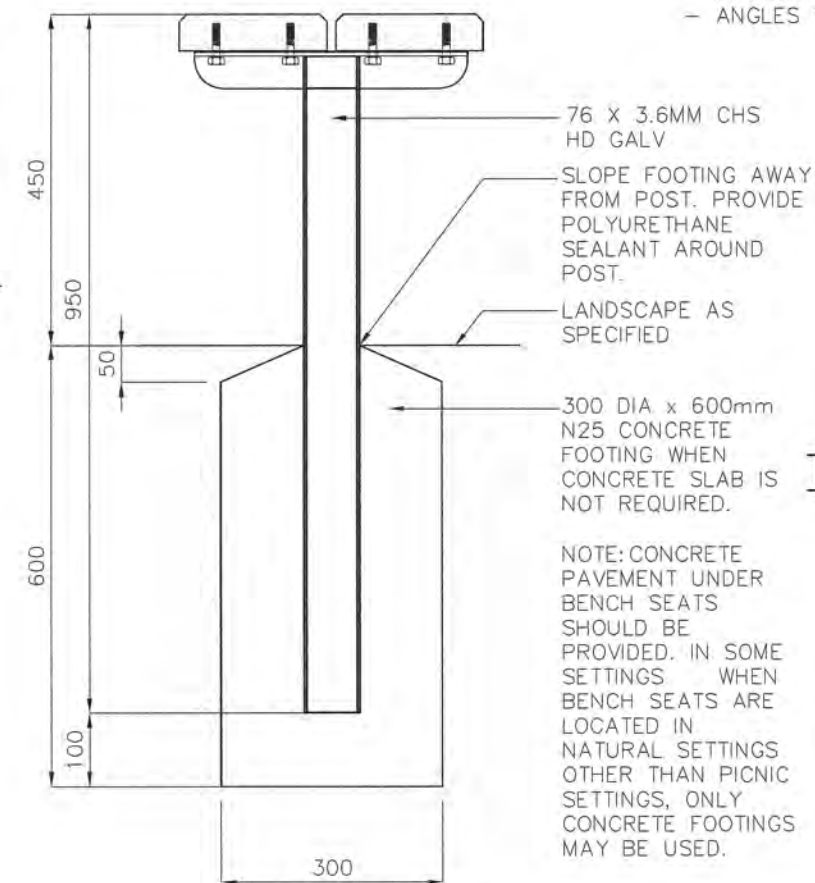
- SITE SETOUT TO BE VERIFIED BY SUPERINTENDENT OR LANDSCAPE ARCHITECT PRIOR TO THE COMMENCEMENT OF CONSTRUCTION WORKS.
- VERIFY LOCATION OF ALL SERVICES AND EASEMENTS PRIOR TO THE COMMENCEMENT OF WORKS.
- ALL FOOTINGS ARE TO BE FOUNDED IN THE NATURAL UNDISTURBED SOIL PROFILE WITH A MINIMUM ALLOWABLE SOIL BEARING CAPACITY OF 100kPa UNLESS NOTED OTHERWISE. IF SITE CONDITION IS DIFFERENT, CONSULT A STRUCTURAL ENGINEER
- ALL DIMENSIONS ARE IN MILLIMETRES UNLESS SHOWN OTHERWISE U.N.O
- DIMENSIONS SHALL NOT BE OBTAINED BY SCALING OFF DRAWINGS
- REFER TO BSD-10124 FOR SETOUT OF BENCH SEATS IN PICNIC SETTINGS.
- ALL METALWORK TO BE HD GALVANISED AFTER FABRICATION UNLESS OTHERWISE NOTED
- ALL WELDS TO BE CONTINUOUS, GROUND OFF SMOOTH AND FLUSH
- ANGLES TO BE 50X50X6 MS ROUNDED AT EDGES



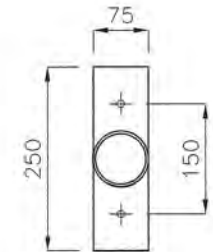
ELEVATION
SCALE 1:20



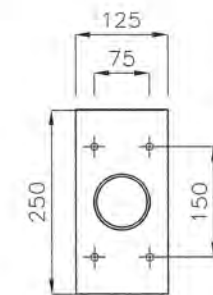
ELEVATION
SCALE 1:20



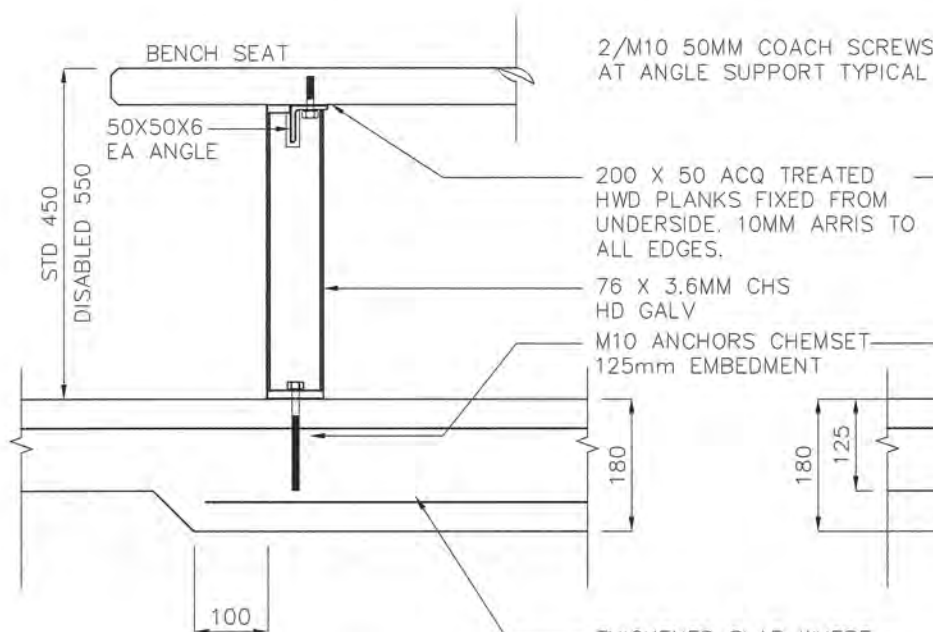
ALTERNATIVE FOOTING DETAIL
SCALE: 1:10



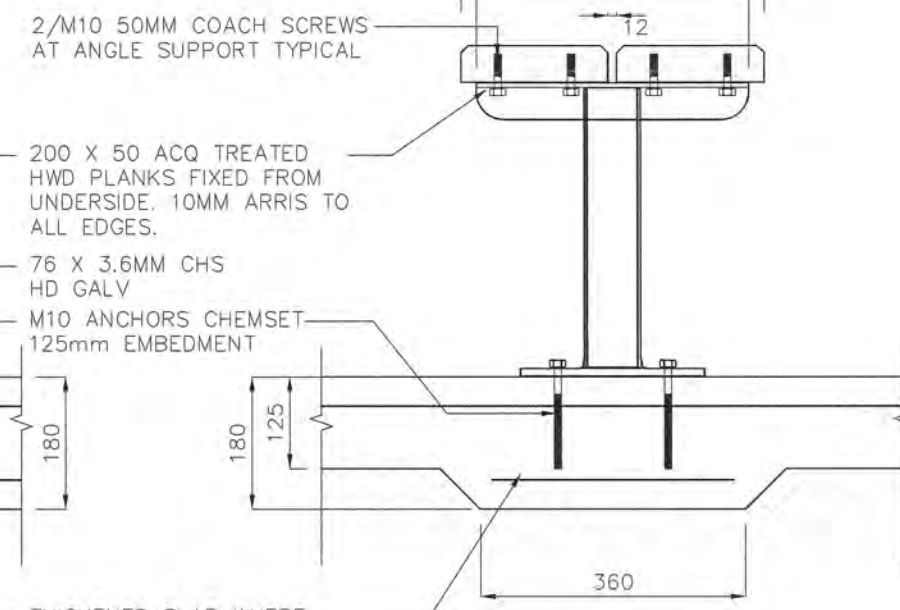
TYPE 1 BASE DETAIL
SCALE: 1:10



TYPE 2 BASE DETAIL
SCALE: 1:10



SECTION A-A
SCALE: 1:10



TYPICAL SECTION
SCALE: 1:10

ISSUE	AMENDMENT	DRAWN DATE	CHK'D DATE	APPR'D DATE
A	ORIGINAL ISSUE	DEC '14	DEC '14	DEC '14

DRAWING AUTHORISED FOR PUBLICATION			
DESIGN	CPO - P&D	DATE	DEC '14
DRAWN	CPO - P&D	DATE	DEC '14
CHECKED	BI - FSG - AS	DATE	DEC '14
DRAWING FILENAME	BSD-10116.dwg		
ASSOCIATED PLANS			



BRISBANE CITY COUNCIL STANDARD DRAWING	
BENCH SEAT - NATURAL AREA	
SCALE	AS SHOWN
DWG No	BSD - 10116
ORIGINAL SIZE	A3
REVISION	A