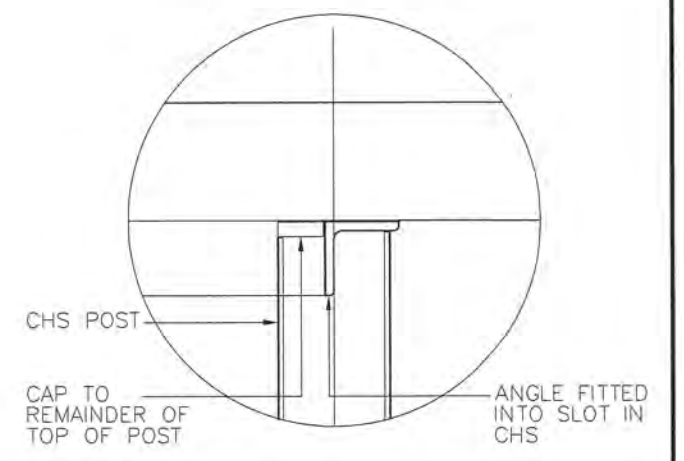
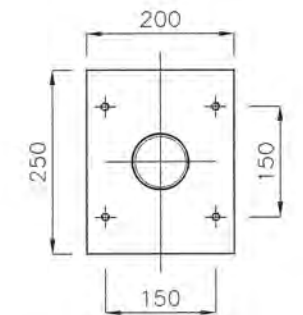
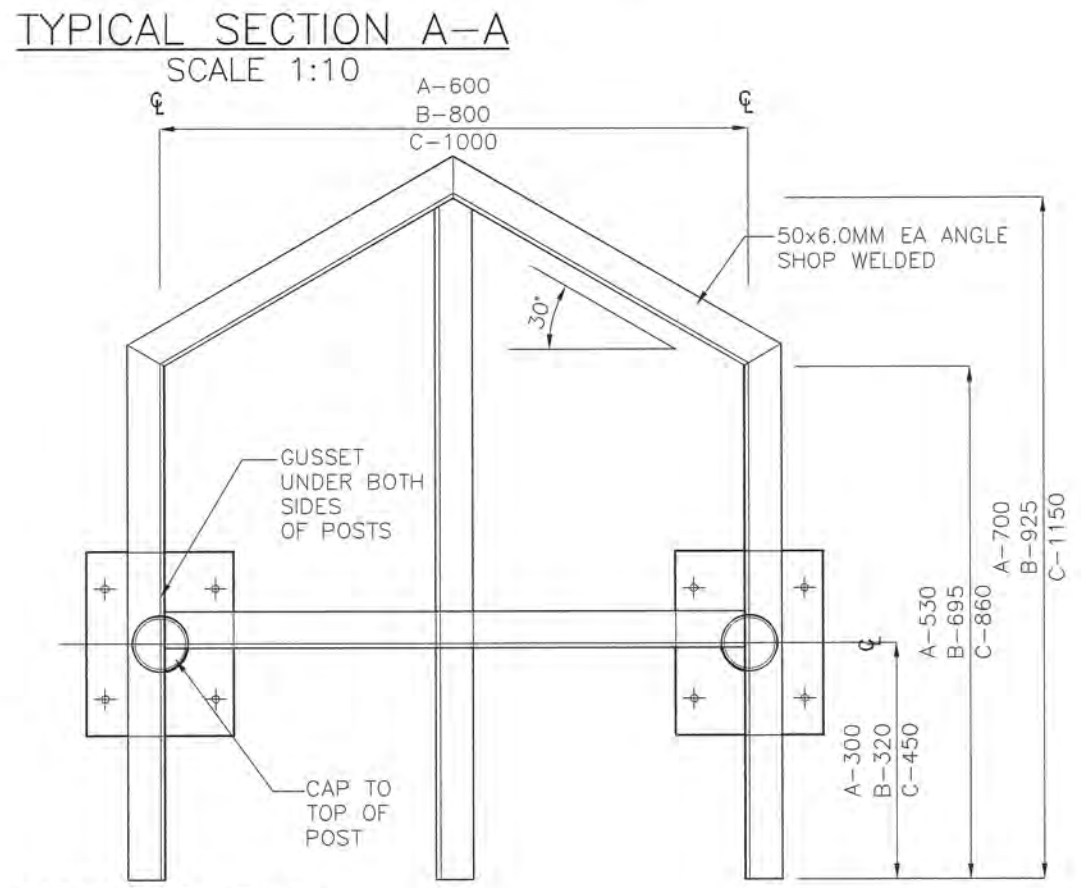
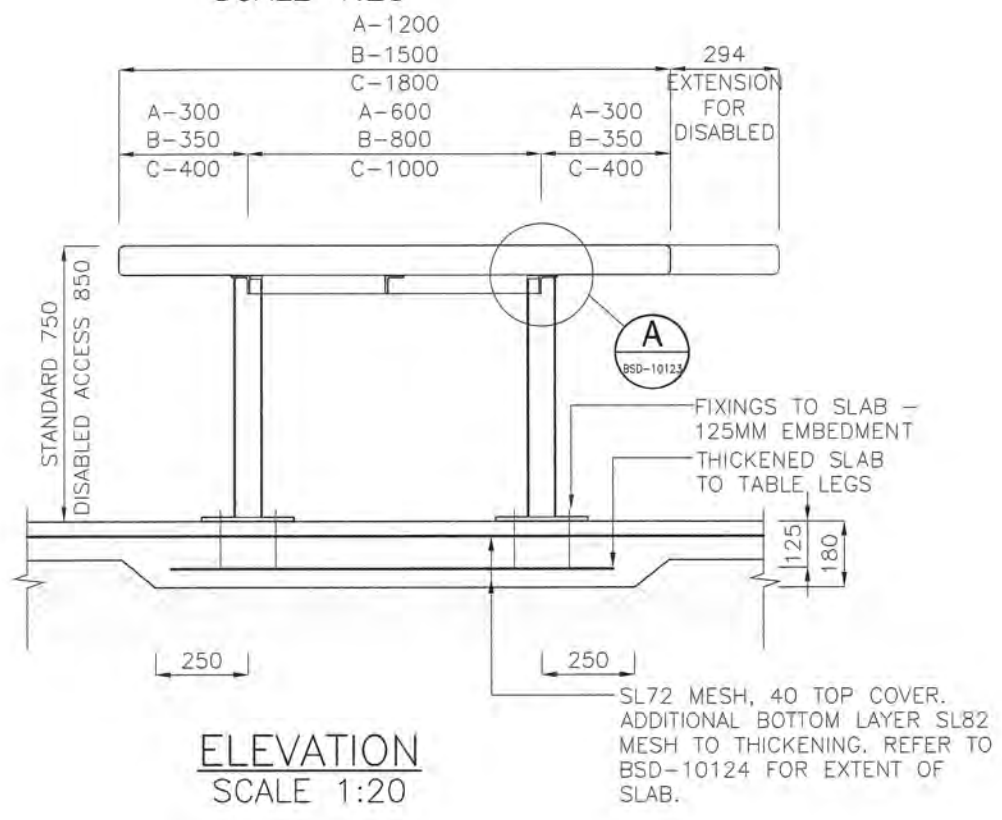




- NOTES**
- SITE SETOUT TO BE VERIFIED BY SUPERINTENDENT OR LANDSCAPE ARCHITECT PRIOR TO THE COMMENCEMENT OF CONSTRUCTION WORKS.
  - VERIFY LOCATION OF ALL SERVICES AND EASEMENTS PRIOR TO THE COMMENCEMENT OF WORKS.
  - ALL FOOTINGS ARE TO BE FOUNDED IN THE NATURAL UNDISTURBED SOIL PROFILE WITH A MINIMUM ALLOWABLE SOIL BEARING CAPACITY OF 100kPa UNLESS NOTED OTHERWISE. IF SITE CONDITION IS DIFFERENT, CONSULT A STRUCTURAL ENGINEER
  - ALL DIMENSIONS ARE IN MILLIMETRES UNLESS SHOWN OTHERWISE U.N.O
  - DIMENSIONS SHALL NOT BE OBTAINED BY SCALING OFF DRAWINGS
  - REFER TO BSD-10124 FOR SETOUT OF PICNIC TABLES IN PICNIC SETTINGS.
  - ALL METALWORK TO BE HD GALVANISED AFTER FABRICATION UNLESS OTHERWISE NOTED
  - ALL WELDS TO BE CONTINUOUS, GROUND OFF SMOOTH AND FLUSH
  - ANGLES TO BE 50X50X6 MS ROUNDED AT EDGES



				DRAWING AUTHORISED FOR PUBLICATION		DESIGN	CPO - P&D	DATE	DEC '14		<b>BRISBANE CITY COUNCIL STANDARD DRAWING</b>		
				FOR ASSET ENGINEERING MANAGER STRATEGIC ASSET MANAGEMENT DESIGN APPROVED		DRAWN	CPO - P&D	DATE	DEC '14		SCALE	AS SHOWN	
				 SENIOR CO-ORDINATOR NATURAL ENVIRONMENT ASSET SERVICES/BRISBANE INFRASTRUCTURE		CHECKED	BI - FSG - AS	DATE	DEC '14		PICNIC TABLE - NATURAL AREA		
A	ORIGINAL ISSUE	DEC '14	DEC '14	DEC '14	DRAWING FILENAME	BSD-10123.dwg					DWG No. BSD - 10123		
ISSUE	AMENDMENT	DRAWN DATE	CHK'D DATE	APPR'D DATE	ASSOCIATED PLANS					ORIGINAL SIZE	A3		
										REVISION	A		