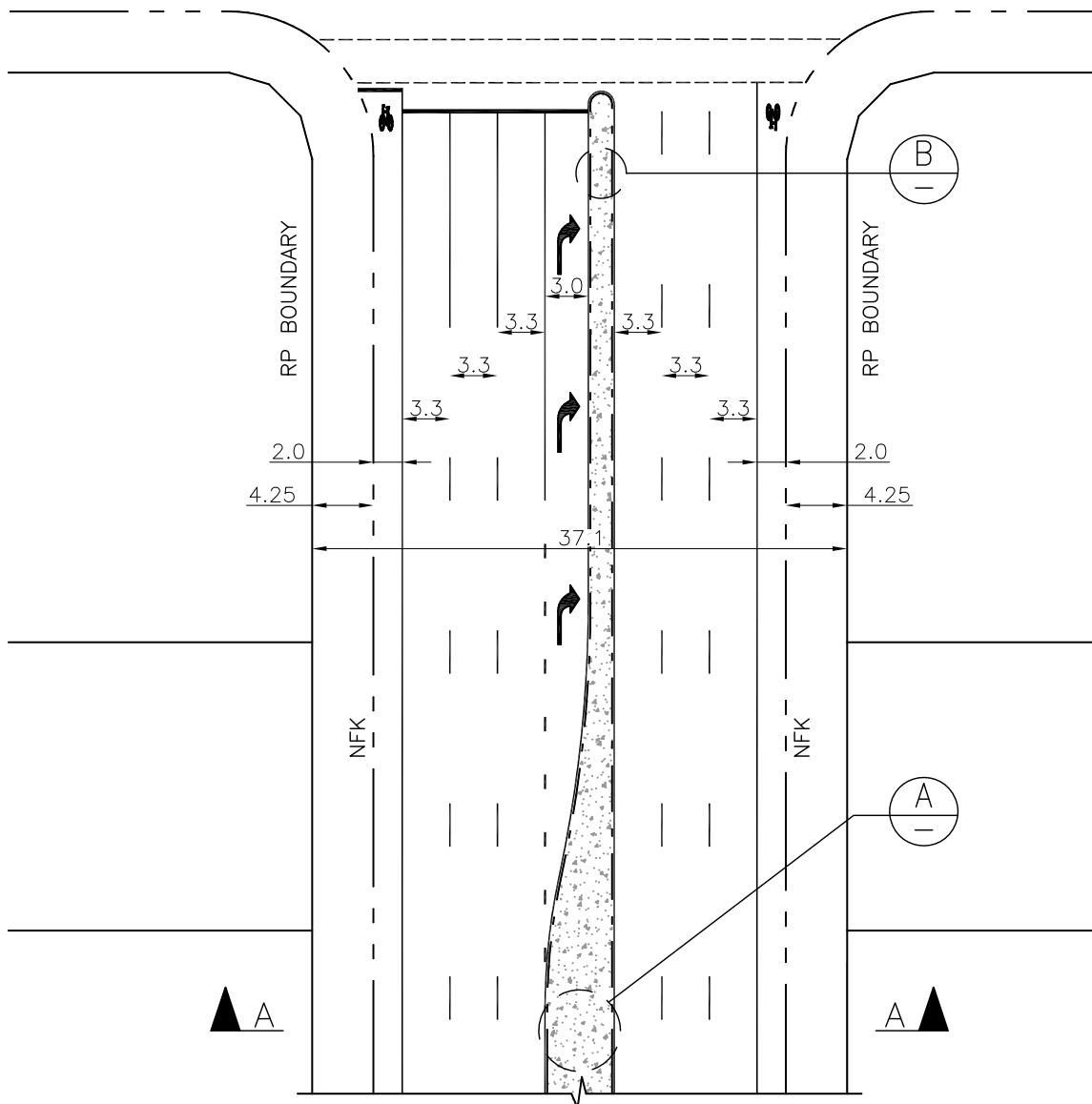
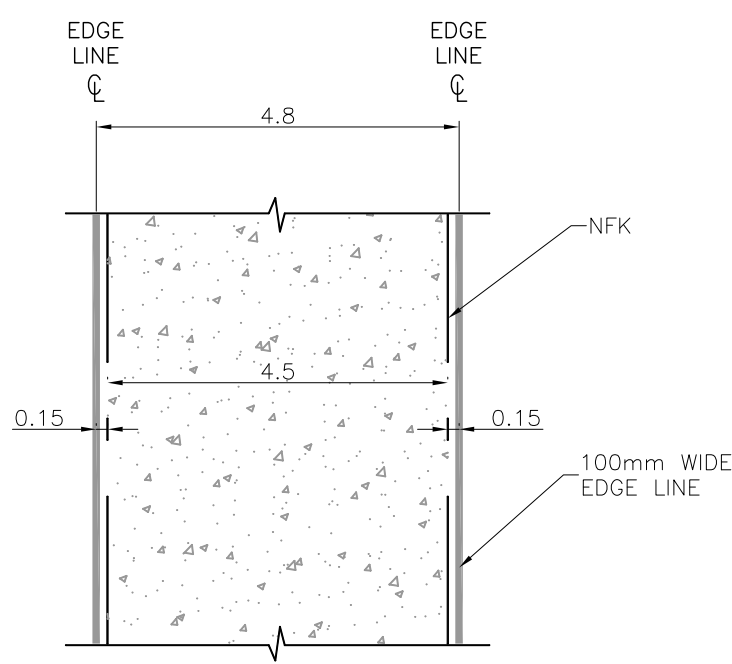


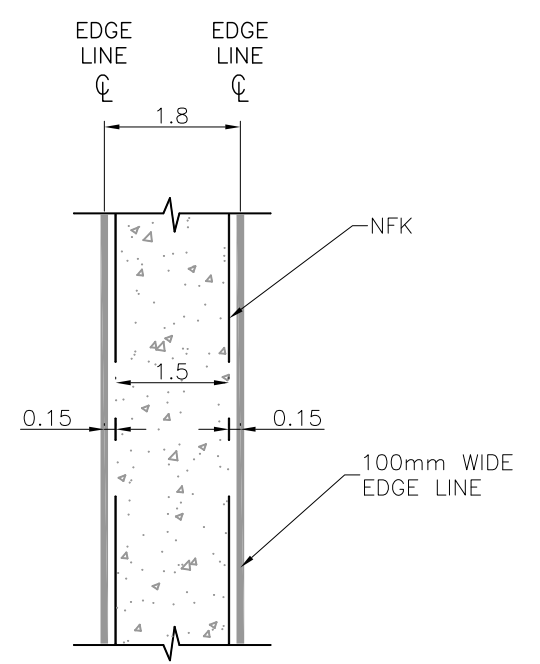
SECTION A-A



PLAN



DETAIL OF MEDIAN A
NOT TO SCALE



DETAIL OF MEDIAN B
NOT TO SCALE

NOTES:

1. DIMENSIONS TO CENTRES OF LONGITUDINAL LINES UNLESS SHOWN OTHERWISE.
2. 3.5m LANES REQUIRED FOR MAJOR FREIGHT ROUTES.
3. NFK REFERS TO NOMINAL FACE OF KERB.
4. ALL DIMENSIONS IN METRES.

ISSUE	AMENDMENT	DRAWN DATE	CHK'D DATE	APPR'D DATE
A	ORIGINAL ISSUE - ADDITIONAL SHEET TO BSD-1022 SERIES	FEB '15	FEB '15	FEB '15

DRAWING AUTHORISED FOR PUBLICATION
I. CONDRIE APPROVED
JUNE 2015
For MANAGER
ASSET MANAGEMENT
DESIGN APPROVED
L. ENRIGHT SIGNATURE ON ORIGINAL
DATED 02/06/15
MANAGER
STRATEGIC PLANNING

DESIGN	BI - TPS - SP	DATE	FEB '15
DRAWN	BI - TPS - SP	DATE	FEB '15
CHECKED	BI - TPS - SP	DATE	FEB '15
DRAWING FILENAME	BSD-1022-3.dwg		
ASSOCIATED PLANS	SUPERSEDES BSD-1022		



BRISBANE CITY COUNCIL STANDARD DRAWING

MAJOR ROAD CORRIDOR
6 TRAFFIC LANES
SHEET 3 OF 5

SCALE	NOT TO SCALE
DWG No.	BSD-1022
ORIGINAL SIZE	A3
REVISION	A