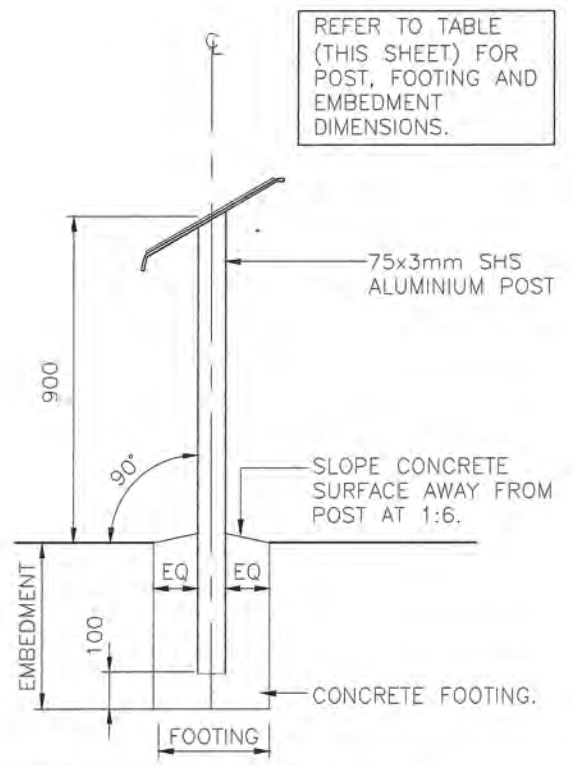


**INTERPRETIVE SIGN IN EXISTING CONCRETE SIDE ELEVATION**  
SCALE: 1:20



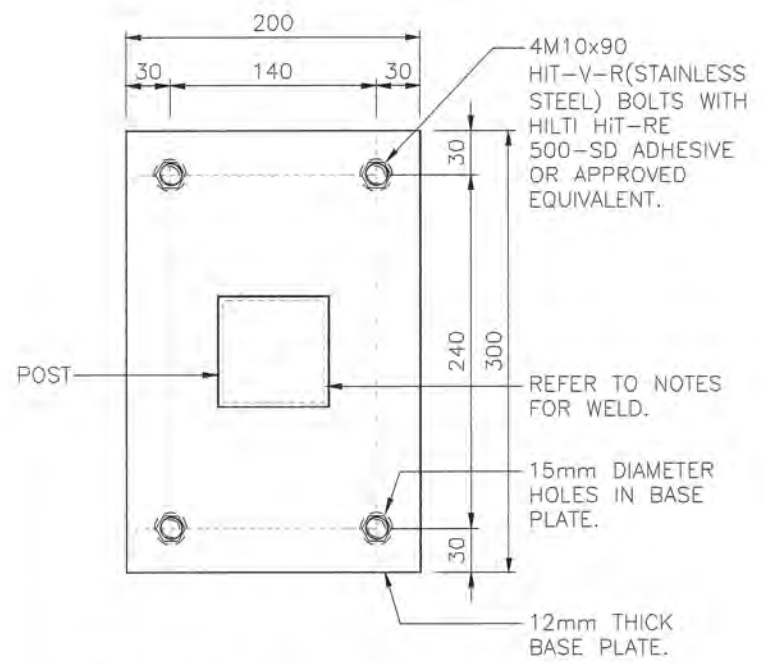
**INTERPRETIVE SIGN IN NEW CONCRETE FOOTING - SIDE ELEVATION**  
SCALE: 1:20

- GENERAL SIGN NOTES**
- ALL DIMENSIONS IN MILLIMETRES (U.N.O.).
  - REFER TO BSD - 10501 (SHEETS 1 AND 2) FOR STRUCTURAL CONCRETE NOTES.
  - REFER TO BSD - 10503 FOR GRAPHIC NOTES.
  - ALL FRAMING SECTIONS TO BE GRADE 6060 T5 ALUMINIUM UNLESS NOTED OTHERWISE.
  - ALL PLATES TO BE GRADE 5083-H321 ALUMINIUM UNO.
  - ALL BOLTS TO BE STAINLESS STEEL GR 316 UNO. PROVIDE APPROVED ISOLATION WASHERS TO ALUMINIUM FRAME.
  - ALL WELDS ARE CATEGORY B 4mm CONTINUOUS FILLET WELD TO AS1665.

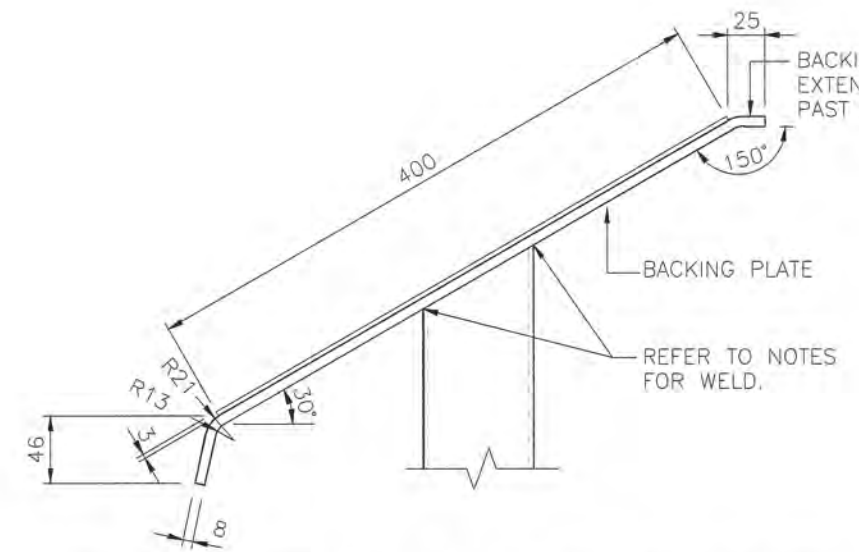
- SIGNAGE PANEL:**
- PANEL TO BE 400mm HIGH x 600mm WIDE, 16 GAUGE, 3mm THICK ALUMINIUM SHEETING.
  - CORNERS OF PANEL TO HAVE 5mm RADIUS WITH ALL CORNERS / EDGES TO BE FREE OF BURRS.
  - ANTI-GRAFFITI CLEAR FILM OR SIMILAR PRODUCT TO FINISHED SURFACE OF PANEL.
  - FIX SIGNAGE PANEL TO BACKING PLATE USING SIKAFLEX-221 OR APPROVED EQUAL AS PER MANUFACTURERS SPECIFICATIONS.

- SIGNAGE POSTS:**
- 75x3mm SHS ALUMINIUM POST.
- DESIGN DATA**
- DESIGN STANDARD: AS1664.1, AS1170, AS1665
  - LIVE LOAD: MAX. 1.5kN CONCENTRATED (LATERAL) LOAD
  - WIND LOAD: REGIONAL WIND SPEED: Ultimate V50=57m/s Serviceability V25=39m/s
  - WIND REGION: B
  - TERRAIN CATEGORY: 1.5
  - SHIELDING MULTIPLIER (Ms): 1.0
  - TOPOGRAPHIC MULTIPLIER (Mt): 1.0

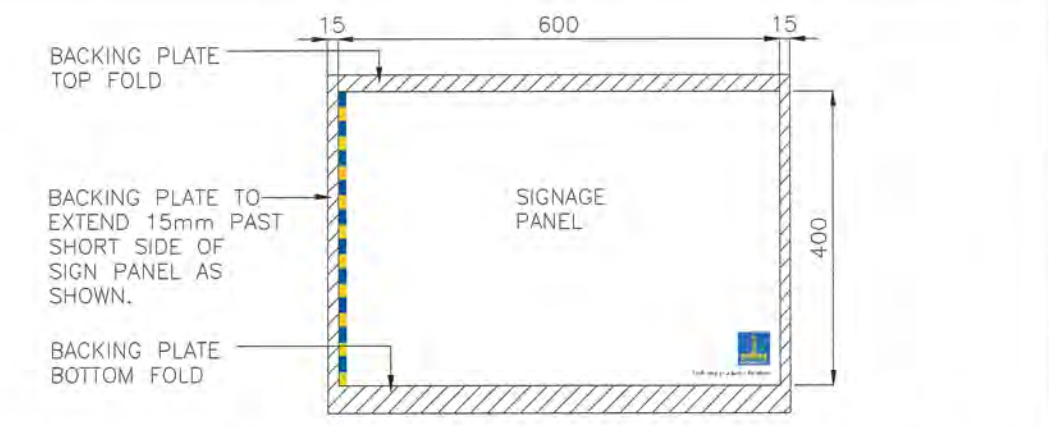
POST, FOOTING AND EMBEDMENT DETAILS					
SIGN NAME	PANEL SIZE	NUMBER OF POST	TERRAIN CATEGORY = 1.5 AND ABOVE		
			POST	FOOTING	EMBEDMENT
INTERPRETIVE SIGN	400x600	1	75x3mm SHS ALUMINIUM	300 DIA	600



**BASE PLATE DETAIL - PLAN**  
SCALE: 1:5



**ALUMINIUM BACKING PLATE DETAIL**  
SCALE: 1:5



**SIGNAGE PANEL TO BACKING PLATE - PLAN**  
SCALE: 1:10

STRUCTURAL DESIGN CERTIFICATION			
DESIGN	Zhuangzhi Hu RPEQ:13885 2015.03.20 16:20:50 +10'00'	DESIGN CHECK	Valentine Figarado RPEQ: 09132 2015.03.20 16:22:04 +10'00'
AUTHORISED FOR ISSUE		Bala Balakumar, RPEQ-3963 2015.03.23 12:02:58 +10'00'	

DRAWING AUTHORISED FOR PUBLICATION			
DESIGN	CPO - P&D	DATE	MAR '15
DRAWN	CPO - P&D	DATE	MAR '15
CHECKED	CPS - NEWS	DATE	MAR '15
DRAWING FILENAME	BSD-10505.dwg		
ASSOCIATED PLANS			

ASSET ENGINEERING MANAGER STRATEGIC ASSET MANAGEMENT

DESIGN APPROVED

SENIOR CO-ORDINATOR PARKS

**BRISBANE CITY COUNCIL STANDARD DRAWING**

SCALE: 1:20

DWG No: **BSD-10505**

**PARK PODIUM INTERPRETIVE SIGNAGE**

ORIGINAL SIZE: A3 REVISION: A

ISSUE	AMENDMENT	DRAWN DATE	CHK'D DATE	APPR'D DATE
A	Drawing Converted From UMS Series March 2015	MAR '15	MAR '15	MAR '15