

# GENERAL SIGN NOTES

- ALL DIMENSIONS IN MILLIMETRES (U.N.O.).
- REFER TO BSD - 10501 (SHEETS 1 AND 2) FOR STRUCTURAL NOTES.
- REFER TO BSD - 10506 FOR ORDINANCE SIGNAGE DETAILS.
- REFER TO BSD - 10507 FOR PICTOGRAM SUITE DETAILS.
- REFER TO BSD - 10508 (SHEET 2 OF 4) FOR GRAPHIC NOTES.
- REFER TO BSD - 10508 (SHEET 3 OF 4) FOR EXAMPLE LAYOUTS.
- REFER TO BSD - 10508 (SHEET 4 OF 4) FOR DETAILED DIMENSIONS FOR DOG OFF-LEASH SIGNS 1 AND 2.

## SIGNAGE PANEL:

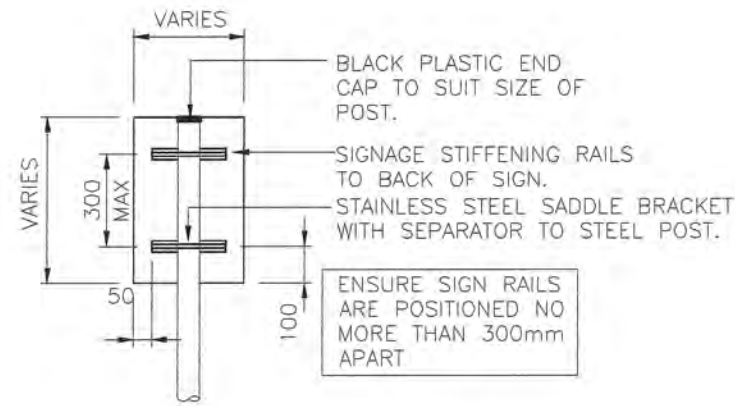
- PANELS TO BE 16 GAUGE, 1.6mm THICK ALUMINIUM SHEETING.
- CORNERS OF PANEL TO HAVE 5mm RADIUS WITH ALL CORNERS / EDGES TO BE FREE OF BURRS.
- ANTI-GRAFFITI CLEAR FILM OR SIMILAR PRODUCT TO FINISHED SURFACE OF PANEL.

## SIGNAGE STIFFENING RAILS:

- REFER TO DEPARTMENT OF TRANSPORT AND MAIN ROADS DRAWING 1369 FOR DETAILS OF SIGN RAIL EXTRUSIONS.
- SIGN RAIL TO BE 44mm WIDE X 40mm DEEP AND 3mm THICK. (TYPE 2A AS PER TRANSPORT AND MAIN ROADS DRAWING 1369).
- SIGN RAIL TO BE POP RIVETED TO SIGN USING 'HENHUB' SELF PIERCING RIVETING SYSTEM OR SIMILAR APPROVED, AT A SPACING BETWEEN 250-300mm APART DEPENDING ON BEST PLACEMENT IN RELATION TO SIGN DESIGN / PANEL COMBINATIONS.
- SIGN RAILS ARE TO BE TYPICALLY POSITIONED 100mm IN FROM TOP AND BOTTOM EDGE OF SIGN AND 50mm FROM SIDE EDGES OF SIGN. IN SOME CASES THIS IS TO VARY TO ENSURE SIGN TEXT AND GRAPHICS ARE UNOBSTRUCTED BY FIXING HOLES.

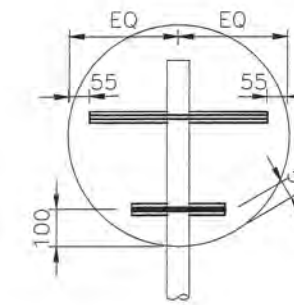
## SIGNAGE POSTS:

- SIGNS ARE TO BE ATTACHED TO POSTS USING STANDARD (API BRAND OR APPROVED SIMILAR) SADDLE BRACKETS TO SUIT SIZE OF POST. SADDLE BRACKETS TO BE STAINLESS STEEL WITH STAINLESS STEEL NUTS AND BOLTS.
- BLACK PLASTIC CAPS TO BE INSTALLED TO END OF POSTS. END CAPS TO SUIT POST SIZE AS SPECIFIED.



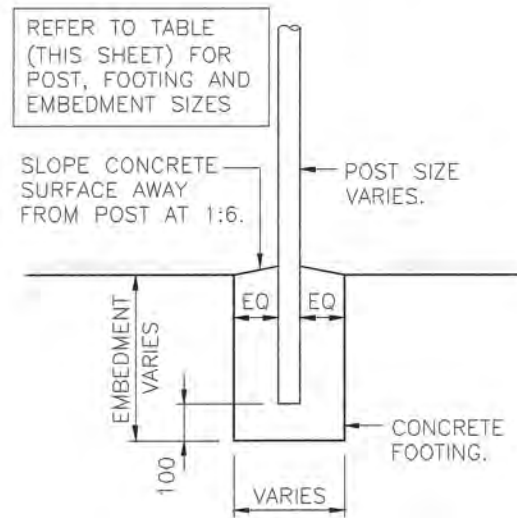
**SINGLE (1) POST TO PANEL C FIXING DETAIL**

SCALE: 1:20



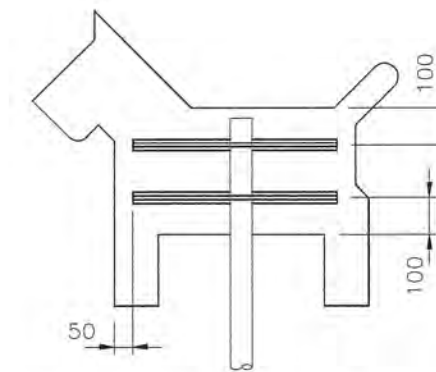
**TYPICAL PANEL D FIXING DETAIL**

SCALE: 1:20



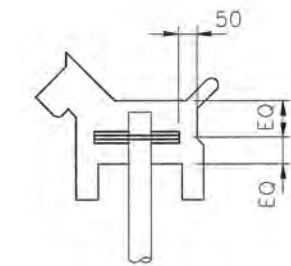
**CONCRETE FOOTING DETAIL**

SCALE: 1:20



**TYPICAL PANEL A FIXING DETAIL**

SCALE: 1:20



**TYPICAL PANEL B FIXING DETAIL**

SCALE: 1:20

## POST, FOOTING AND EMBEDMENT DETAILS

SIGN NAME (REFER TO SHEETS 2 & 3)	NUMBER OF POST	TERRAIN CATEGORY = 1.5 AND ABOVE		
		POST (STEEL) DIAMETER x THICKNESS	FOOTING	EMBEDMENT
DOG OFF-LEASH SIGN - 1	1	114.3x3.6 CHS	300 Dia	1000
DOG OFF-LEASH SIGN - 2	1	76.1x3.2 CHS	300 Dia	700
PLAYGROUND NODE SIGN	1	76.1x3.2 CHS	300 Dia	700

STRUCTURAL DESIGN CERTIFICATION		
DESIGN <i>Zhuangzhi Hu</i>	DESIGN CHECK <i>L. Manth</i>	AUTHORISED FOR ISSUE <i>[Signature]</i>
Zhuangzhi Hu RPEQ13885 2015.03.23 08:41:04 +10'00'	L. Manth RPEQ8950 2015.03.23 08:46:25 +10'00'	Bala Balakumar, RPEQ3963 2015.03.23 11:47:41 +10'00'

DRAWING AUTHORISED FOR PUBLICATION				
DESIGN	CPO - P&D	DATE	MAR '15	
DRAWN	CPO - P&D	DATE	MAR '15	
CHECKED	CPS - NEWS	DATE	MAR '15	
DRAWING FILENAME	BSD-10508_lof4.dwg			
ASSOCIATED PLANS	BSD-10508 SHEETS 2, 3 & 4.dwg			

ASSET ENGINEERING MANAGER STRATEGIC ASSET MANAGEMENT DESIGN APPROVED <i>[Signature]</i> SENIOR CO-ORDINATOR PARKS				
--	--	--	--	--



BRISBANE CITY COUNCIL STANDARD DRAWING	
SCALE	1:20
DWG No	<b>BSD-10508</b>
ORIGINAL SIZE	A3
REVISION	A

**PARK NODE SIGNAGE - GENERAL NOTES - SHEET 1 OF 4**