

GENERAL SIGN NOTES

- ALL DIMENSIONS IN MILLIMETRES (U.N.O.).
- REFER TO BSD - 10501 (SHEETS 1 AND 2) FOR STRUCTURAL NOTES.
- REFER TO BSD - 10507 FOR PICTOGRAM SUITE DETAILS.
- REFER TO BSD - 10509 (SHEET 2 OF 4) FOR GRAPHIC NOTES.
- REFER TO BSD - 10509 (SHEET 3 OF 4) FOR GRAPHIC SETOUT DETAILS.
- REFER TO BSD - 10509 (SHEET 4 OF 4) FOR DIRECTIONAL SIGNAGE TYPICAL LAYOUTS.

SIGNAGE PANELS C AND D:

- PANELS TO BE 16 GAUGE, 1.6mm THICK ALUMINIUM SHEETING.
- CORNERS OF PANEL TO HAVE 5mm RADIUS WITH ALL CORNERS / EDGES TO BE FREE OF BURRS.
- ANTI-GRAFFITI CLEAR FILM OR SIMILAR PRODUCT TO FINISHED SURFACE OF PANEL.

SIGNAGE STIFFENING RAILS:

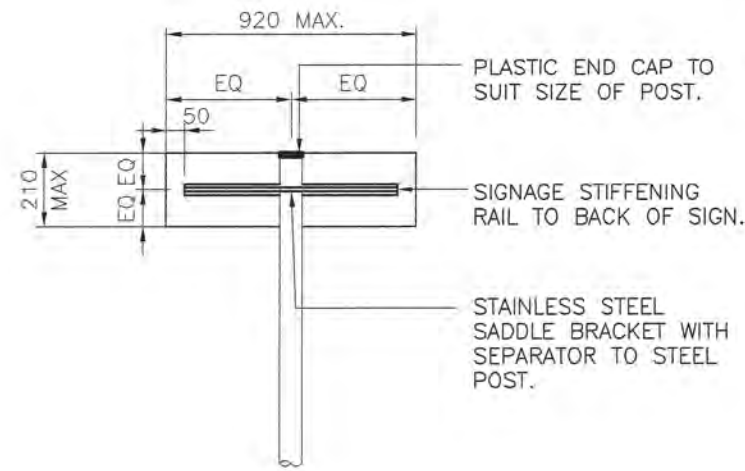
- REFER TO DEPARTMENT OF TRANSPORT AND MAIN ROADS DRAWING 1369 FOR DETAILS OF SIGN RAIL EXTRUSIONS.
- SIGN RAIL TO BE 44mm WIDE X 40mm DEEP AND 3mm THICK. (TYPE 2A AS PER TRANSPORT AND MAIN ROADS DRAWING 1369).
- SIGN RAIL TO BE POP RIVETED TO SIGN USING 'HENHUB' SELF PIERCING RIVETING SYSTEM OR SIMILAR APPROVED. AT A SPACING BETWEEN 250-300mm APART DEPENDING ON BEST PLACEMENT IN RELATION TO SIGN DESIGN / PANEL COMBINATIONS.
- SIGN RAILS ARE TO BE TYPICALLY POSITIONED 100mm IN FROM TOP AND BOTTOM EDGE OF SIGN AND 50mm FROM SIDE EDGES OF SIGN. IN SOME CASES THIS IS TO VARY TO ENSURE SIGN TEXT AND GRAPHICS ARE UNOBSTRUCTED BY FIXING HOLES.

SIGNAGE POSTS:

- POSTS ARE TO BE POSITIONED 160mm (UNLESS OTHERWISE SHOWN) FROM EDGE OF PANEL OR PLACED CENTRALLY ON SIGN.
- SIGNS ARE TO BE ATTACHED TO POSTS USING STANDARD (API BRAND) SADDLE BRACKETS TO SUIT SIZE OF POST. SADDLE BRACKETS TO BE STAINLESS STEEL WITH STAINLESS STEEL NUTS AND BOLTS.
- BLACK PLASTIC CAPS TO BE INSTALLED TO END OF POSTS. END CAPS TO SUIT POST SIZE AS SPECIFIED.

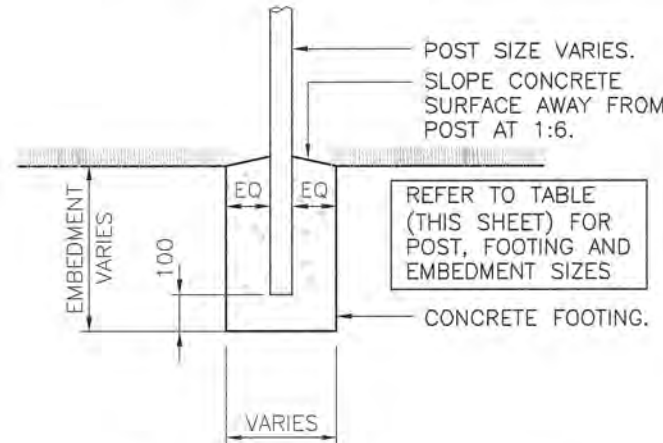
SIGNAGE PANELS A AND B:

- REFER TO BSD-3102 FOR FIXING DETAILS FOR OPTIONS 1 AND 2 (AS SHOWN ON SHEET 4 OF 4).



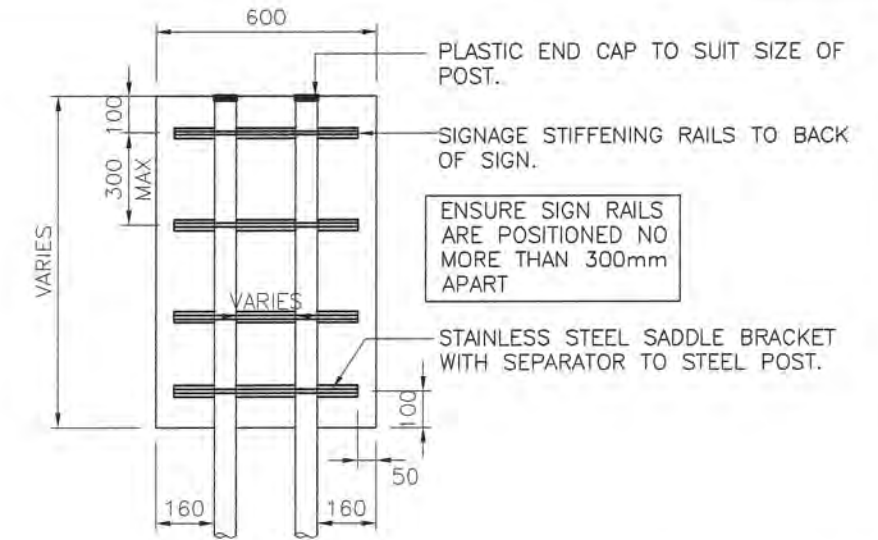
**SINGLE (1) POST TO PANEL B
OPTION 3 FIXING DETAIL ONLY**

SCALE: 1:20



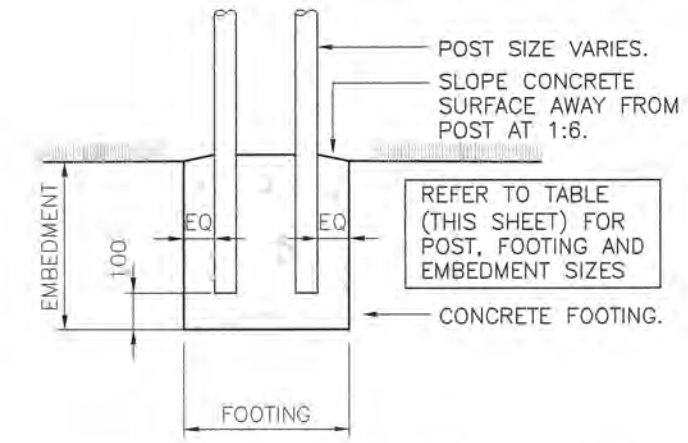
**CONCRETE FOOTING DETAIL
SINGLE POST**

SCALE: 1:20



**DOUBLE (2) POST TO PANELS C & D
FIXING DETAIL**

SCALE: 1:20



**CONCRETE FOOTING DETAIL
DOUBLE POST**

SCALE: 1:20

POST, FOOTING AND EMBEDMENT DETAILS

SIGN NAME (REFER TO SHEET 3)	NUMBER OF POST	TERRAIN CATEGORY = 1.5 AND ABOVE		
		POST (STEEL) DIAMETER x THICKNESS	FOOTING	EMBEDMENT
DIRECTIONAL SIGN - OPTION 1	1	114.3x3.2 CHS	300 Dia	900
DIRECTIONAL SIGN - OPTION 2 AND 3	1	88.9x3.2 CHS	300 Dia	800
DIRECTIONAL PARK MAP SIGN	2	60.3x2.9 CHS	450 Dia	1000

STRUCTURAL DESIGN CERTIFICATION		
DESIGN <i>shuangzhi hu</i>	DESIGN CHECK <i>L.M.</i>	AUTHORISED FOR ISSUE <i>[Signature]</i>
Zhuangzhi Hu RPEQ13885 2015.03.20 11:45:20 +10'00'	Lentia Mendis RPEQ8950 2015.03.20 12:10:59 +10'00'	Bala Balakumar, RPEQ3963 2015.03.20 14:03:10 +10'00'

DRAWING AUTHORISED FOR PUBLICATION			
DESIGN	CPO - P&D	DATE	MAR '15
DRAWN	CPO - P&D	DATE	MAR '15
CHECKED	CPS - NEWS	DATE	MAR '15
DRAWING FILENAME	BSD-10509_1of4.dwg		
ASSOCIATED PLANS	BSD-10509 SHEETS 2, 3 & 4.dwg		



BRISBANE CITY COUNCIL STANDARD DRAWING	
PARK DIRECTIONAL SIGNAGE -	SCALE AS SHOWN
TYPICAL INSTALLATION DETAILS -	DWG No. BSD-10509
SHEET 1 OF 4	ORIGINAL SIZE A3
	REVISION A