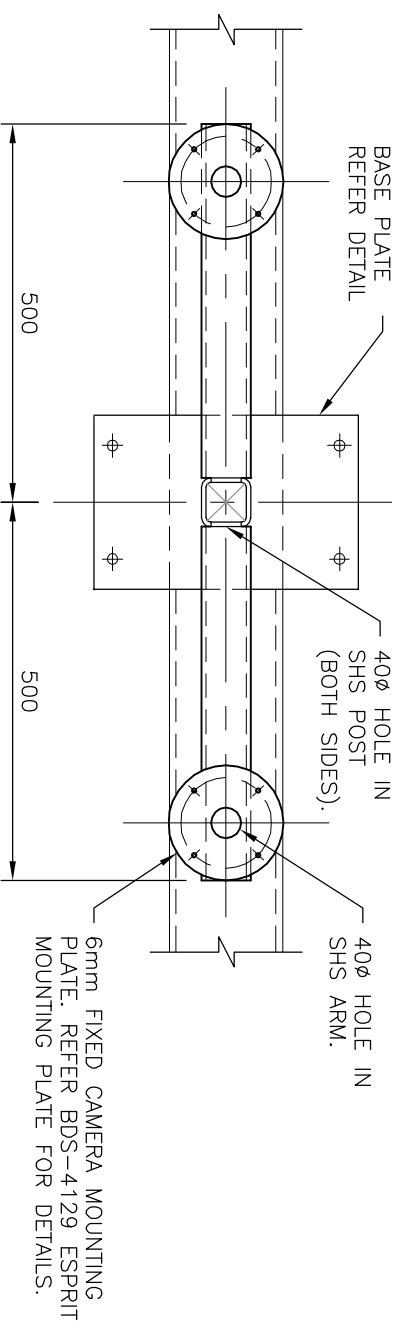
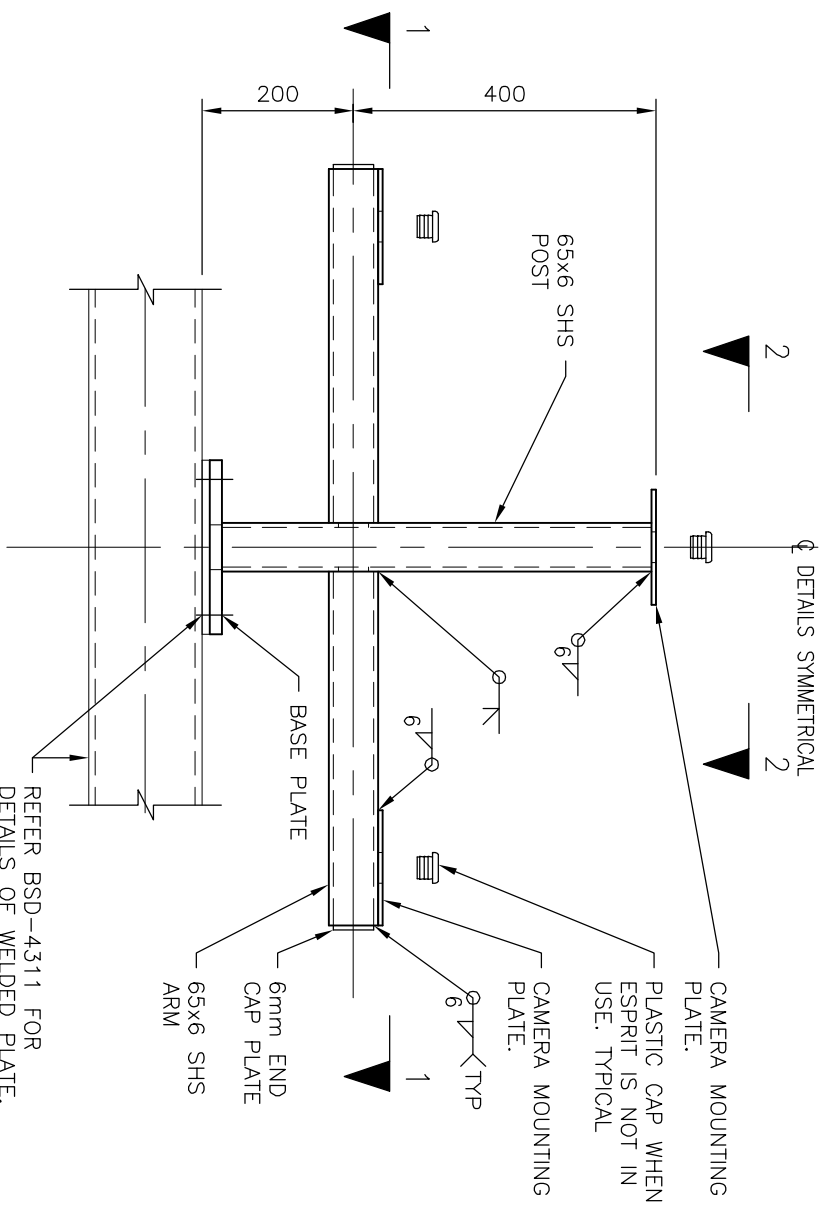


**SECTION 2**  
SCALE 1:10  
6mm FIXED CAMERA MOUNTING PLATE. REFER BDS-4129 ESPRIT MOUNTING PLATE FOR DETAILS.



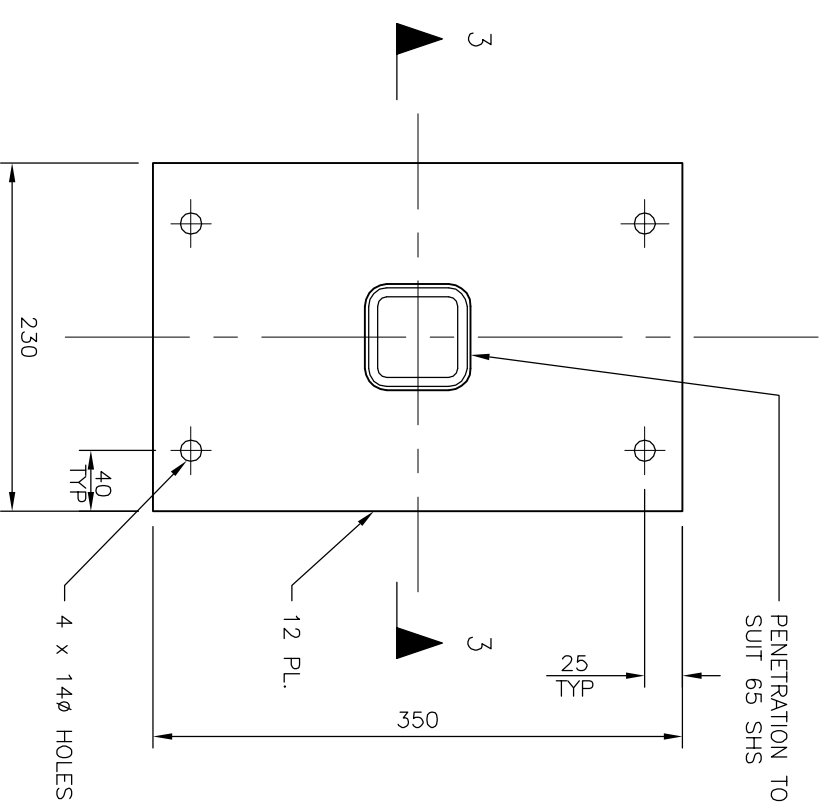
**SECTION 1**  
SCALE 1:10  
DETAILS SYMMETRICAL



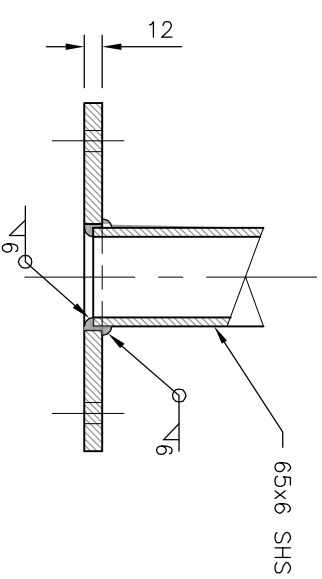
REFER BSD-4311 FOR DETAILS OF WELDED PLATE.

**ARM AND BRACKET ELEVATION**

SCALE 1:10



**POST BASE PLATE DETAIL**  
SCALE 1:5



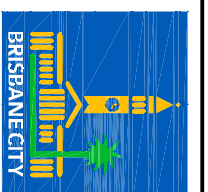
**SECTION 3**  
SCALE 1:5

CONTRACTOR TO CONFIRM THE MAKE AND MODEL OF THE CAMERAS AND MOUNTING HOLE DETAILS PRIOR TO FABRICATING THE BRACKETS.

DRAWING AUTHORISED FOR PUBLICATION		DESIGN	RH	DATE	OCT '14
ASSET ENGINEERING MANAGER STRATEGIC ASSET MANAGEMENT		DRAWN	GVF	DATE	OCT '14
DESIGN APPROVED E. Bradley Signature on Original June 2015		CHECKED	LM	DATE	OCT '14
INTELLIGENT TRANSPORT SYSTEMS MANAGER CONGESTION REDUCTION UNIT		DRAWING FILENAME ASSOCIATED PLANS	BSD-4131.dwg	BSD-4131 SHEET 1	

<b>STRUCTURAL DESIGN CERTIFICATION</b>		DESIGN CHECK	AUTHORISED FOR ISSUE
<b>BRISBANE CITY COUNCIL STANDARD DRAWING</b>			

ISSUE	AMENDMENT	DRAWN DATE	CHK'D DATE	APP'D DATE
A	ORIGINAL ISSUE	OCT 14	OCT 14	NOV 14



<b>BRISBANE CITY COUNCIL STANDARD DRAWING</b>		SCALE	NOT TO SCALE
ARM AND BRACKET FOR CAMERAS ON VMS GANTRY SHEET 2-FABRICATION DETAILS		DWG No.	BSD-4131
ORIGINAL SIZE	A3	REVISION	A