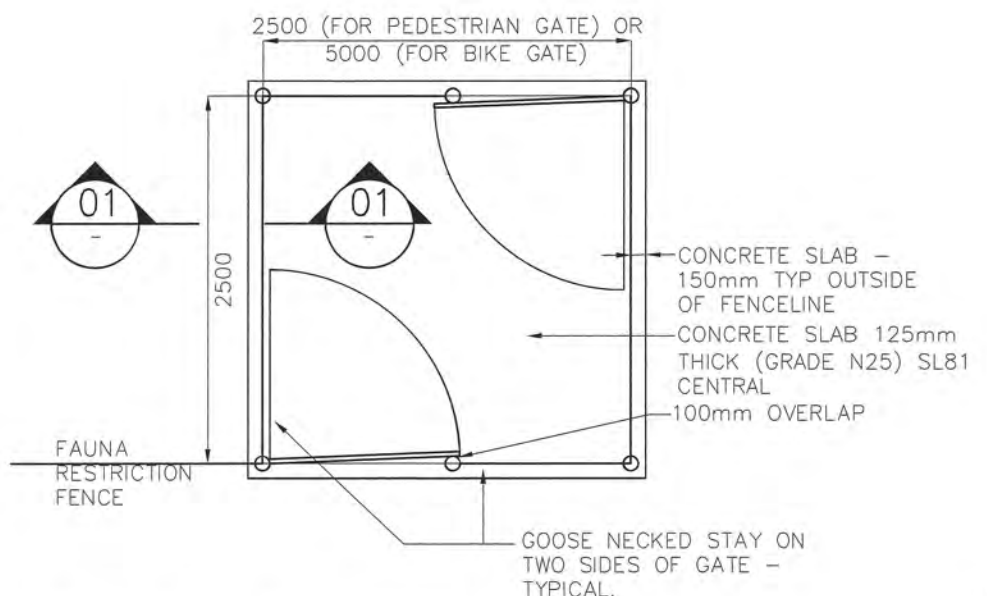
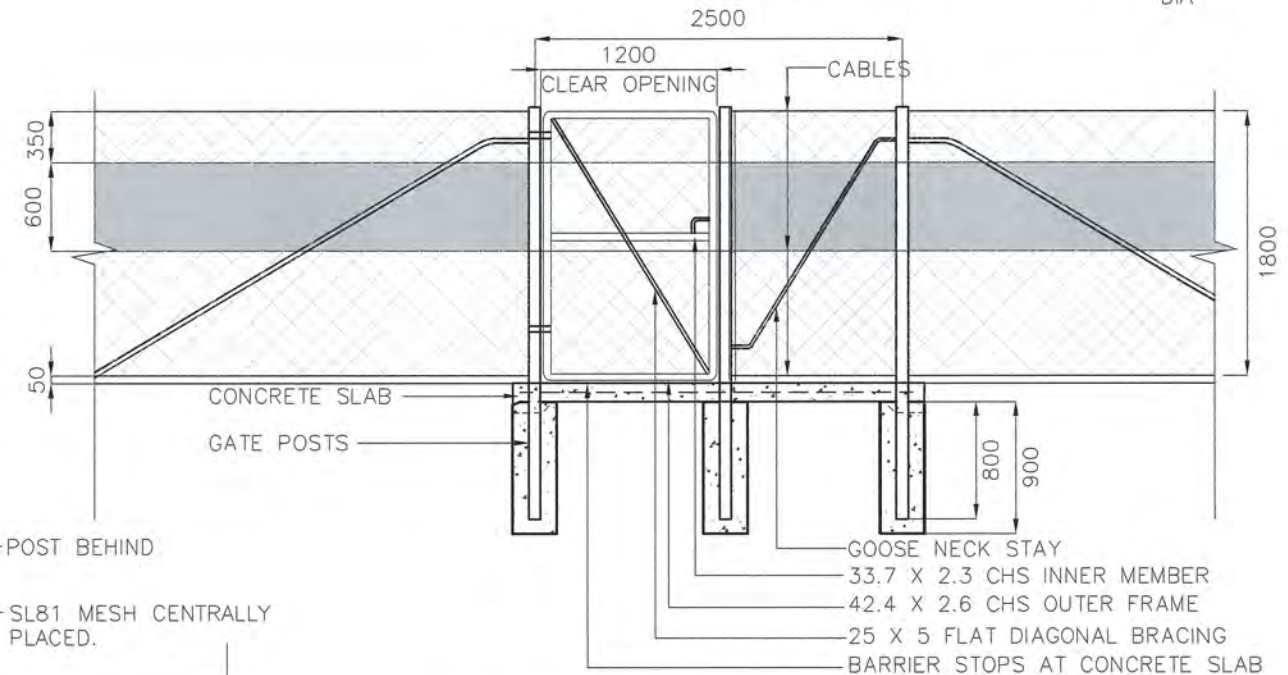


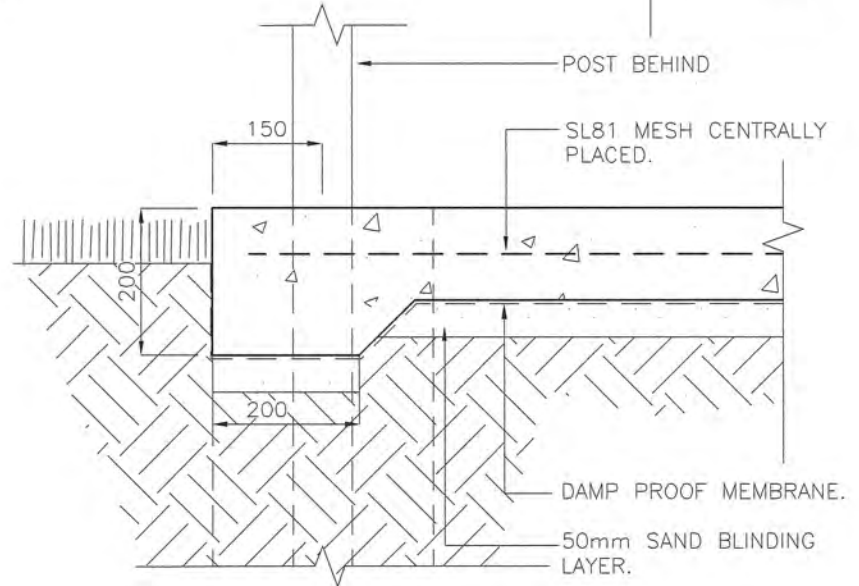
ELEVATION
SCALE: 1:50





TYPICAL PEDESTRIAN/BICYCLE GATE - PLAN
SCALE: 1:50



TYPICAL PEDESTRIAN GATE - ELEVATION
SCALE: 1:50



**SECTION 1-1
SLAB EDGE THICKENING DETAIL**
SCALE: 1:10

				DRAWING AUTHORISED FOR PUBLICATION		DESIGN	CPO - P&D	DATE	DEC '14		BRISBANE CITY COUNCIL STANDARD DRAWING		
				FOR ASSET ENGINEERING MANAGER STRATEGIC ASSET MANAGEMENT		DRAWN	CPO - P&D	DATE	DEC '14		SCALE	AS SHOWN	
				DESIGN APPROVED		CHECKED	BI - FSG - AS	DATE	DEC '14		DWG No.	BSD-7009	
				 SENIOR CO-ORDINATOR NATURAL ENVIRONMENT ASSET SERVICES/BRISBANE INFRASTRUCTURE		DRAWING FILENAME	BSD-7009-Sheet 2 of 2.dwg				ORIGINAL SIZE	A3	
A	ORIGINAL ISSUE	DEC '14	DEC '14	DEC '14		ASSOCIATED PLANS	BSD-7009-Sheet 1					REVISION	A
ISSUE	AMENDMENT	DRAWN DATE	CHK'D DATE	APPR'D DATE								FENCE - NATURAL AREA - CHAINWIRE FAUNA EXCLUSION FENCE - SHEET 2 OF 2	