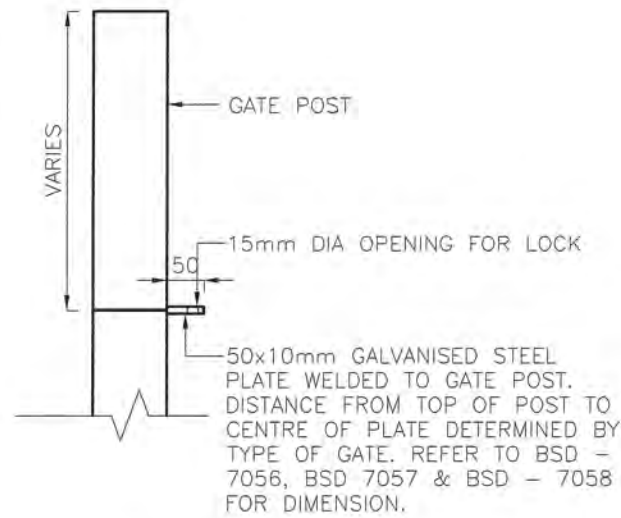


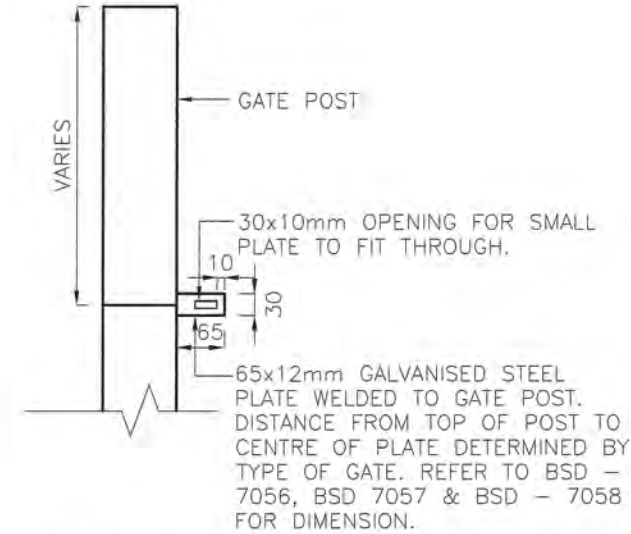
**SINGLE LOCK - LOCKING BOX - ELEVATION**

SCALE: 1:10



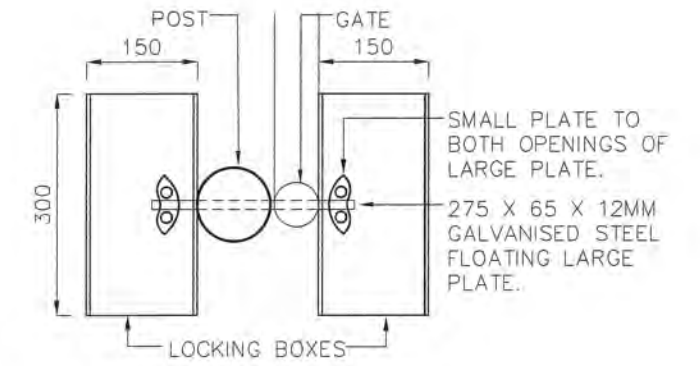
**SINGLE LOCK - PLATE TO POST DETAIL - ELEVATION**

SCALE: 1:10



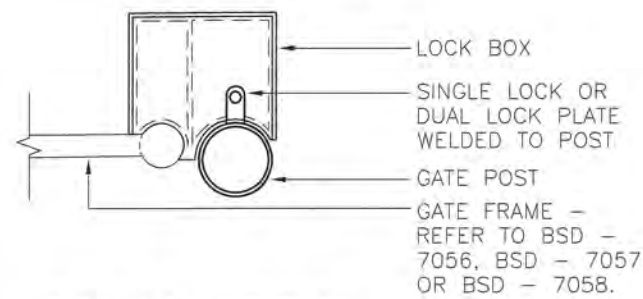
**DUAL LOCK - PLATE TO POST DETAIL - ELEVATION**

SCALE: 1:10



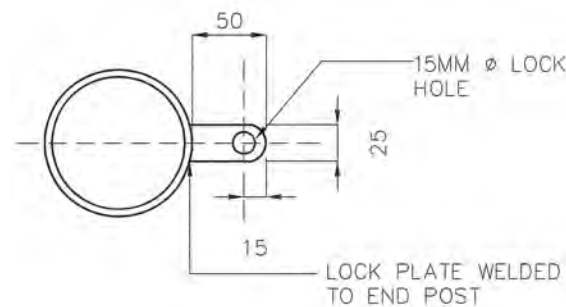
**MULTIPLE LOCK - LOCKING BOX - PLAN**

SCALE: 1:10



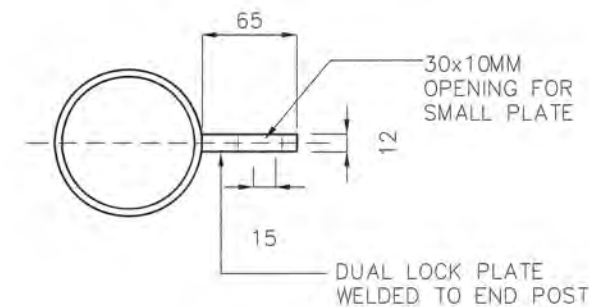
**SINGLE LOCK - LOCKING BOX - PLAN**

SCALE: 1:5



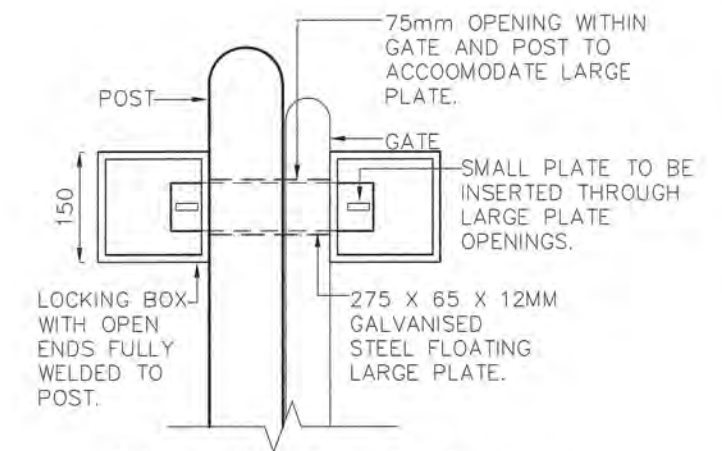
**SINGLE LOCK PLATE TO POST DETAIL - PLAN**

SCALE: 1:5



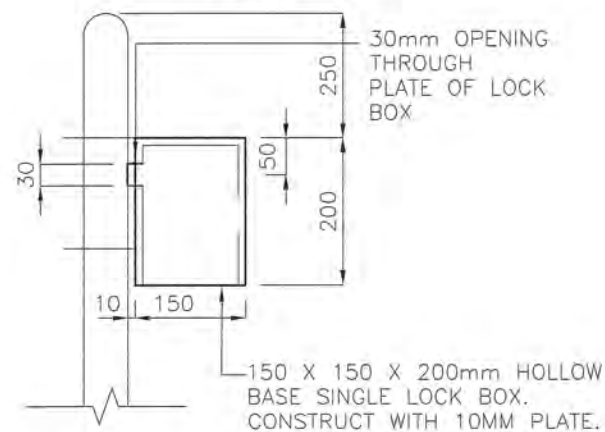
**DUAL LOCK PLATE TO POST DETAIL - PLAN**

SCALE: 1:5



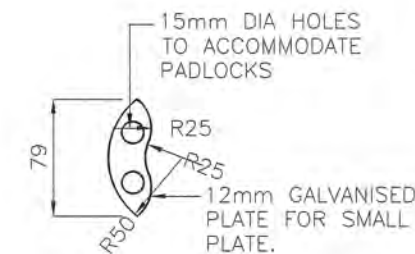
**MULTIPLE LOCK - LOCKING BOX - SECTION**

SCALE: 1:10



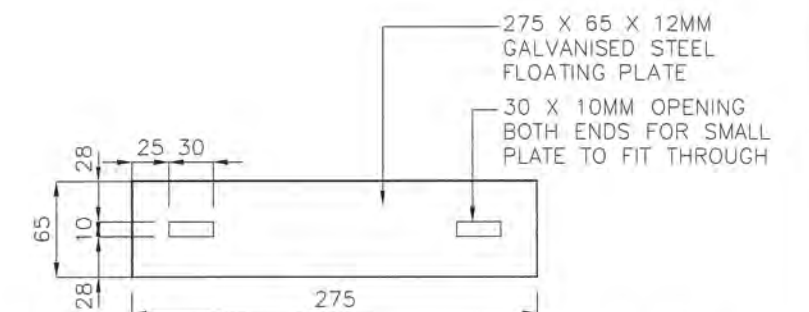
**SINGLE LOCK - SIDE ELEVATION**

SCALE: 1:10





**SMALL PLATE - DUAL/MULTIPLE LOCK - LOCKING BOX**

SCALE: 1:5



**LARGE PLATE - MULTIPLE LOCK - LOCKING BOX**

SCALE: 1:5

				DRAWING AUTHORISED FOR PUBLICATION		DESIGN	CPO - P&D	DATE	DEC '14		<b>BRISBANE CITY COUNCIL STANDARD DRAWING</b>		
				FOR ASSET ENGINEERING MANAGER STRATEGIC ASSET MANAGEMENT		DRAWN	CPO - P&D	DATE	DEC '14		SCALE	AS SHOWN	
				DESIGN APPROVED		CHECKED	BI - FSG - AS	DATE	DEC '14		DWG No.	BSD-7059	
				 SENIOR CO-ORDINATOR NATURAL ENVIRONMENT ASSET SERVICES/BRISBANE INFRASTRUCTURE		DRAWING FILENAME	BSD-7059-Sheet 2 of 2.dwg				ORIGINAL SIZE	A3	
A	ORIGINAL ISSUE	DEC '14	DEC '14	DEC '14		ASSOCIATED PLANS	BSD-7059-Sheet 1			REVISION	A		
ISSUE	AMENDMENT	DRAWN DATE	CHK'D DATE	APPR'D DATE		GATE - NATURAL AREA - LOCKING BOXES - SHEET 2 OF 2 - DETAILS							