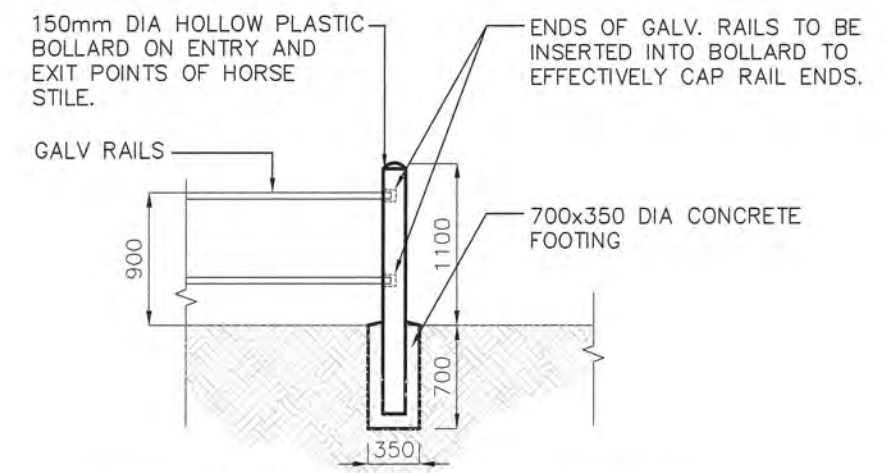
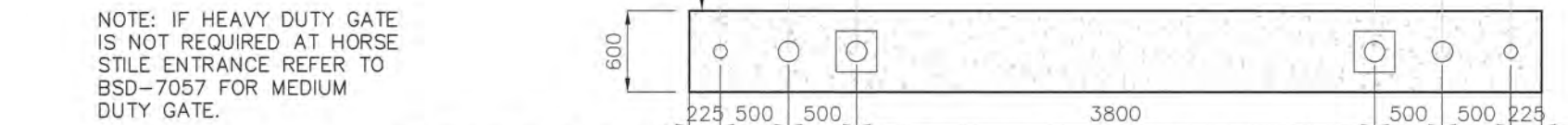
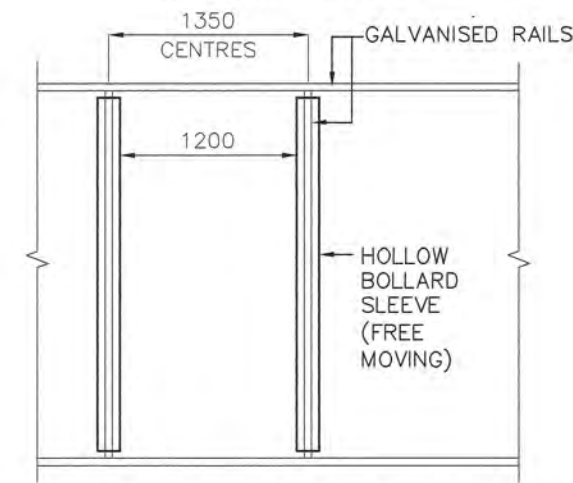


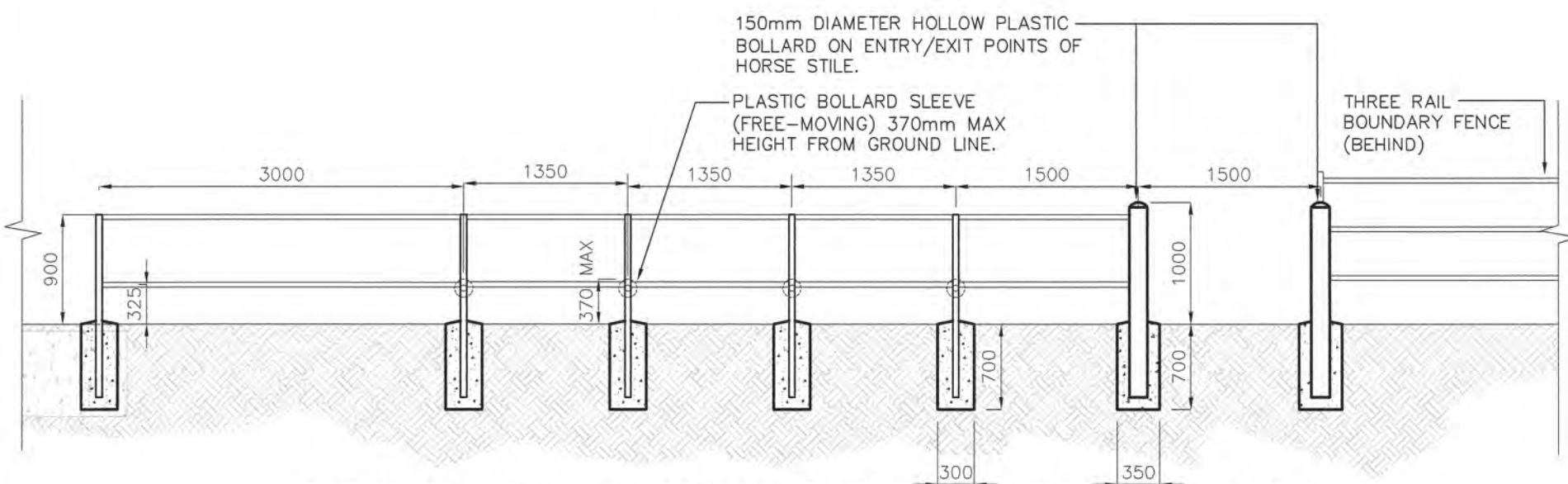
ELEVATION A – EXTERNAL ELEVATION OF HORSE STILE AND ENTRY GATE
SCALE 1:50



BOLLARD AND RAIL DETAIL
SCALE 1:50



HORSE STILE DETAIL
SCALE 1:50



ELEVATION B – INTERNAL ELEVATION OF HORSE STILE
SCALE 1:50

NOTES

1. GALVANISED STEEL GATE POSTS AND BOLLARDS TO BE 110mm DIAMETER, CONCRETE FILLED AND CAPPED.
2. RECYCLED PLASTIC BOLLARDS TO BE 150mm DIAMETER.
3. GATE HINGES TO BE WELDED (NOT BOLTED BRACKETS).
4. GATE LOCKING ASSEMBLY TO BE EITHER HIGH TENSILE CHAIN WELDED TO GATE POST OR A PROTECTIVE BOX SET-UP TO HOUSE THE LOCK.
5. STEP OVER RAILS TO BE FIXED WITH BOLTED BRACKET AND TAC-WELDED NUTS. (TO ALLOW REPLACEMENT OF PLASTIC SLEEVE AS NECESSARY).
6. NO SHARP PROTRUSIONS OR UNPROTECTED RAIL ENDS WITHIN HORSE STILE STRUCTURE.
7. PLASTIC SLEEVE ON STEP-OVER RAILS NEED TO BE FREE MOVING.

				DRAWING AUTHORISED FOR PUBLICATION				DESIGN		CPO - P&D		DATE		DEC '14					
				ASSET ENGINEERING MANAGER STRATEGIC ASSET MANAGEMENT				DRAWN		CPO - P&D		DATE		DEC '14					
				DESIGN APPROVED <i>S. Wood</i>				CHECKED		BI - FSG - AS		DATE		DEC '14					
A ORIGINAL ISSUE				DEC '14		DEC '14		DRAWING FILENAME		BSD-7071-Sheet 2 of 2.dwg									
ISSUE				AMENDMENT		DRAWN DATE		CHK'D DATE		APPR'D DATE		ASSOCIATED PLANS		BSD-7071-Sheet 1					
																BRISBANE CITY COUNCIL STANDARD DRAWING ENTRANCE BARRIER – NATURAL AREA – LARGE HORSE STILE – SHEET 2 OF 2			
												DWG No.		BSD-7071					
												ORIGINAL SIZE		A3					
												REVISION		A					