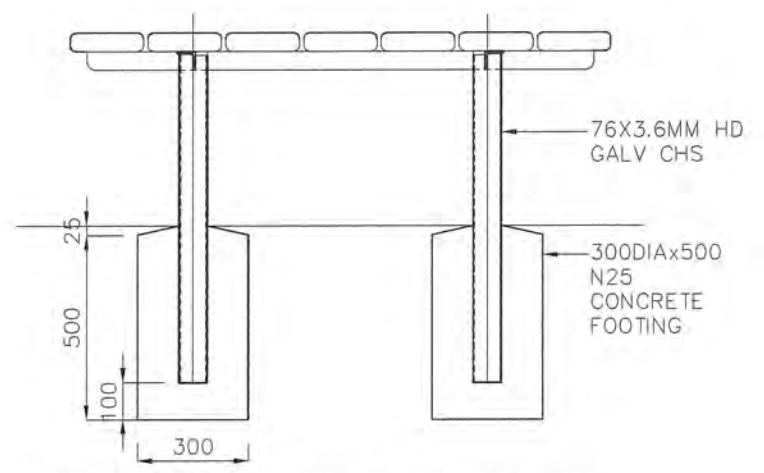
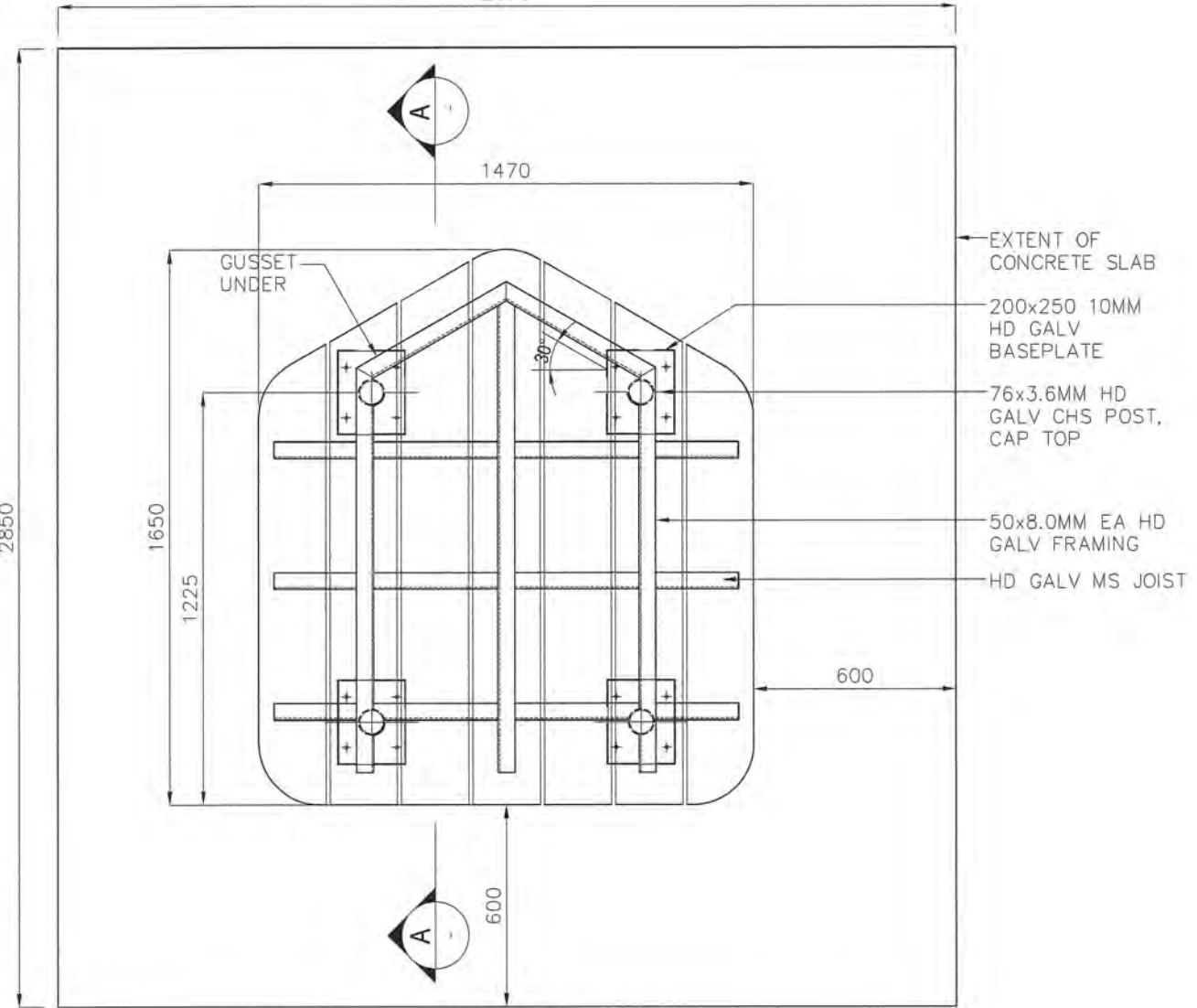


ELEVATION
SCALE 1:20
2670

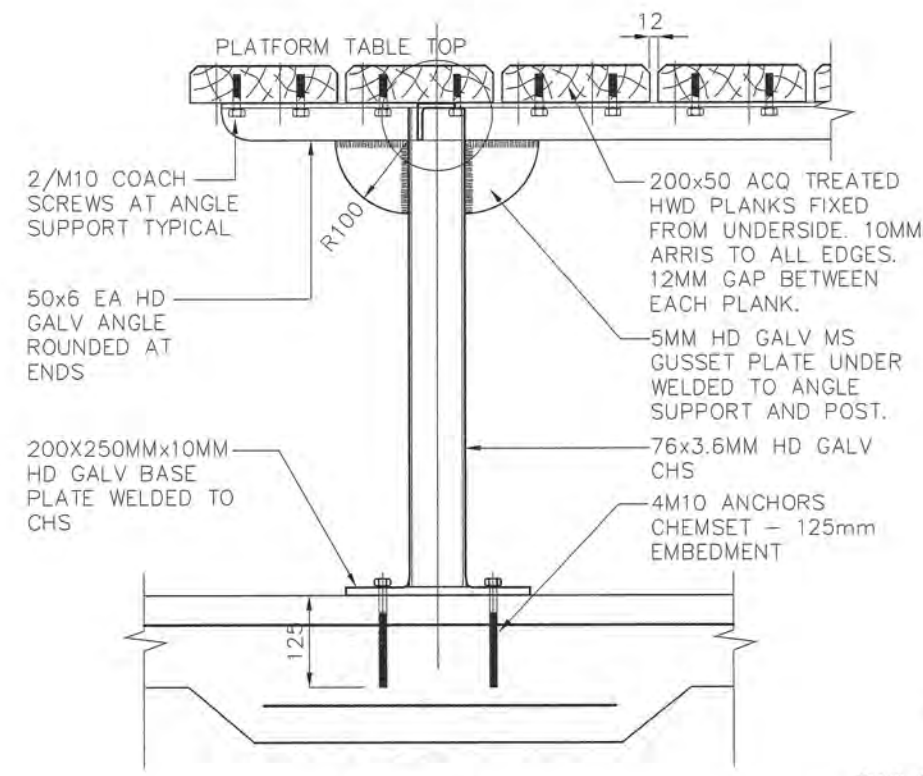


ALTERNATIVE FOOTING DETAIL
SCALE 1:20

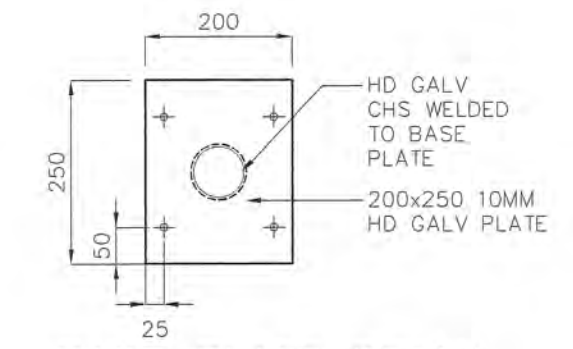
- NOTES**
- SITE SETOUT TO BE VERIFIED BY SUPERINTENDENT OR LANDSCAPE ARCHITECT PRIOR TO THE COMMENCEMENT OF CONSTRUCTION WORKS.
 - VERIFY LOCATION OF ALL SERVICES AND EASEMENTS PRIOR TO THE COMMENCEMENT OF WORKS.
 - ALL FOOTINGS ARE TO BE FOUNDED IN THE NATURAL UNDISTURBED SOIL PROFILE WITH A MINIMUM ALLOWABLE SOIL BEARING CAPACITY OF 100kPa UNLESS NOTED OTHERWISE. IF SITE CONDITION IS DIFFERENT, CONSULT A STRUCTURAL ENGINEER
 - ALL DIMENSIONS ARE IN MILLIMETRES UNLESS SHOWN OTHERWISE U.N.O
 - DIMENSIONS SHALL NOT BE OBTAINED BY SCALING OFF DRAWINGS
 - ALL METALWORK TO BE HD GALVANISED AFTER FABRICATION UNLESS OTHERWISE NOTED
 - ALL WELDS TO BE CONTINUOUS, GROUND OFF SMOOTH AND FLUSH
 - ANGLES TO BE 50X50X6 MS ROUNDED AT EDGES



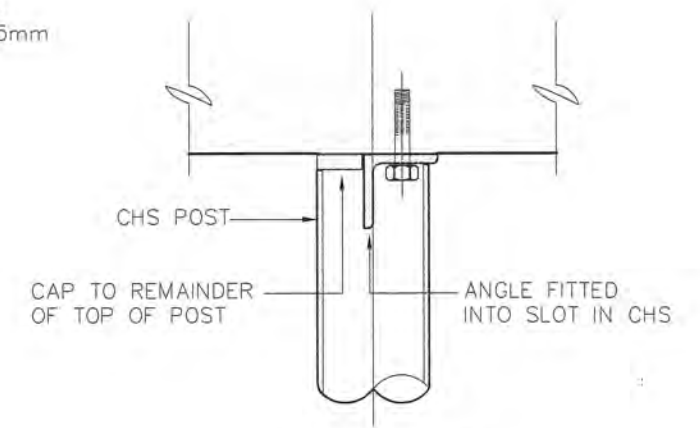
PLAN
SCALE 1:20



SECTION A-A
SCALE 1:20



BASE PLATE DETAIL
SCALE 1:10



DETAIL A
SCALE 1:5

ISSUE	AMENDMENT	DRAWN DATE	CHK'D DATE	APPR'D DATE
A	ORIGINAL ISSUE	DEC '14	DEC '14	DEC '14

DRAWING AUTHORISED FOR PUBLICATION			
DESIGN	CPO - P&D	DATE	DEC '14
DRAWN	CPO - P&D	DATE	DEC '14
CHECKED	BI - FSG - AS	DATE	DEC '14
DRAWING FILENAME	BSD-10126.dwg		
ASSOCIATED PLANS			



BRISBANE CITY COUNCIL STANDARD DRAWING	
PLATFORM TABLE - NATURAL AREA	
SCALE	AS SHOWN
DWG No.	BSD - 10126
ORIGINAL SIZE	A3
REVISION	A