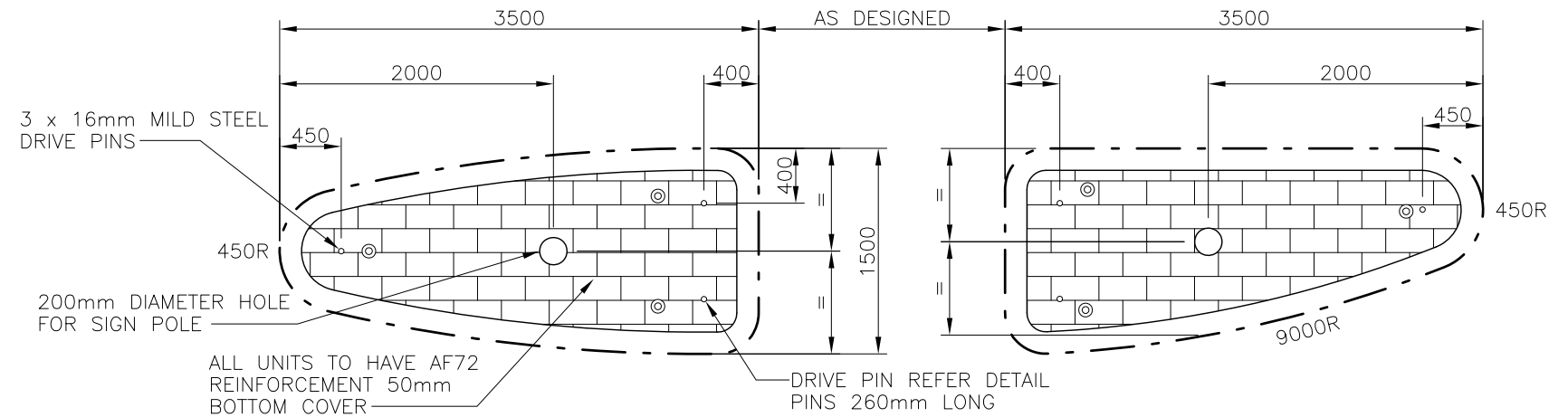


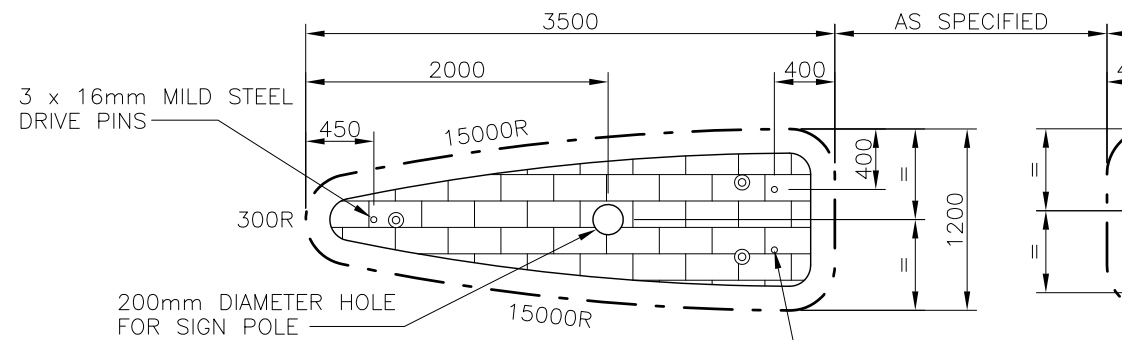
PC-6



PC-7

PC-8

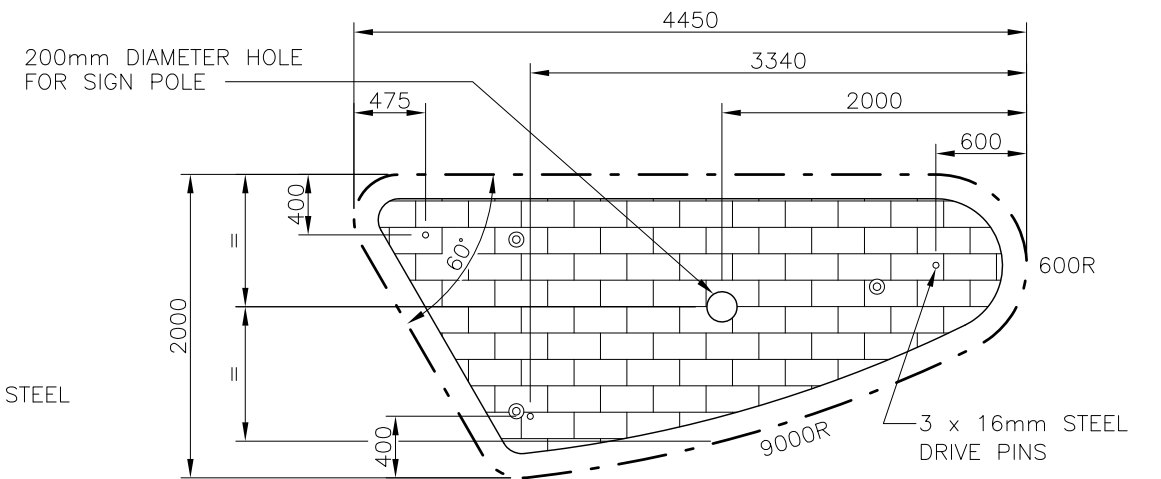
(MIRRORED VERSION PC-13)



PC-9

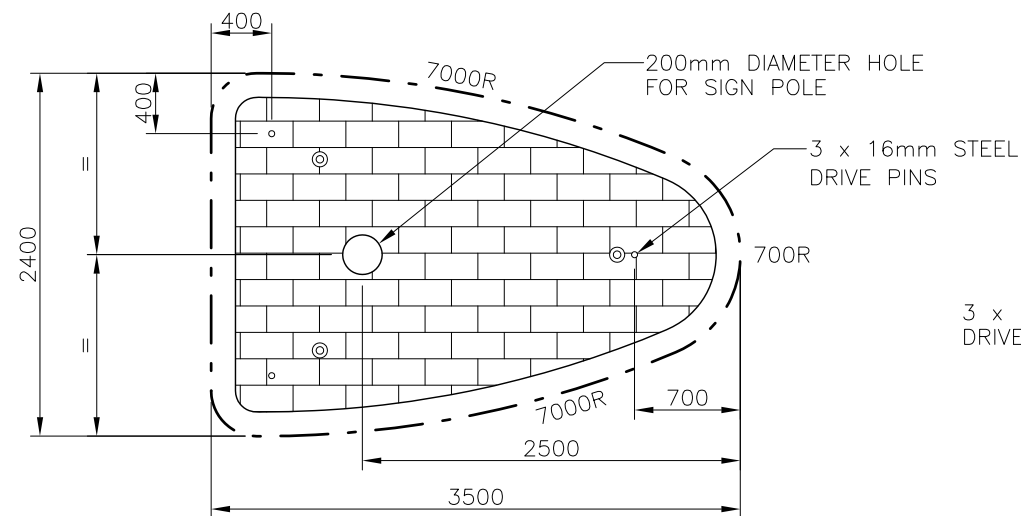
PC-10

(MIRRORED VERSION PC-14)

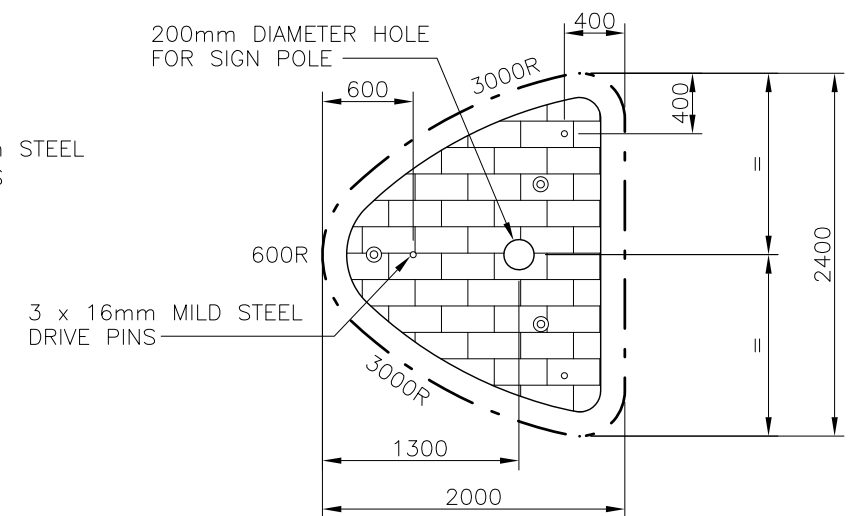


PC-11

(MIRRORED VERSION PC-15)



PC-16



PC-17

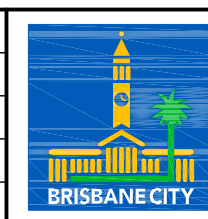
NOTES

1. ALL FACES OF KERBS ARE TO BE PAINTED WITH WHITE RETROREFLECTIVE PAINT OR SIMILAR.
2. ISLAND SURFACE SHALL BE STAMPED "BRICK" PATTERN WITH RED COLOUR IN ACCORDANCE WITH B.C.C. SPECIFICATION No. S155.
3. ALL PRECAST UNITS CONCRETE STRENGTH TO BE 32MPa.
4. ALL DIMENSIONS IN mm AND RADII 300mm UNLESS NOTED OTHERWISE.
5. DRIVE PINS ARE TO BE 16mm DIAMETER MILD STEEL (4.6) 260mm LONG GALVANISED CUPHEAD AND COUNTERSUNK.
6. © DENOTES SWING LIFT ANCHOR POINTS.
7. REFER TO BSD-2061 FOR TYPICAL ELEVATION, SECTION AND DRIVE PIN DETAILS.
8. FOR DESIGN NOTES, CONSTRUCTION NOTES AND LEGEND REFER TO BSD-3201.

ISSUE	AMENDMENT	DRAWN DATE	CHK'D DATE	APPR'D DATE
B	Notes, Island Pattern and Dimensions Amended	JUNE '15	JUNE '15	JUNE '15
A	Drawing Converted from UMS Series April 2014	APR '14	APR '14	APR '14

DRAWING AUTHORISED FOR PUBLICATION
 P.COTTON SIGNATURE ON ORIGINAL
 DATED 06/09/06 R.P.E.Q: 2 5 4 6
 ASSET ENGINEERING MANAGER
 STRATEGIC ASSET MANAGEMENT
 DESIGN APPROVED
 V.NASH SIGNATURE ON ORIGINAL
 SENIOR PROGRAM OFFICER
 ROAD NETWORK

DESIGN	Std Dwgs WG	DATE	May '06
DRAWN	CP0 - P&D	DATE	May '06
CHECKED	D.Maher	DATE	June '06
DRAWING FILENAME	BSD-2062.dwg		
ASSOCIATED PLANS	SUPERSEDES UMS-982		



BRISBANE CITY COUNCIL STANDARD DRAWING

SCALE: NOT TO SCALE

**PRECAST TRAFFIC ISLANDS
 CODES AND DETAILS
 SHEET 2 OF 2**

DWG No. **BSD-2061**

ORIGINAL SIZE	REVISION
A3	B