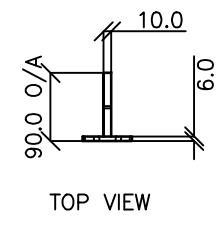
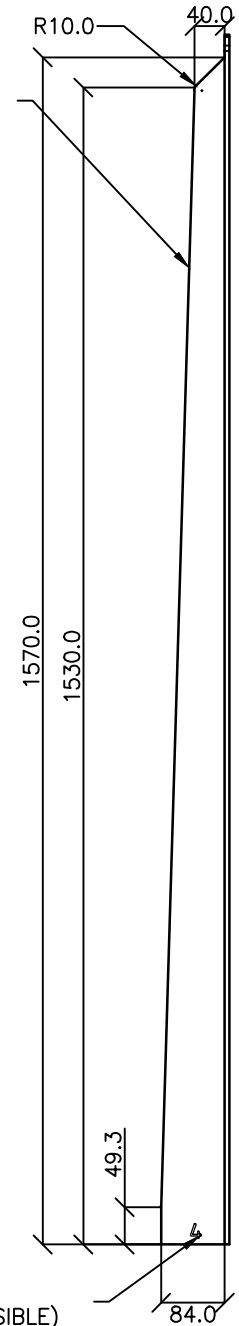


DETAIL G
KEYWAY DETAIL
SCALE 1 : 2

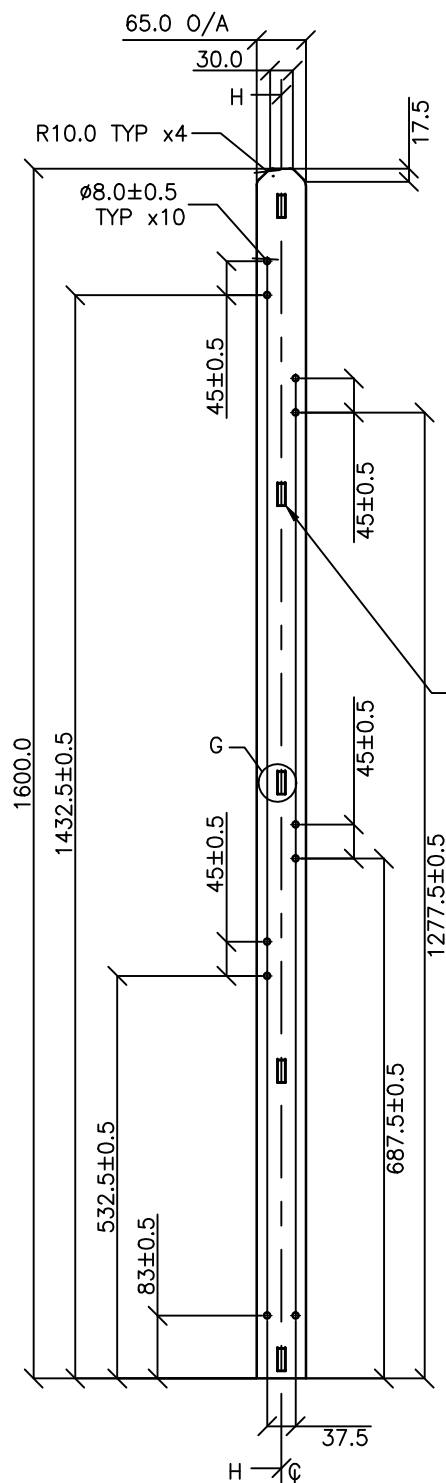


TOP VIEW

RADIUS ALL FORWARD
FACING EDGES (MIN
RADIUS 3MM)

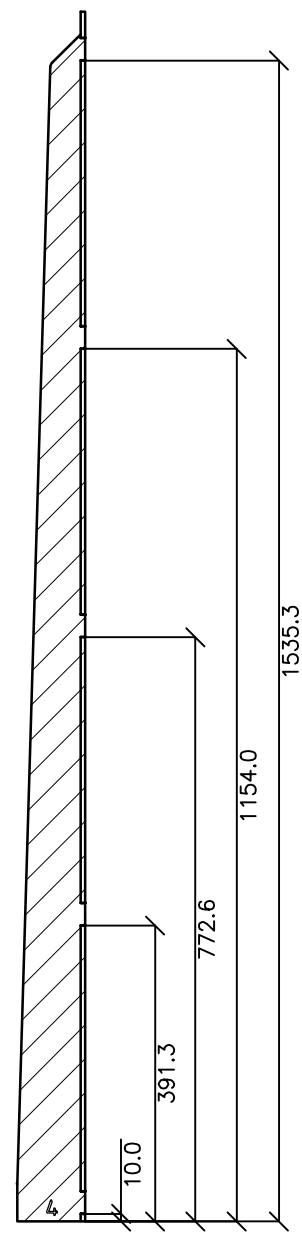


SIDE VIEW

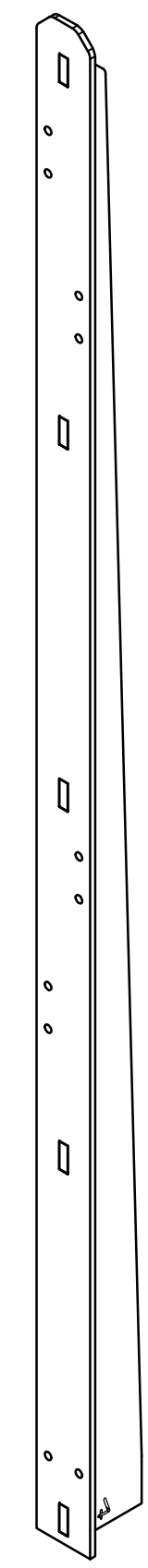


FRONT VIEW

KEYWAYS (5 TYP.) TO BE
FULLY WELDED (4mm FILLET)
AND FINISHED BACK FLUSH
PRIOR TO POWDER COATING.



SECTION H-H



PICTORIAL VIEW
SCALE 1:6

STANDARDS

DESIGNED IN ACCORDANCE WITH, AND
FABRICATION TO MEET THE FOLLOWING
STANDARDS:

- AS1428.4.1:2009, TACTILE GROUND SURFACE INDICATORS FOR THE ORIENTATION OF PEOPLE WITH VISION IMPAIRMENT.
- AS1627.4 METAL FINISHING – PREPARATION AND PRE-TREATMENT OF SURFACES – ABRASIVE BLAST CLEANING OF STEEL.
- AS2312:2002/AMDT 1:2004, GUIDE TO PROTECTION OF IRON AND STEEL AGAINST EXTERIOR ATMOSPHERIC CORROSION, 1994.
- GUIDE TO ENGINEERING PRACTICE, 'PEDESTRIANS', PART 13, AUSTRROADS. AUSTRALIAN ROAD RULES , 1999, WWW.NRTC.GOV.AU
- AS4506 –2005, METAL FINISHING– THERMOSET POWDER COATINGS.
- AS4680:2006, HOT DIP GALVANISING.
- AS1742.9–2000, MANUAL OF UNIFORM TRAFFIC CONTROL DEVICES, 'BICYCLE FACILITIES'
- GUIDE TO ENGINEERING PRACTICE, 'BICYCLES', PART 14, AUSTRROADS. AUSTRALIAN ROAD RULES , 1999, WWW.NRTC.GOV.AU
- AS2890.3–1993 PARKING FACILITIES PART 3
- AS 1742.9– 2000 MANUAL OF UNIFORM TRAFFIC CONTROL DEVICES PART 9: BIKE FACILITIES

NOTES

- WELDING TO BE ACCORDANCE TO AS1554.1 CAT GP WELDING, ALL SHARP EDGES & BURRS REMOVED.
- PART SHOULD BE SUPPLIED CLEAN AND FREE FROM MARKS, BURRS, SCUFFS, DISTORTION AND WARPAGE.
- ENSURE ANTI-SEIZE IS ON ALL NUTS AND BOLTS PRIOR TO ASSEMBLY.
- DRAWING TO AS1100 DRAWING STANDARDS.
- 316 S.S AND 316 S.S FASTENERS TO BE USED THROUGHOUT FOR COASTAL INSTALLATIONS OR ANY ENVIRONMENT WITH HIGH CORROSION.
- ALL TOLERANCES ± 1.5mm UNLESS OTHERWISE SPECIFIED.

MATERIAL

- MATERIAL: MILD STEEL
- COLOUR: 'DULUX' METROPOLIS 'STORM PEARL' OR APPROVED EQUIVALENT
- FINISH: GALVANISED AND POWDER COATED

**STRUCTURAL DESIGN REVIEWED AND
CERTIFIED FOR ISSUE**

NAME: B.C. PLANT RPEQ: 8807
SIGNATURE: ON ORIGINAL DATE: 28/6/12

LASER CUT OR
STAMPED NUMBER "3"
(MUST BE CLEARLY VISIBLE)

ISSUE	AMENDMENT	DRAWN DATE	CHK'D DATE	APPR'D DATE
C	Colour Finish Requirements Updated (Material Notes)	MAY '17	MAY '17	MAY '17
B	Drawing Title Amended	FEB '16	JUL '16	JUL '16
A	Drawing Covered From UMS Series April 2014	APR '14	APR '14	APR '14

DRAWING AUTHORISED FOR PUBLICATION INGA CONDRIE AUTHORISED 15/04/2014			
DESIGN	FORMZOO DESIGN	DATE	June '12
DRAWN	AB	DATE	June '12
CHECKED	VM	DATE	04/13
DRAWING FILENAME	BSD-9072 (B) Tree guard - No 4 upright - Sheet 5 of 8.dwg		
ASSOCIATED PLANS	SUPERSEDES UMS 520 Series		



BRISBANE CITY COUNCIL STANDARD DRAWING	
TREE GUARD NO 4 UPRIGHT SHEET 5 OF 8	
SCALE 1:10	DWG No. BSD-9072
ORIGINAL SIZE A3	REVISION C