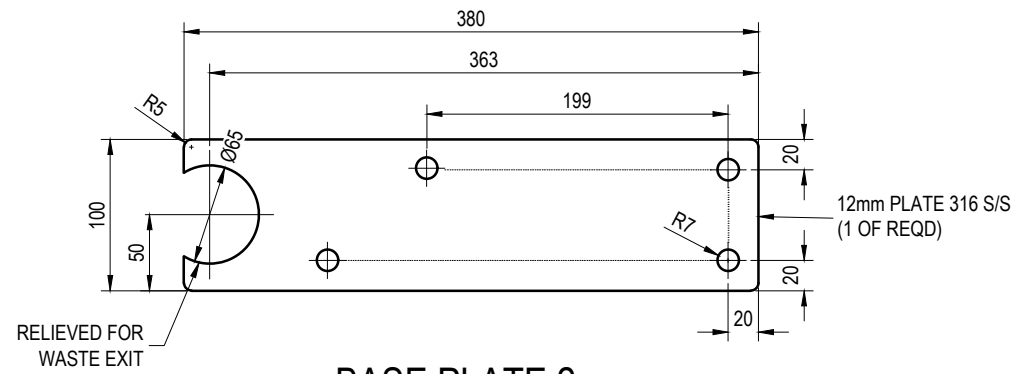
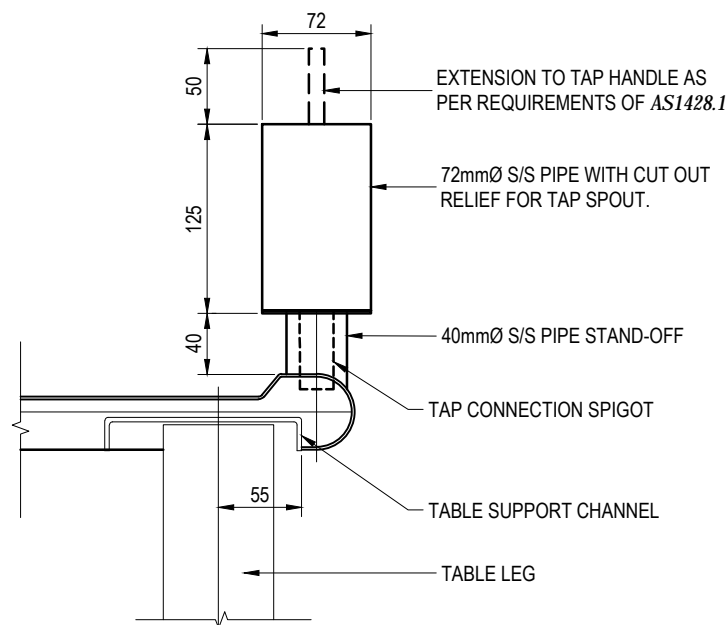


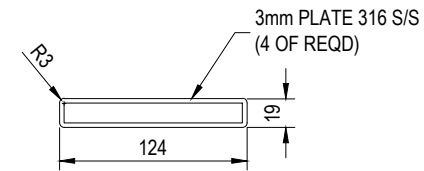
**BASE PLATE 1**  
SCALE 1:5



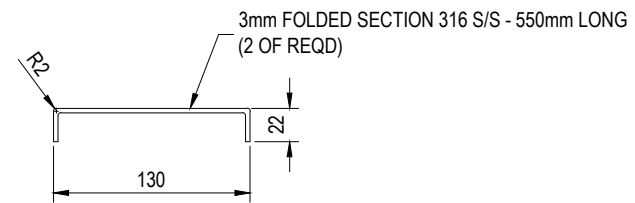
**BASE PLATE 2**  
SCALE 1:5



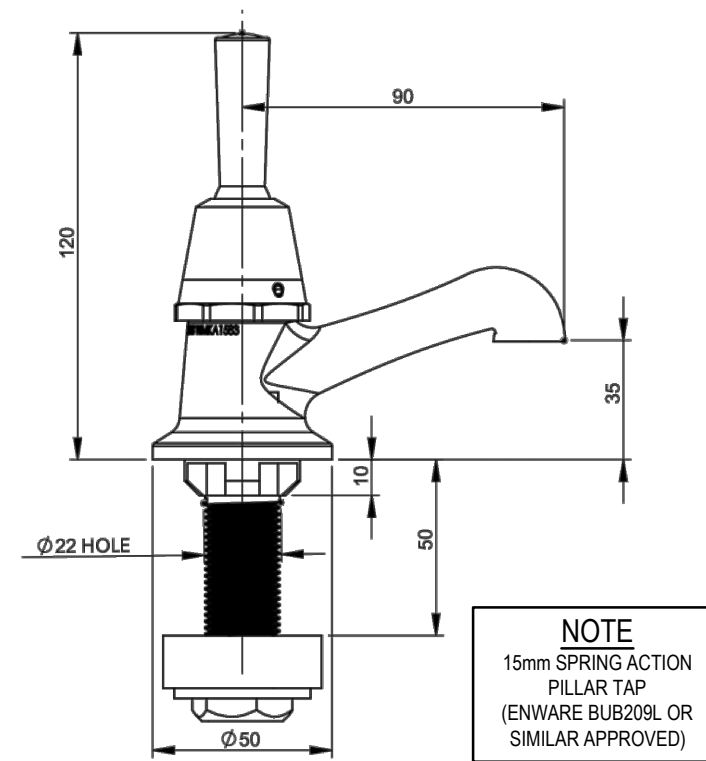
**TAP MOUNT DETAIL**  
SCALE 1:5



**TABLE SUPPORT CHANNEL - END CAP**  
SCALE 1:5



**TABLE SUPPORT CHANNEL**  
SCALE 1:5



**TAP DIMENSIONS**  
(EXAMPLE: ENWARE - MODEL BUB209L)  
SCALE 1:2.5

ISSUE	AMENDMENT	DRAWN DATE	CHK'D DATE	APPR'D DATE
C	Details and Dimensions Corrected, DDA Compliance for Tap Added	DEC '18	APR '19	APR '19
B	Drawing Title Amended	FEB '16	JUL '16	JUL '16
A	ORIGINAL ISSUE	DEC '14	DEC '14	DEC '14

**DRAWING AUTHORISED FOR PUBLICATION**  
Inga Condric  
2019.06.04 15:33:44+10'00'  
for ASSET ENGINEERING MANAGER  
STRATEGIC ASSET MANAGEMENT  
**DESIGN APPROVED**  
C. Wood  
SENIOR CO-ORDINATOR NATURAL ENVIRONMENT  
ASSET SERVICES/BRISBANE INFRASTRUCTURE

DESIGN	CPO - P&D	DATE	DEC '14
DRAWN	CPO - P&D	DATE	DEC '14
CHECKED	BI - FSG - AS	DATE	DEC '14
DRAWING FILENAME	BSD-10262 (C) Fish cleaning table - Details - Sheet 2 of 2.dwg		
ASSOCIATED PLANS	BSD-10262-Sheet 1		



BRISBANE CITY COUNCIL STANDARD DRAWING	
FISH CLEANING TABLE DETAILS SHEET 2 OF 2	
SCALE AS SHOWN	REVISION C
DWG No. BSD-10262	ORIGINAL SIZE A3