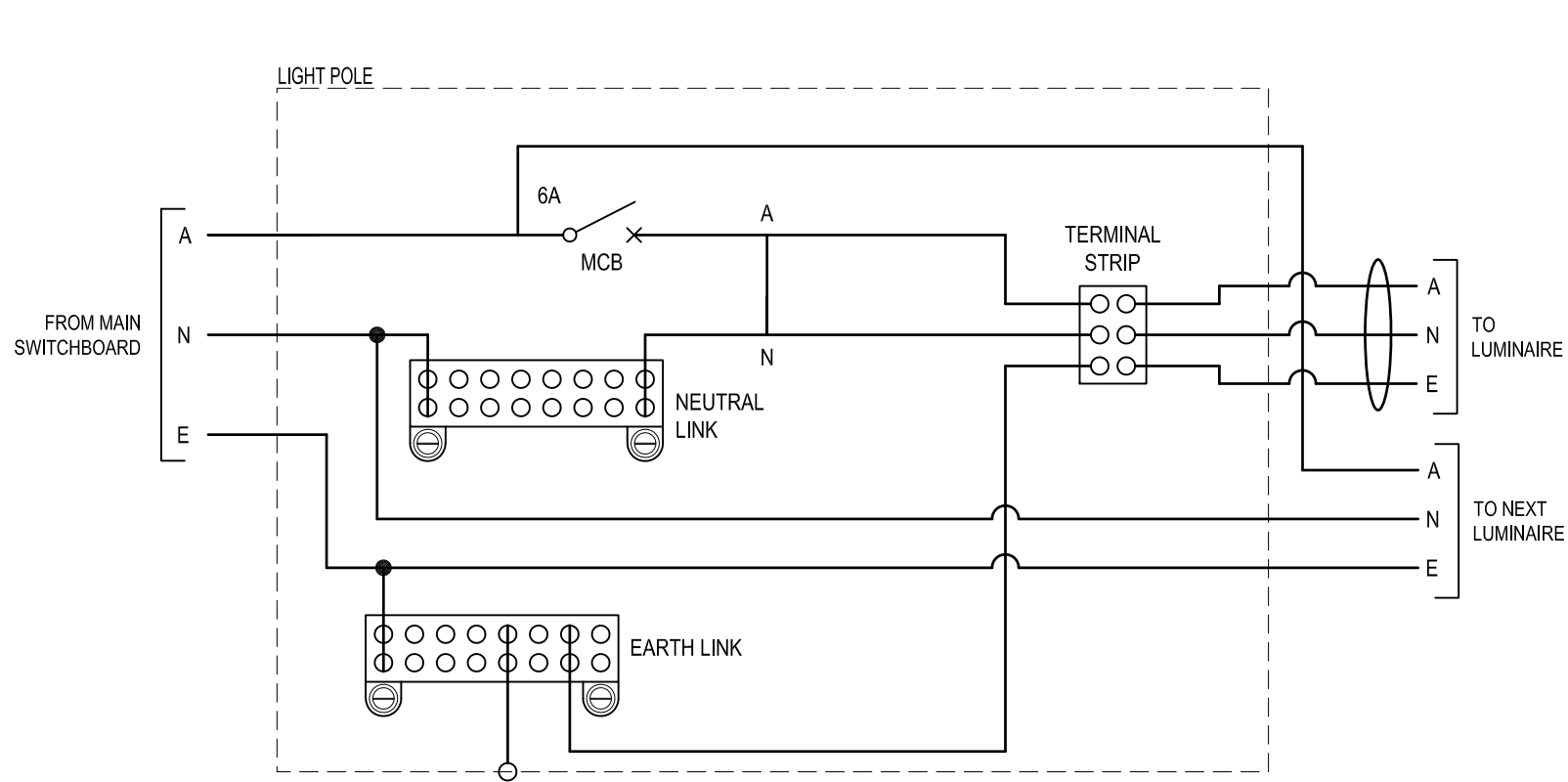


EQUIPMENT LIST

ITEM	DESCRIPTION
MINIATURE CIRCUIT BREAKER (MCB)	6 AMP - DIN RAIL MOUNTED - 10kA - CLIPSAL OR EQUAL APPROVED
NEUTRAL LINK	INSULATED BASE TYPE - 16mm ² TERMINALS - 1 MEN + 6 - 2 SCREW TYPE - 100 AMP RATING
EARTH LINK	16mm ² TERMINALS - 1 MEN + 6 - 2 SCREW TYPE - 100 AMP RATING
TERMINAL STRIP	15 AMP - INSULATED TYPE - 2 SCREW TYPE - CLIPSAL OR EQUAL APPROVED

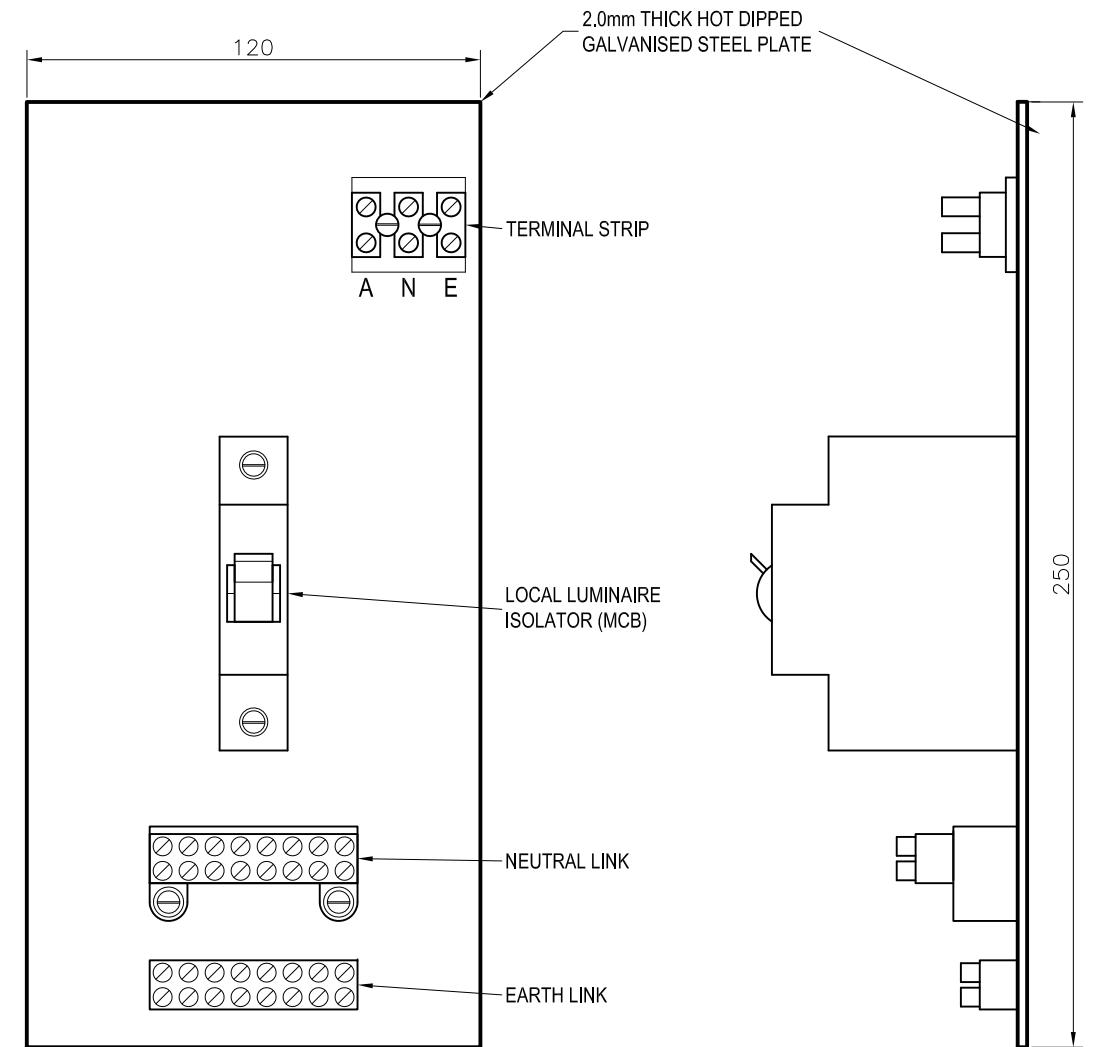


WIRING SCHEMATIC

NOT TO SCALE

NOTES

1. ELECTRICAL INSTALLATION SHALL COMPLY WITH AS/NZS.3000.
2. THE ELECTRICAL CONDUIT INSTALLED PARALLEL TO THE PROPERTY BOUNDARY IS TO BE POSITIONED WITHIN THE 0 - 900mm UNDERGROUND ELECTRICITY ALIGNMENT WITH A MINIMUM CLEARANCE OF 100mm FROM OTHER ELECTRICAL CONDUITS, AND LOCATED ON THE ROADWAY SIDE OF THE 0 - 900mm UNDERGROUND ELECTRICITY ALIGNMENT. REFER TO BRISBANE CITY COUNCIL STANDARD DRAWINGS BSD-1013 TO BSD-1016 FOR FURTHER DETAILS.
3. MAIN SWITCHBOARDS AND CONTROL PANELS CAN BE PURCHASED FROM BRISBANE CITY COUNCIL. CONTACT CITY LIGHTING SECTION ON TELEPHONE No. 07 3027 4404 TO ARRANGE.
4. ENDS OF CONDUITS ARE TO BE SEALED WITH SILICON OR SIMILAR SUITABLE SEALANT TO PREVENT INGRESS OF VERMIN.
5. EXTERNAL BASE OF LIGHT POLE IS TO BE SEALED WITH MORTAR OR SIMILAR SUITABLE MATERIAL TO PREVENT INGRESS OF VERMIN.
6. ALL DIMENSIONS IN MILLIMETRES (U.N.O.).



CONTROL PANEL ARRANGEMENT

SCALE 1:25 (APPROX.)



BRISBANE CITY COUNCIL STANDARD DRAWING

PEDESTRIAN LIGHTING
CONTROL PANEL
ARRANGEMENT AND SCHEMATIC

PUBLISH DATE		NOV 2019
SCALE		AS SHOWN
DRAWING NUMBER		BSD-11002
ORIGINAL SIZE	REVISION	
A3	B	