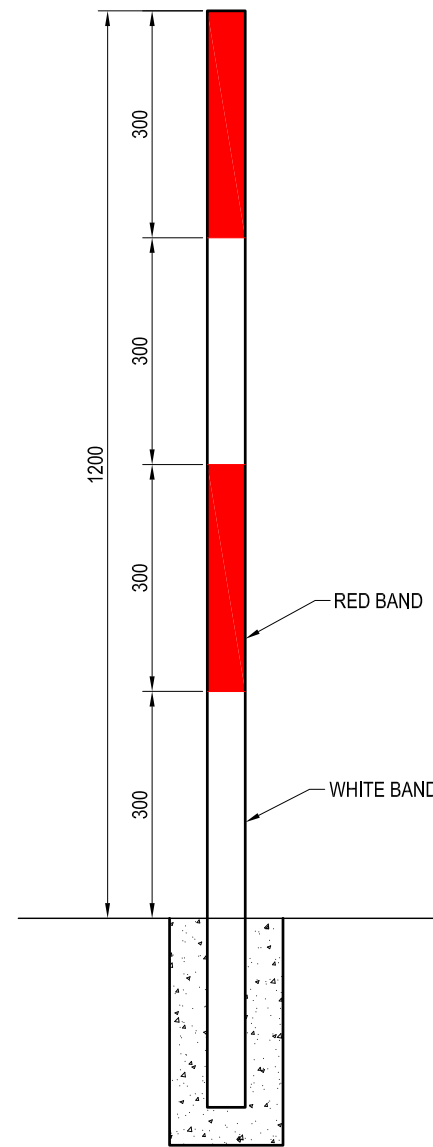
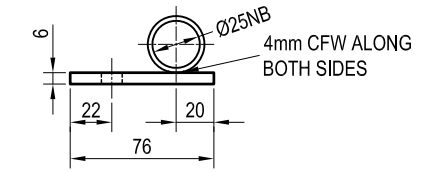


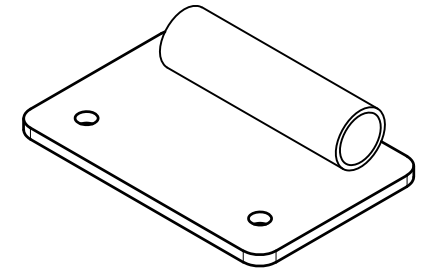
POST AND FLAG



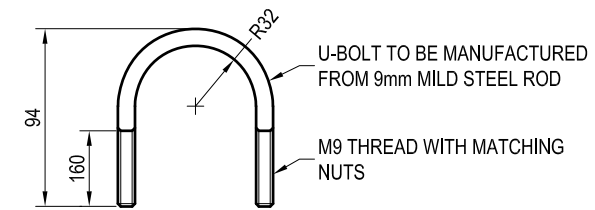
POST



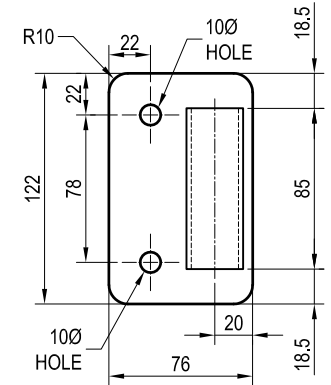
**FLAG BRACKET
END ELEVATION**



**FLAG BRACKET
ISOMETRIC VIEW**




**FLAG BRACKET
U-BOLT**



**FLAG BRACKET
PLAN VIEW**

NOTES:

1. POST TO BE 50NB.
2. ALTERNATE 300 WIDE BANDS OF WHITE (TWO OR THREE BANDS) AND RED (TWO OR THREE BANDS) OF REFLECTIVE TAPE TO BE CLASS 1A RETROREFLECTIVE SHEETING TO AS1906.2 APPLIED TO POST AS SHOWN.
3. THIS DRAWING TO BE READ IN CONJUNCTION WITH AS1742.10 AND THE QUEENSLAND MANUAL OF OF UNIFORM TRAFFIC CONTROL DEVICES (MUTCD) PART 10 (HARMONISED).
4. BRACKET TO BE HOT DIPPED GALVANISED PRIOR TO PAINTING WHITE.
5. U-BOLT TO BE MANUFACTURED FROM 9mm MILD STEEL ROD.
6. SUPPLY TAMPER PROOF NUTS TO U-BOLT.
7. ALTERNATIVE BRACKET AS PER DTMR DRAWING TC9472 MAY BE USED.
8. ALL DIMENSIONS IN MILLIMETRES (U.N.O.).

	BRISBANE CITY COUNCIL STANDARD DRAWING		PUBLISH DATE NOV 2019	
	SCHOOL CROSSING POST, FLAG AND BRACKET		SCALE NOT TO SCALE	
			DRAWING NUMBER BSD-5251	
			ORIGINAL SIZE A3	REVISION B